

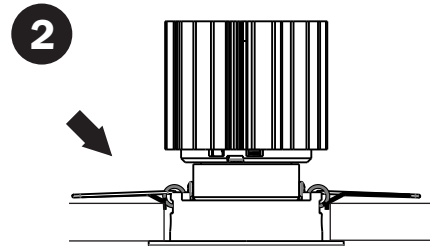
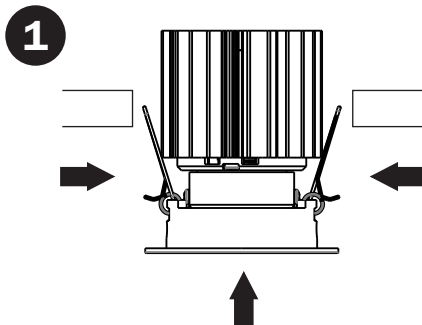
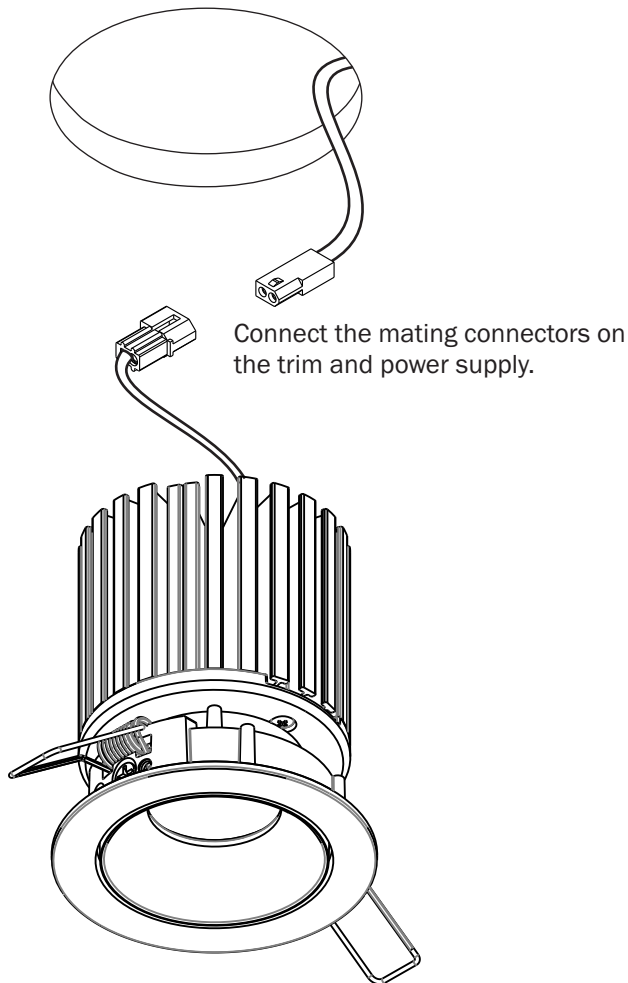
Install Guide



PURIST-2" ROUND T2RF/RA/RP-T ROUND TRIMMED & TRIMLESS WOOD INSTALLATION

WARNING: TURN OFF POWER before connecting trim. Failure to do so may cause LED Failure.

This LED device can only be connected to DRC-T2 Remodel drivers.



NOTE: TRIMLESS WOOD IS FLUSH WITH CEILING. SLIGHTLY DIFFERENT THAN DIAGRAM.

Purist-T2-Installation • Subject to change without notice • REV 2023.05.11

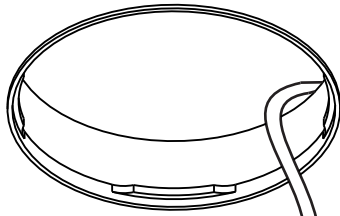
Install Guide



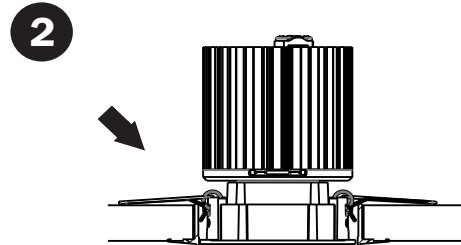
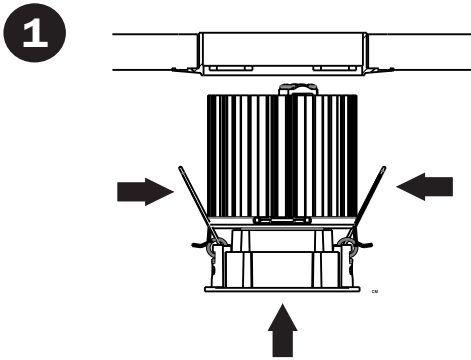
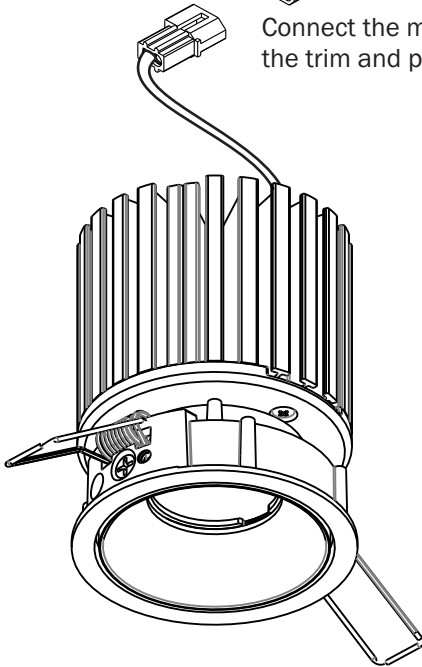
PURIST-2" ROUND T2RF/RA/RP-TL ROUND TRIMLESS INSTALLATION

WARNING: TURN OFF POWER before connecting trim. Failure to do so may cause LED Failure.

This LED device can only be connected to DRC-T2 Remodel drivers.



Connect the mating connectors on the trim and power supply.



Purist-T2-Installation • Subject to change without notice • REV 2023.05.11

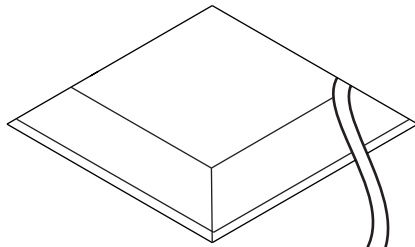
Install Guide



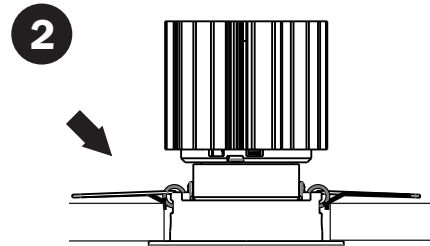
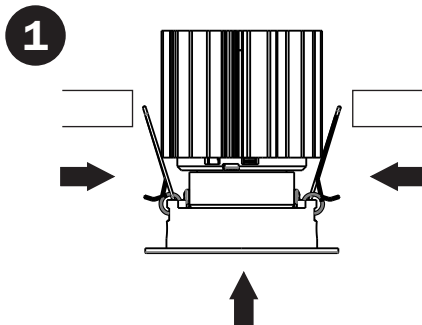
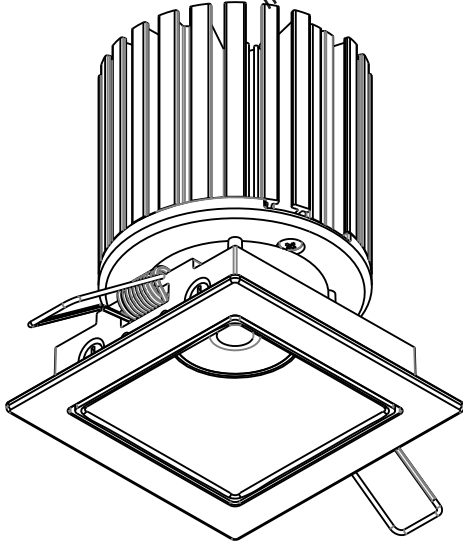
PURIST-2" SQUARE T2SF/SA/SP-T SQUARE TRIMMED & TRIMLESS WOOD INSTALLATION

WARNING: TURN OFF POWER before connecting trim. Failure to do so may cause LED Failure.

This LED device can only be connected to DRC-T2 Remodel drivers.



Connect the mating connectors on the trim and power supply.



NOTE: TRIMLESS WOOD IS FLUSH WITH CEILING. SLIGHTLY DIFFERENT THAN DIAGRAM.

Purist-T2-Installation • Subject to change without notice • REV 2023.05.11

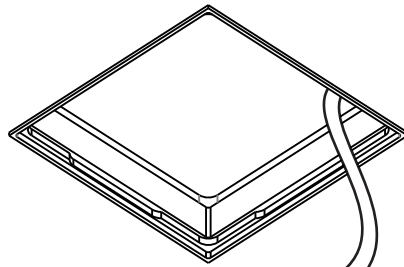
Install Guide



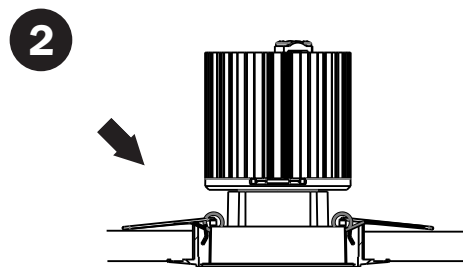
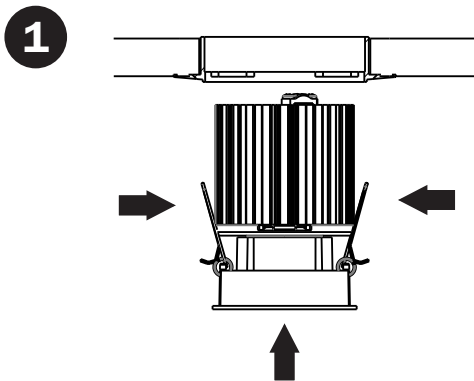
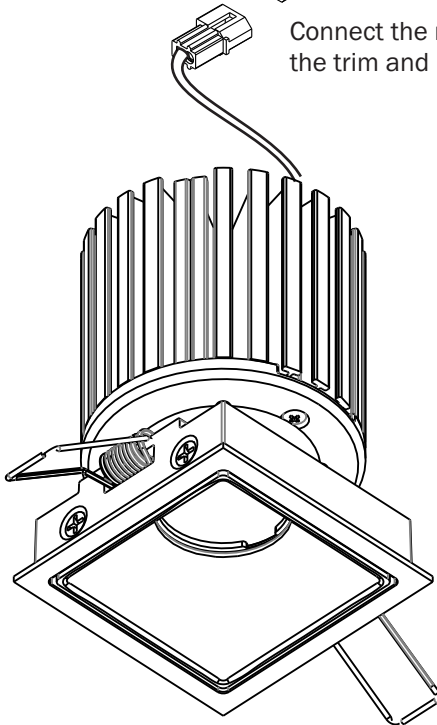
PURIST-2" SQUARE T2SF/SA/SP SQUARE TRIMLESS INSTALLATION

WARNING: TURN OFF POWER before connecting trim. Failure to do so may cause LED Failure.

This LED device can only be connected to DRC-T2 Remodel drivers.



Connect the mating connectors on the trim and power supply.



Purist-T2-Installation • Subject to change without notice • REV 2023.05.11

Install Guide

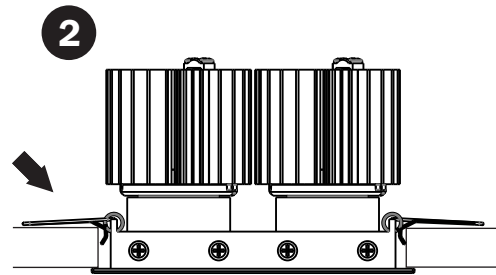
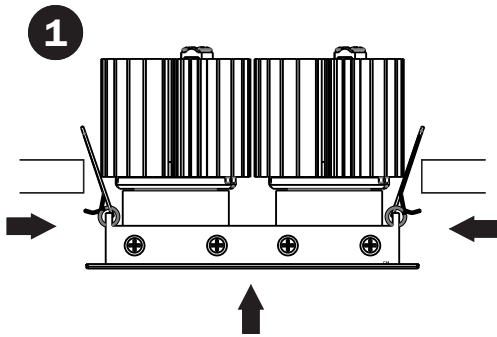
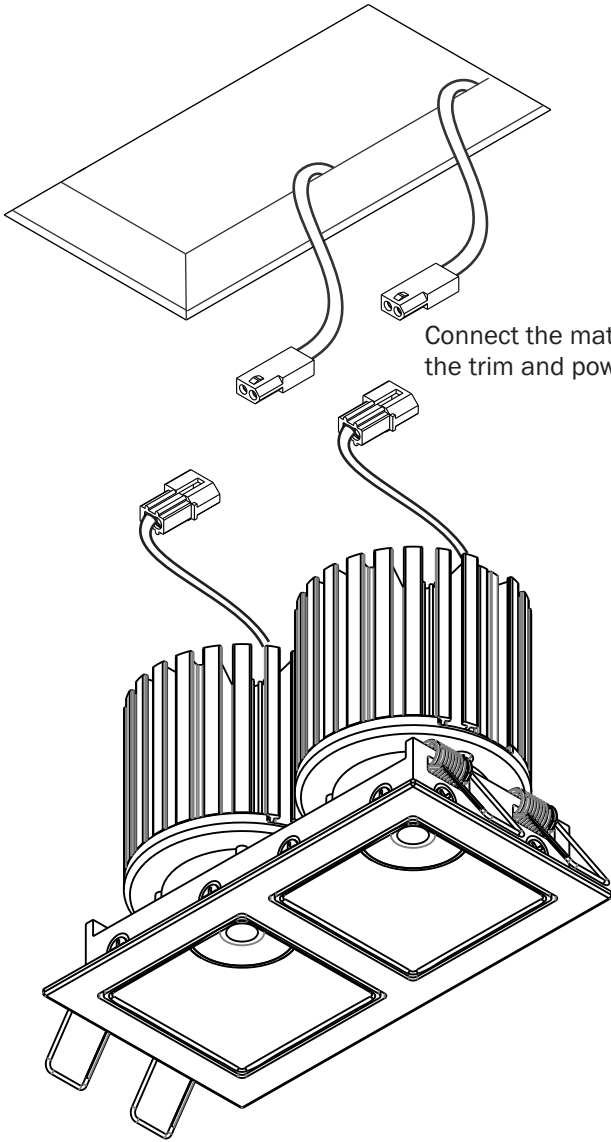


PURIST-2" SQUARE T2SF-2T TRIMMED INSTALLATION

WARNING: TURN OFF POWER before connecting trim. Failure to do so may cause LED Failure.

This LED device can only be connected to DRC-T2 Remodel drivers.

Connect the mating connectors on the trim and power supply.

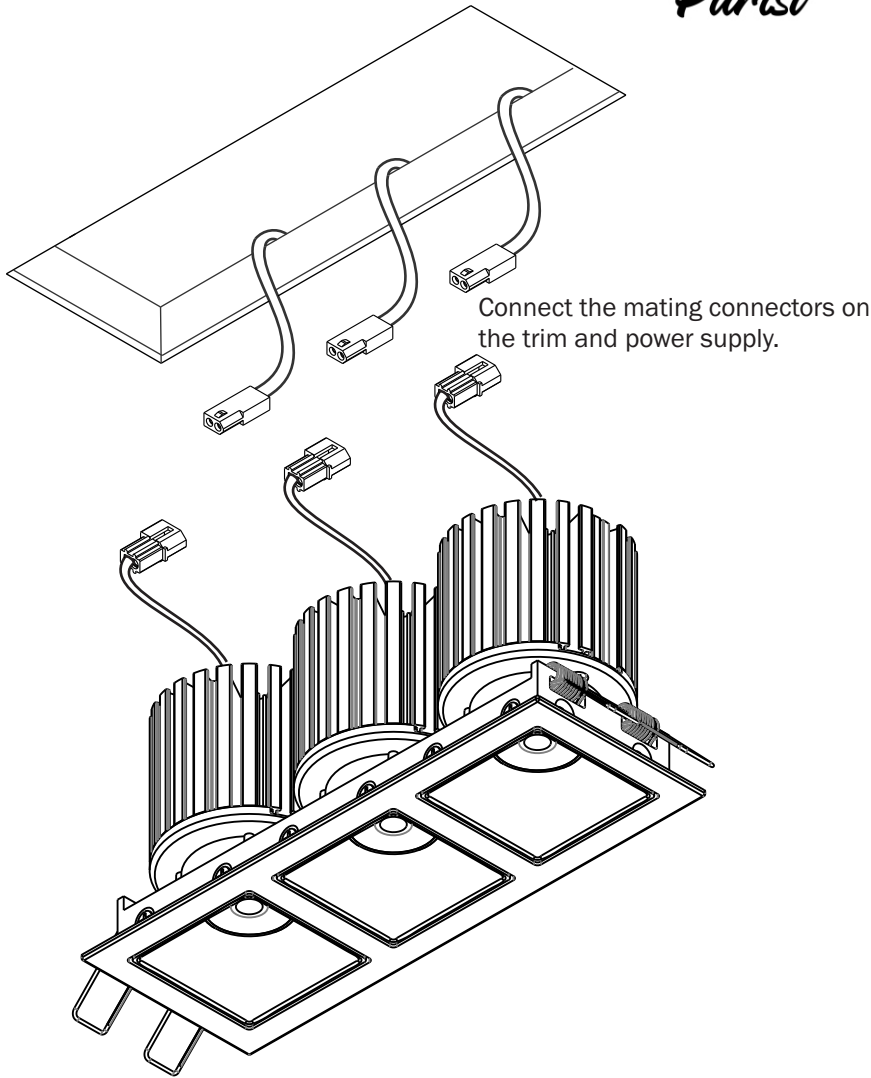


Purist-T2-Installation • Subject to change without notice • REV 2023.05.11

Install Guide

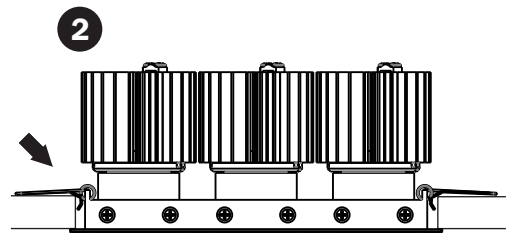
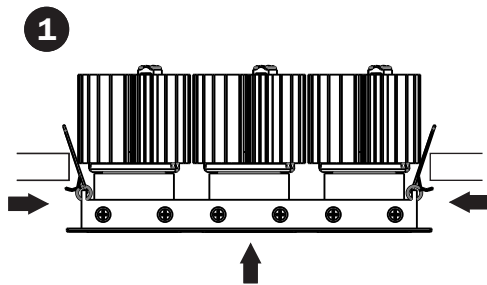


PURIST-2" SQUARE T2SF-3T TRIMMED INSTALLATION



WARNING: TURN OFF POWER before connecting trim. Failure to do so may cause LED Failure.

This LED device can only be connected to DRC-T2 Remodel drivers.



Purist-T2-Installation • Subject to change without notice • REV 2023.05.11

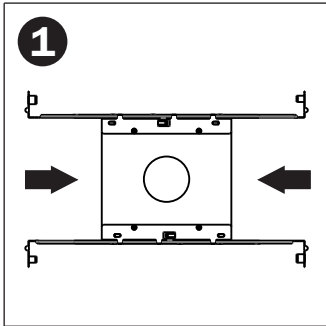
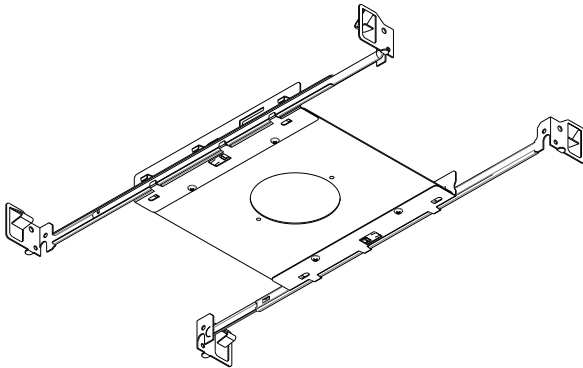
Install Guide



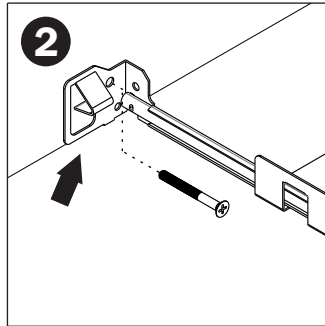
PURIST-T2 R2P-F-R-T NON-I/C ROUND TRIMMED HOUSING

This product must be installed in accordance with the applicable code by a person familiar with the construction and operation of the product and the hazards involved. Read all of these instructions before installing.

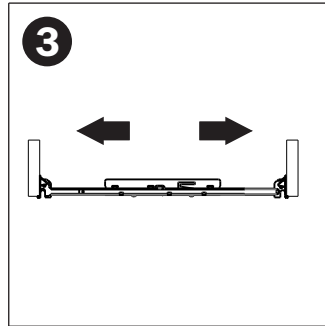
WARNING: Rated for non-insulated ceilings only (non IC rated)
WARNING: Disconnect power prior to servicing or installing.



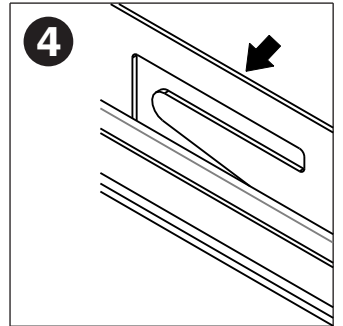
Slide hanging bars onto housing base plate.



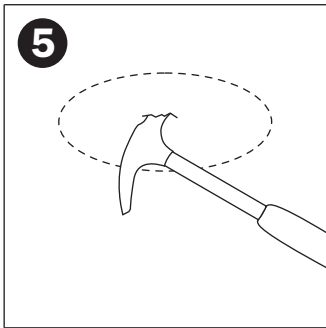
Line up bottom edge of hanging bars with bottom of wood joist and hammer in tabs. Nail or screw hanging bars into place.



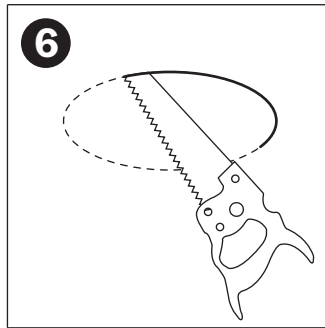
Position trim hole to desired location by sliding baseplate.



To hold housing in place, bend tab with pliers into hanging bar.



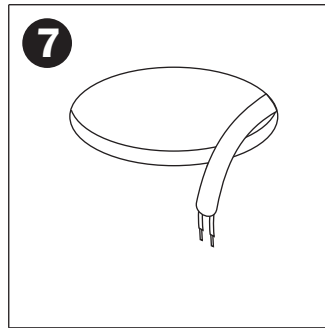
Mark approximate fixture location in ceiling.



Cut open using baseplate hole as your guide. **Except Trimless wood baseplate (R2P-F-R-TLW). Hole size is different than baseplate.**

Trimmed: 2-5/8" DIA.
[66.7mm]

Trimless: 2-7/8" DIA.
[73mm]



Caution: Careful attention should be made to cut within the hole diameter for the best fit.

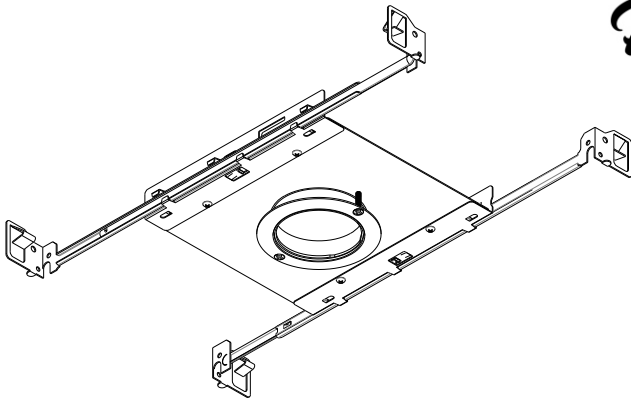
Pull electrical wire through newly cutout hole.

Purist-T2-Installation • Subject to change without notice • REV 2023.05.11

Install Guide

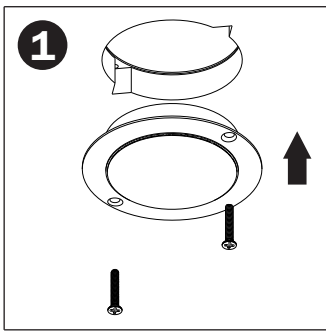


PURIST-T2 R2P-F-R-TL NON-I/C ROUND TRIMLESS HOUSING

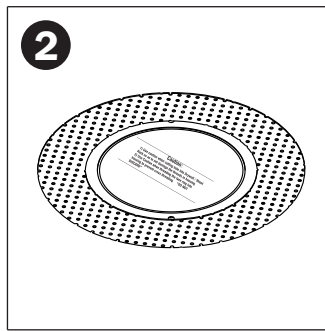


This product must be installed in accordance with the applicable code by a person familiar with the construction and operation of the product and the hazards involved. Read all of these instructions before installing.

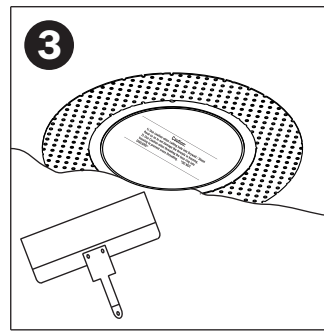
WARNING: Rated for non-insulated ceilings only (non IC rated)
WARNING: Disconnect power prior to servicing or installing.



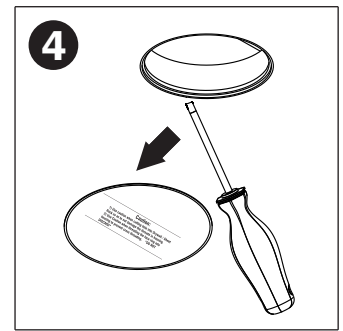
1 See R2P-F-R-T for baseplate mounting (steps 1-7). After drywall is cutout, cut notches to expose mounting holes on housing baseplate and install trimless frame with screws provided.



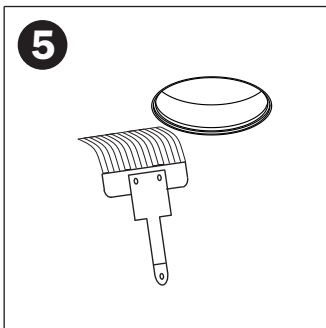
2 Apply factory supplied fibre mesh over trim collar edge. Insert cardboard cover into opening



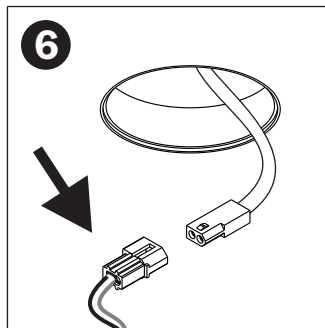
3 Apply thin coat of plaster mud onto trim collar and fibre mesh, using collar lip as the height guide. For best results feather mud 12" from edge of lip



4 Remove cardboard cover. Use a small screwdriver to clean the inside lip of the trim collar of any excess drywall mud



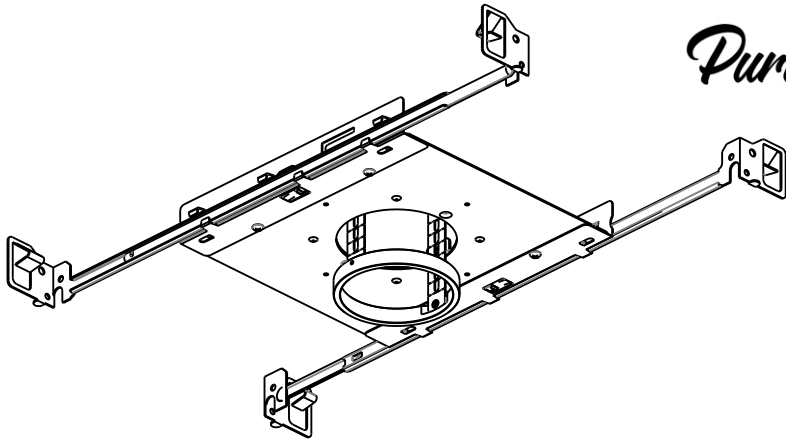
5 Paint ceiling. Excess paint on inside edge of ring may restrict the trim from sitting flat



6 Connector hangs through hole until completion. Mate connectors.

Purist-T2-Installation • Subject to change without notice • REV 2023.05.11

Install Guide



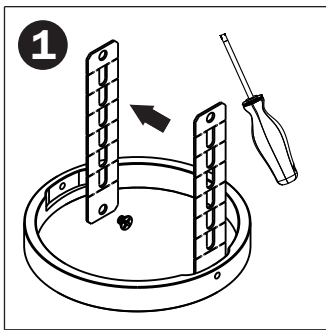
Purist™

PURIST-T2 R2P-F-R-TLW NON-I/C ROUND TRIMLESS WOOD HOUSING

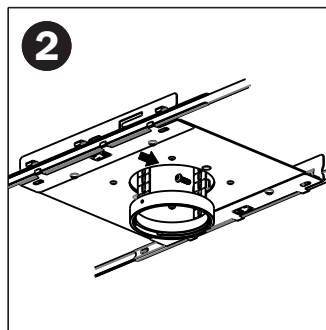
This product must be installed in accordance with the applicable code by a person familiar with the construction and operation of the product and the hazards involved. Read all of these instructions before installing.

WARNING: Rated for non-insulated ceilings only (non IC rated)

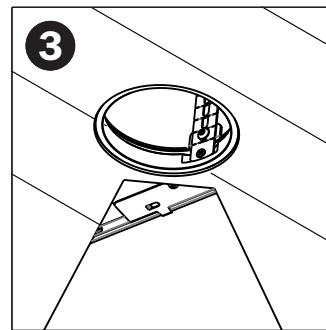
WARNING: Disconnect power prior to servicing or installing.



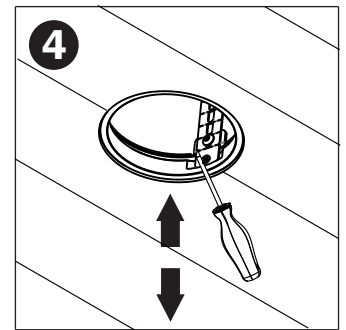
1
See R2P-F-R-T for baseplate mounting (steps 1-4). Use provided machine screws to assemble extension arms to adapter ring.



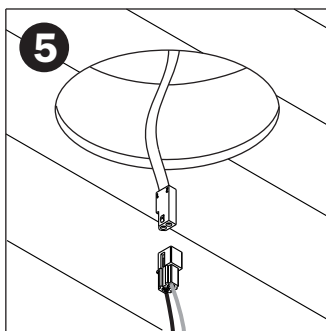
2
Place trim ring assembly inside of baseplate. Utilize slots on extension arms which fit best with wood thickness. Assemble with provided hex machine screws to hold in place.



3
Install wood ceiling. Hole size **3-1/32" to 3-1/16"** Diameter. Can use adapter ring as template. **Do not use baseplate as hole template.**



4
Adjust transition ring height by loosening the 2 hex machine screws to make ring recess by 1/16". Trim will be flush with ceiling once installed.



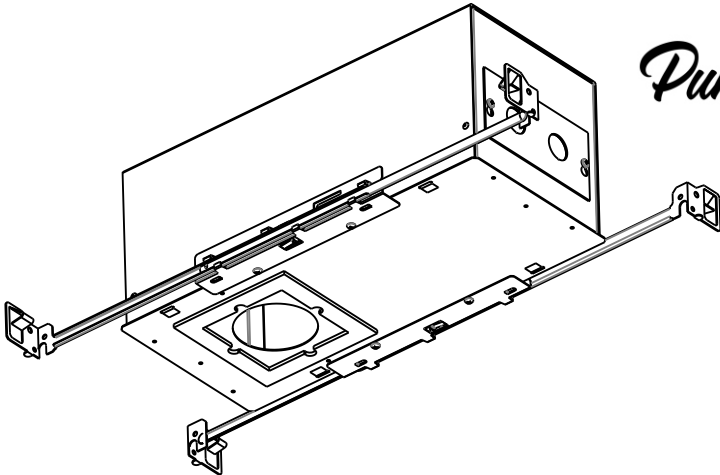
5
Connector hangs through hole until completion. Insert mating connector from trim and install trim into ceiling.

Purist-T2-Installation • Subject to change without notice • REV 2023.05.11

Install Guide



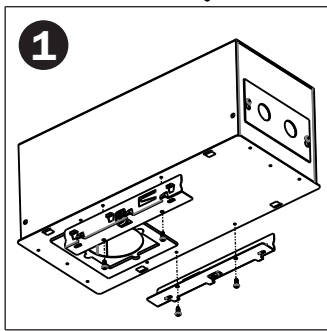
PURIST-T2 R2P-ICxA-R-T 1/C ROUND TRIMMED HOUSING



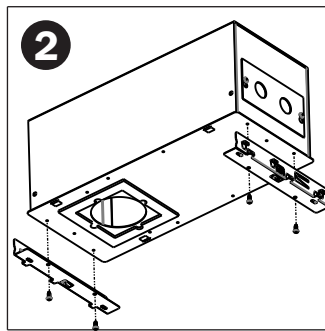
This product must be installed in accordance with the applicable code by a person familiar with the construction and operation of the product and the hazards involved. Read all of these instructions before installing.

WARNING: Rated for insulated ceilings only (IC rated)

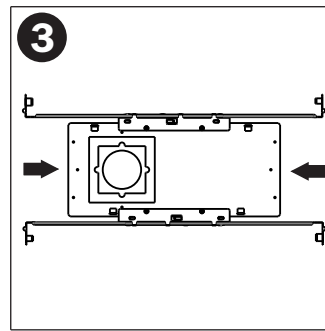
WARNING: Disconnect power prior to servicing or installing.



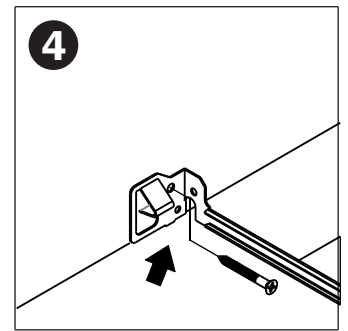
1
Horizontal mount use provided sheet metal screws.



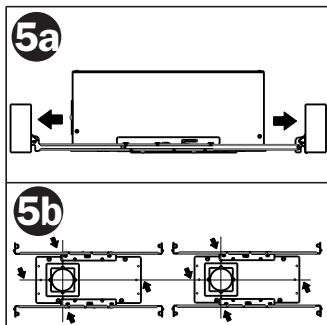
2
Optional Vertical mount. Align holes and use same screws.



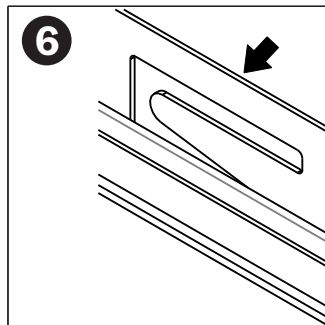
3
Slide hanging bars onto housing base plate



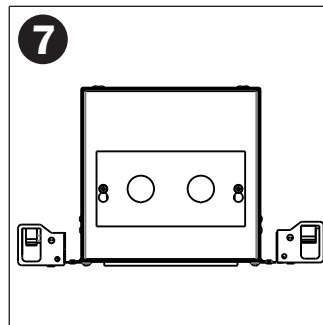
4
Line up bottom edge of hanging bars with bottom of wood joist and hammer in tabs. Nail or screw hanging bars into place



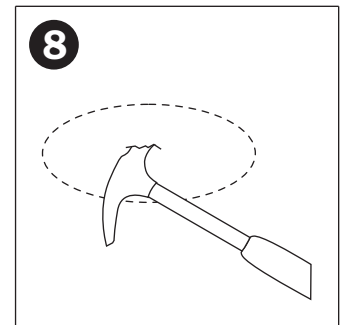
5a – Position trim hole to desired location by sliding housing
5b – Use centering holes on either side of base plate to line up a row of fixtures



6
To lock baseplate in place, bend tab with pliers over hanging bar.



7
Remove the Knock outs and make appropriate electrical connections.
See Dimming Instruction Diagram.



8
Mark approximate fixture location in ceiling

Purist-T2-Installation • Subject to change without notice • REV 2023.05.11

Install Guide

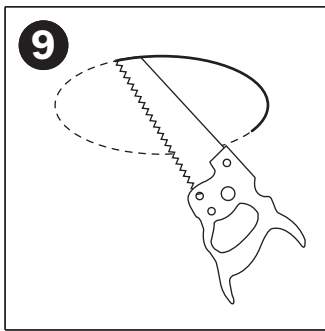


PURIST-T2
R2P-ICxA-R-T
I/C ROUND
TRIMMED HOUSING

This product must be installed in accordance with the applicable code by a person familiar with the construction and operation of the product and the hazards involved. Read all of these instructions before installing.

WARNING: Rated for insulated ceilings only (IC rated)

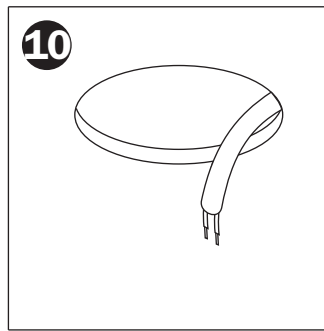
WARNING: Disconnect power prior to servicing or installing.



Cut open using baseplate hole as your guide. **Except Trimless wood baseplate (R2P-ICxA-R-TLW). Hole size is different than baseplate.**

Trimmed: 2-5/8" DIA.
[66.7mm]

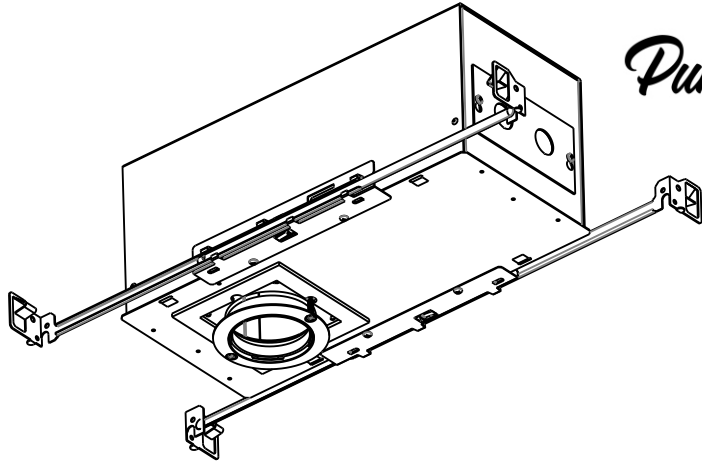
Trimless: 2-7/8" DIA.
[73mm]



Caution: Careful attention should be made to cut within the hole diameter for the best fit
Pull electrical wire through

Purist-T2-Installation • Subject to change without notice • REV 2023.05.11

Install Guide



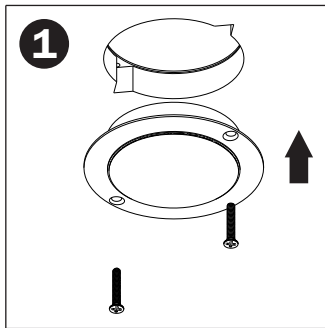
Purist™

PURIST-T2 R2P-ICxA-R-TL I/C ROUND TRIMLESS HOUSING

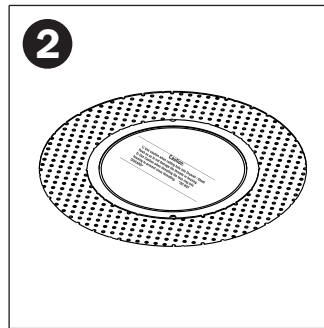
This product must be installed in accordance with the applicable code by a person familiar with the construction and operation of the product and the hazards involved. Read all of these instructions before installing.

WARNING: Rated for insulated ceilings only (IC rated)

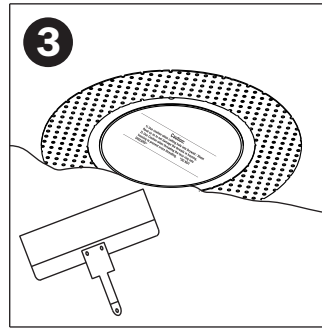
WARNING: Disconnect power prior to servicing or installing.



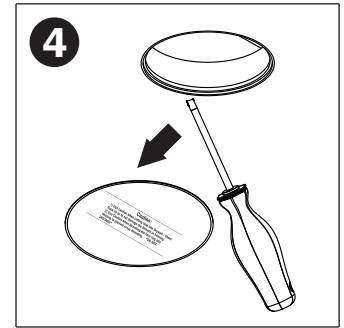
1
See R2P-ICxA-R-T (steps 1-10) for baseplate mounting. After drywall is cutout, cut notches to expose mounting holes on housing baseplate and install trimless frame with



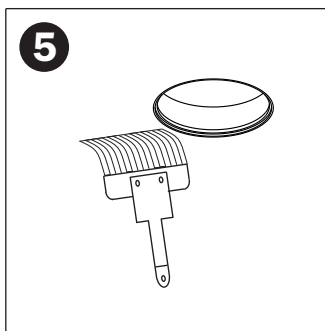
2
Apply factory supplied fibre mesh over trim collar edge. Insert cardboard cover into opening



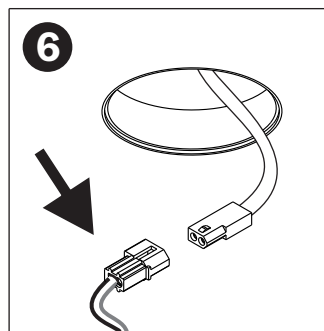
3
Apply thin coat of plaster mud onto trim collar and fibre mesh, using collar lip as the height guide. For best results feather mud 12" from edge of lip



4
Remove cardboard cover. Use a small screwdriver to clean the inside lip of the trim collar of any excess drywall mud



5
Paint ceiling. Excess paint on inside edge of ring may restrict the trim from sitting flat



6
Connector hangs through hole until completion. Mate connectors.

Purist-T2-Installation • Subject to change without notice • REV 2023.05.11

Install Guide

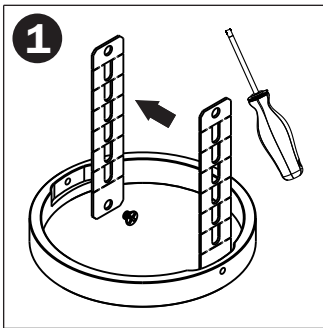
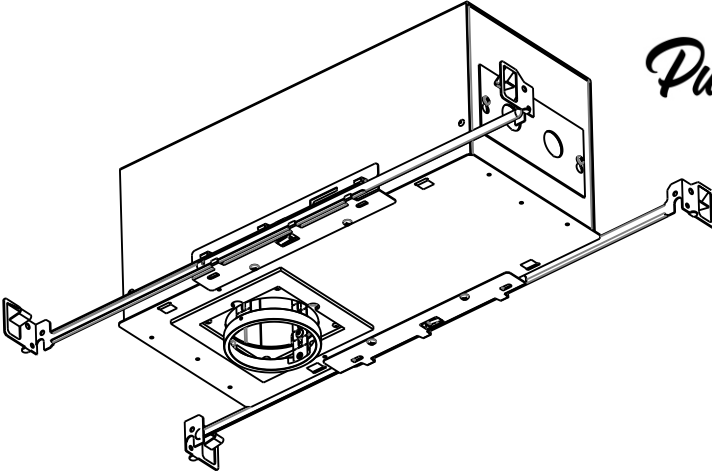


PURIST-T2 R2P-F-R-TLW I/C ROUND TRIMLESS WOOD HOUSING

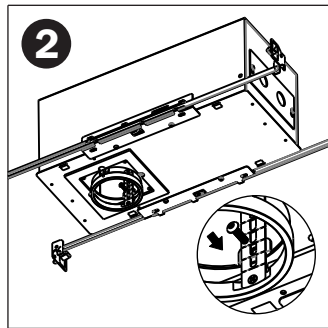
This product must be installed in accordance with the applicable code by a person familiar with the construction and operation of the product and the hazards involved. Read all of these instructions before installing.

WARNING: Rated for insulated ceilings only (IC rated)

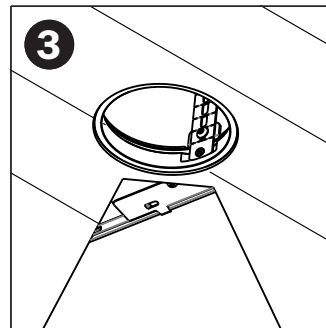
WARNING: Disconnect power prior to servicing or installing.



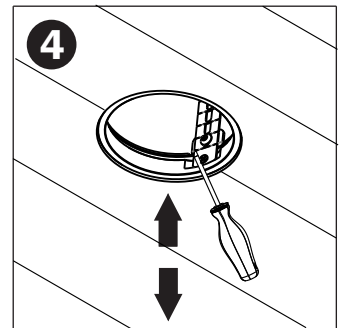
1 See R2P-ICxA-R-T (steps 1-7) for baseplate mounting. Use provided machine screws to assemble extension arms to adapter ring.



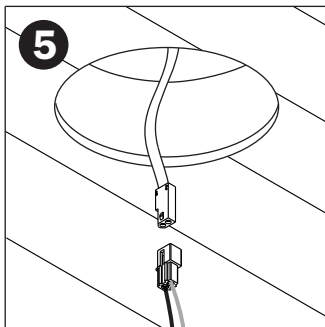
2 Place adapter ring assembly inside of baseplate. Utilize slots on extension arms which fit best with wood thickness. Assemble with provided hex machine screws to hold in place.



3 Install wood ceiling. Hole size **3-1/32" to 3-1/16"** Diameter. Can use adapter ring as template. **Do not use baseplate as hole template.**



4 Adjust transition ring height by loosening the 2 hex machine screws to make ring recess by 1/16". Trim will be flush with ceiling once installed.



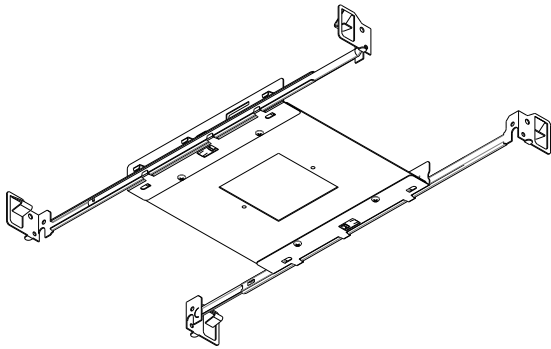
5 Connector hangs through hole until completion. Insert mating connector from trim and install trim into ceiling.

Purist-T2-Installation • Subject to change without notice • REV 2023.05.11

Install Guide

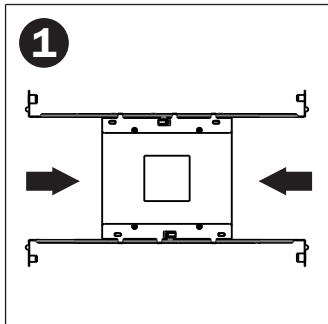


PURIST-T2 R2P-F-S-T NON-I/C SQUARE TRIMMED HOUSING

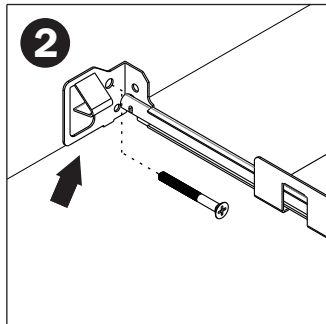


This product must be installed in accordance with the applicable code by a person familiar with the construction and operation of the product and the hazards involved. Read all of these instructions before installing.

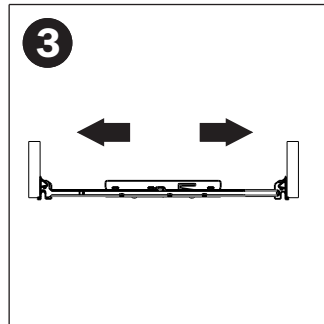
WARNING: Rated for non-insulated ceilings only (non IC rated)
WARNING: Disconnect power prior to servicing or installing.



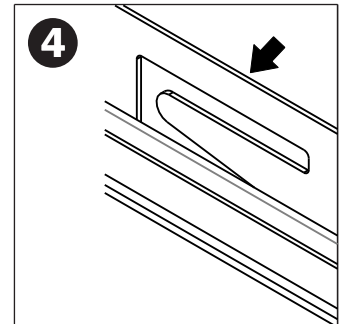
Slide hanging bars onto housing base plate.



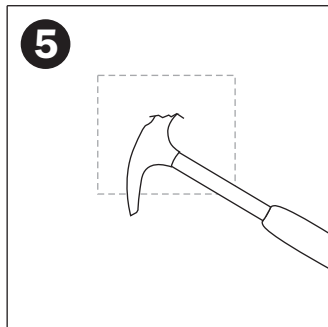
Line up bottom edge of hanging bars with bottom of wood joist and hammer in tabs. Nail or screw hanging bars into place.



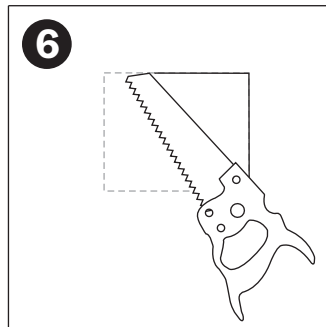
Position trim hole to desired location by sliding baseplate.



To hold housing in place, bend tab with pliers into hanging bar.



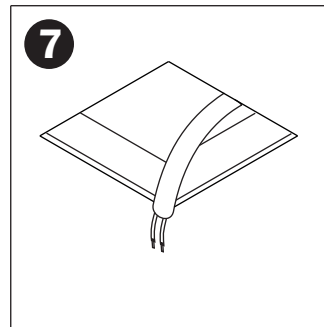
Mark approximate fixture location in ceiling.



Cut open using baseplate hole as your guide. Cut open using baseplate hole as your guide. **Except Trimless wood baseplate (R2P-F-S-TLW). Hole size is different than baseplate.**

Trimmed: 2-5/8" SQ.
[66.7mm]

Trimless: 2-7/8" SQ.
[73mm]



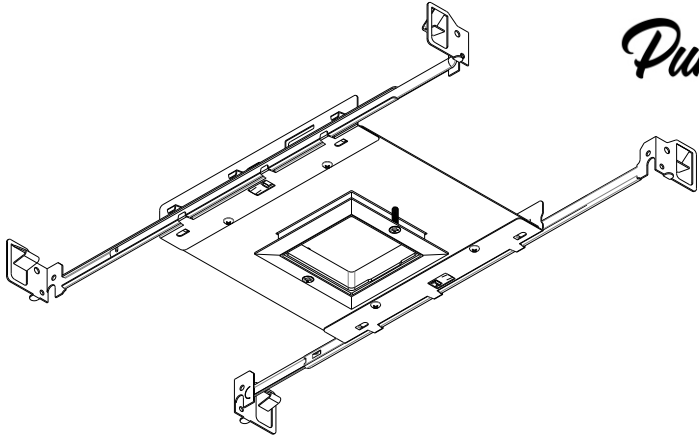
Caution: Careful attention should be made to cut within the hole size for the best fit
Pull electrical wire through newly cutout hole.

Purist-T2-Installation • Subject to change without notice • REV 2023.05.11

Install Guide

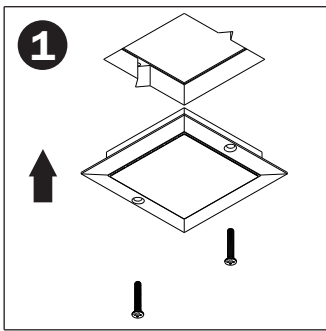


PURIST-T2 R2P-F-S-TL NON-I/C SQUARE TRIMLESS HOUSING

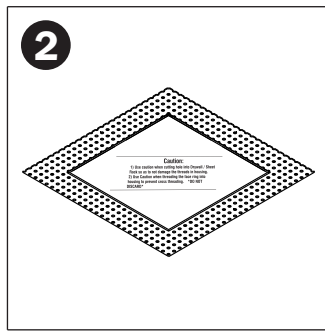


This product must be installed in accordance with the applicable code by a person familiar with the construction and operation of the product and the hazards involved. Read all of these instructions before installing.

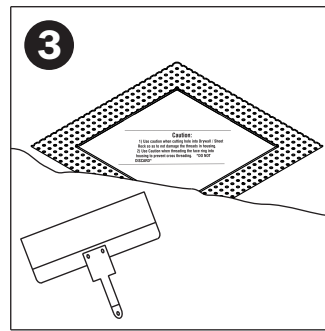
WARNING: Rated for non-insulated ceilings only (non IC rated)
WARNING: Disconnect power prior to servicing or installing.



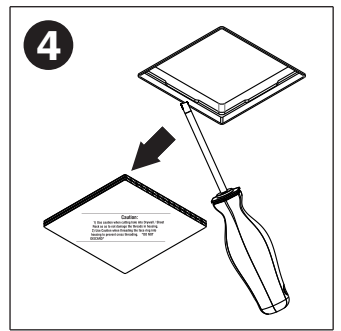
See R2P-F-S-T for baseplate mounting (steps 1-7). After drywall is cutout, cut notches to expose mounting holes on housing baseplate and install trimless frame with screws provided



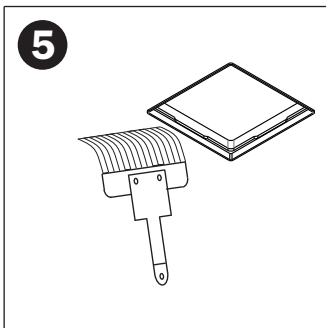
Apply factory supplied fibre mesh over trimless frame edge. Insert cardboard cover into opening



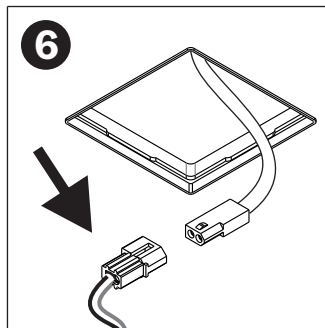
Apply thin coat of plaster mud onto trimless frame, using frame lip as the height guide. For best results feather mud 12" from hole edge



Remove cardboard cover. Use a small screwdriver to clean the inside lip of the trimless frame of any excess drywall mud



Paint ceiling. Excess paint on inside edge of frame may restrict the trim from sitting flat



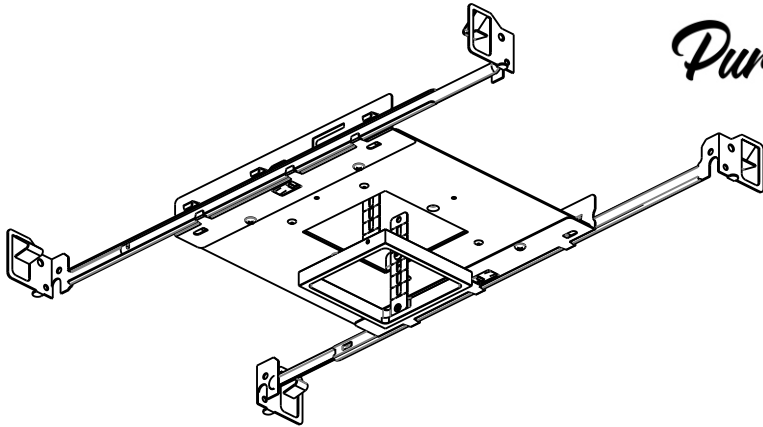
Connector hangs through hole until completion. Mate connectors.

Purist-T2-Installation • Subject to change without notice • REV 2023.05.11

Install Guide

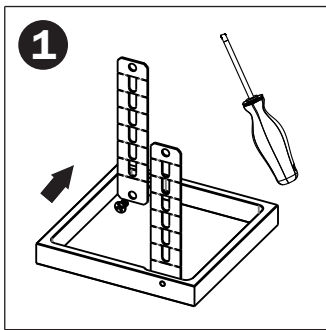


PURIST-T2 R2P-F-S-TLW NON-I/C SQUARE TRIMLESS WOOD HOUSING

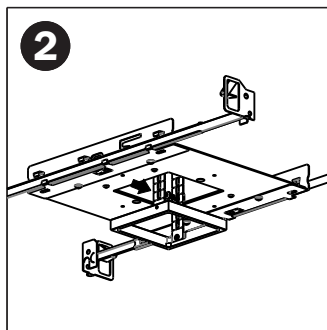


This product must be installed in accordance with the applicable code by a person familiar with the construction and operation of the product and the hazards involved. Read all of these instructions before installing.

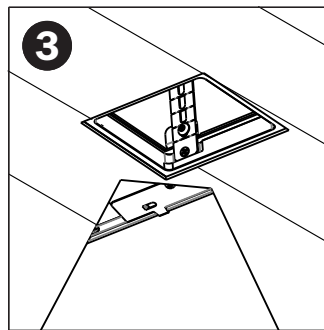
WARNING: Rated for non-insulated ceilings only (non IC rated)
WARNING: Disconnect power prior to servicing or installing.



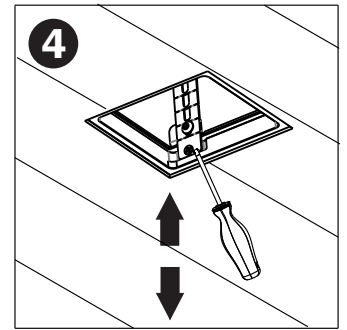
1
See R2P-F-S-T for baseplate mounting (steps 1-4). Use provided machine screws to assemble extension arms to adapter ring.



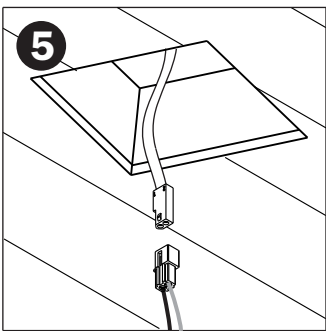
2
Place adapter ring assembly inside of baseplate. Utilize slots on extension arms which fit best with wood thickness. Assemble with provided hex machine screws to hold in place.



3
Install wood ceiling. Hole size **3-1/32" to 3-1/16"** Square. Can use adapter ring as template. **Do not use baseplate as hole template.**



4
Adjust transition ring height by loosening the 2 hex machine screws to make ring recess by 1/16". Trim will be flush with ceiling once installed.



5
Connector hangs through hole until completion. Insert mating connector from trim and install trim into ceiling.

Purist-T2-Installation • Subject to change without notice • REV 2023.05.11

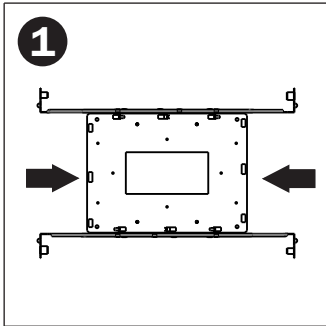
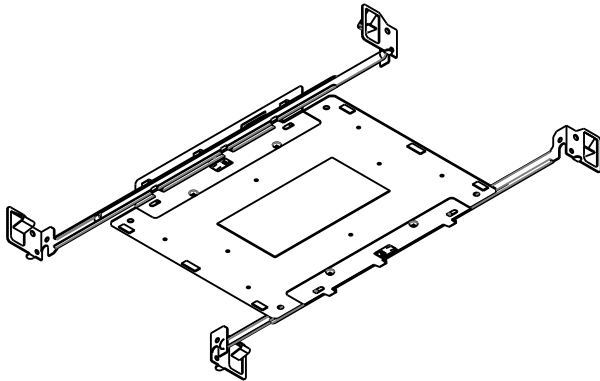
Install Guide



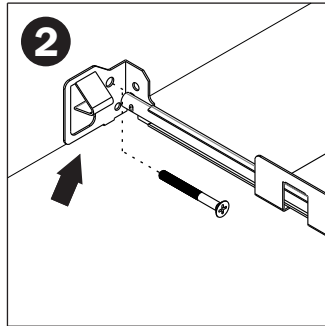
PURIST-T2 R2P-F-S-xT NON-I/C SQUARE MULTIPLE TRIMMED HOUSING

This product must be installed in accordance with the applicable code by a person familiar with the construction and operation of the product and the hazards involved. Read all of these instructions before installing.

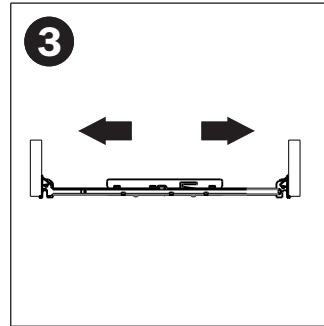
WARNING: Rated for non-insulated ceilings only (non IC rated)
WARNING: Disconnect power prior to servicing or installing.



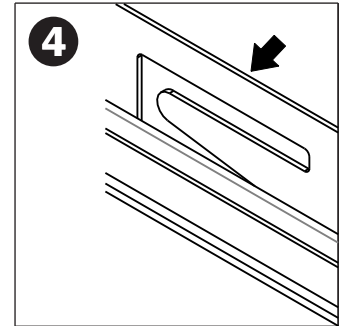
Slide hanging bars onto housing base plate.



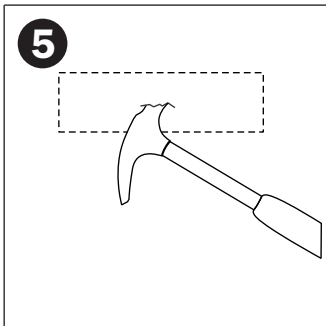
Line up bottom edge of hanging bars with bottom of wood joist and hammer in tabs. Nail or screw hanging bars into place.



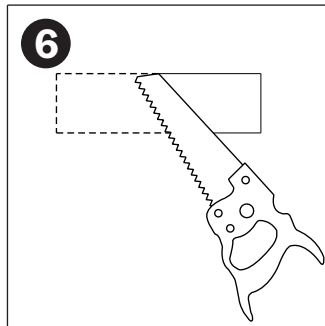
Position trim hole to desired location by sliding baseplate



To hold housing in place, bend tab with pliers into hanging bar



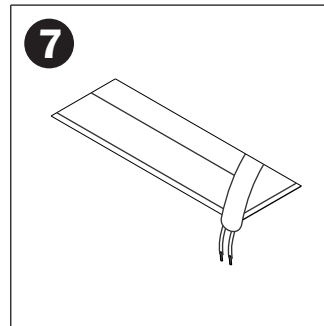
Mark approximate fixture location in ceiling.



Cut open using baseplate hole as your guide.

T2SF-2: 2-5/8" [66.7mm] x 5-3/16" [131.8mm]

T2SF-3: 2-5/8" [66.7mm] x 7-3/4" [196.9mm]



Caution: Careful attention should be made to cut within the hole size for the best fit

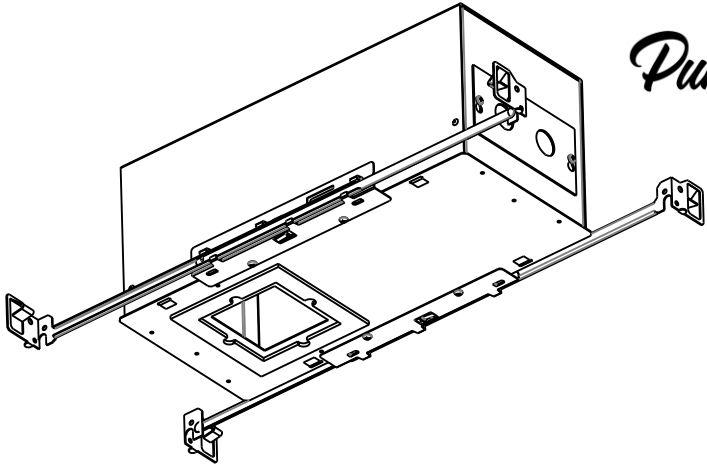
Pull electrical wire through newly cutout hole

Purist-T2-Installation • Subject to change without notice • REV 2023.05.11

Install Guide



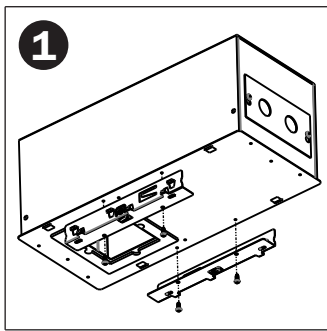
PURIST-T2 R2P-ICxA-S-T 1/C SQUARE TRIMLESS HOUSING



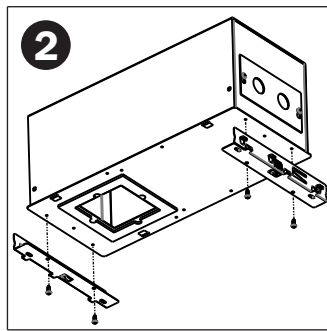
This product must be installed in accordance with the applicable code by a person familiar with the construction and operation of the product and the hazards involved. Read all of these instructions before installing.

WARNING: Rated for insulated ceilings only (IC rated)

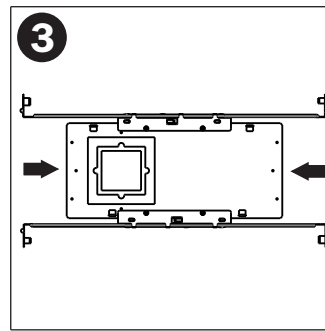
WARNING: Disconnect power prior to servicing or installing.



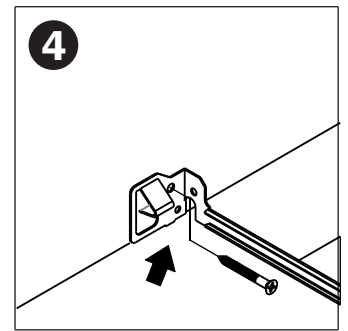
1
Horizontal mount use provided sheet metal screws.



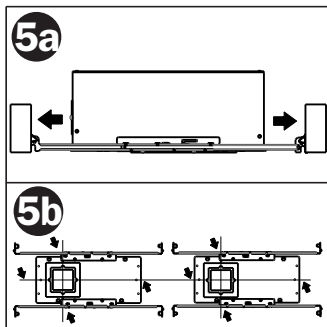
2
Optional Vertical mount. Align holes and use same screws.



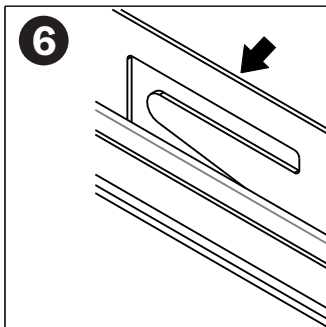
3
Slide hanging bars onto housing base plate



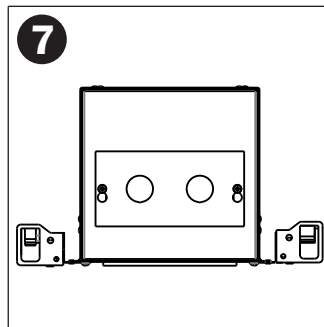
4
Line up bottom edge of hanging bars with bottom of wood joist and hammer in tabs. Nail or screw hanging bars into place



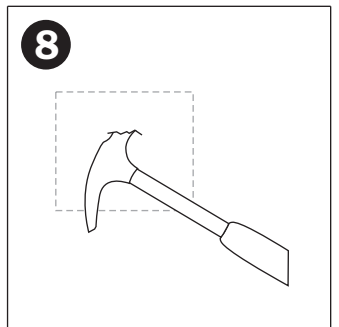
5a – Position trim hole to desired location by sliding housing
5b – Use centering holes on either side of base plate to line up a row of fixtures



6
To lock baseplate in place, bend tab with pliers over hanging bar.



7
Remove the Knock outs and make appropriate electrical connections.
See Dimming Instruction Diagram.



8
Mark approximate fixture location in ceiling

Purist-T2-Installation • Subject to change without notice • REV 2023.05.11

Install Guide

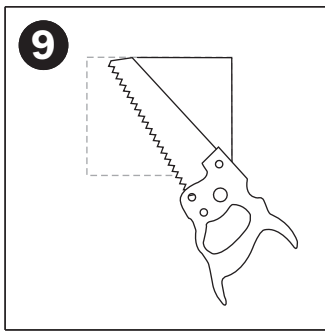


PURIST-T2
R2P-ICxA-S-T
I/C SQUARE
TRIMLESS HOUSING

This product must be installed in accordance with the applicable code by a person familiar with the construction and operation of the product and the hazards involved. Read all of these instructions before installing.

WARNING: Rated for insulated ceilings only (IC rated)

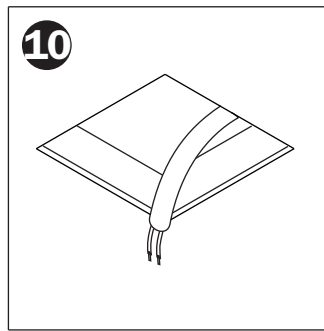
WARNING: Disconnect power prior to servicing or installing.



Cut open using baseplate hole as your guide. **Except Trimless wood baseplate (R2P-ICxA-S-TLW). Hole size is different than baseplate.**

Trimmed: 2-5/8" SQ.
[66.7mm]

Trimless: 2-7/8" SQ.
[73mm]



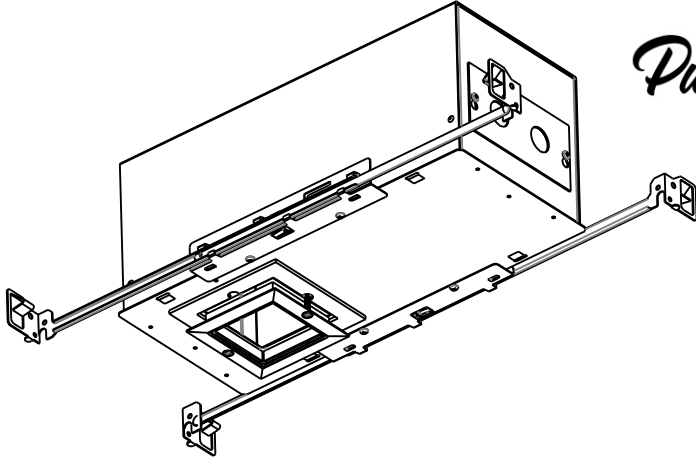
Caution: Careful attention should be made to cut within the hole diameter for the best fit
Pull electrical wire through

Purist-T2-Installation • Subject to change without notice • REV 2023.05.11

Install Guide



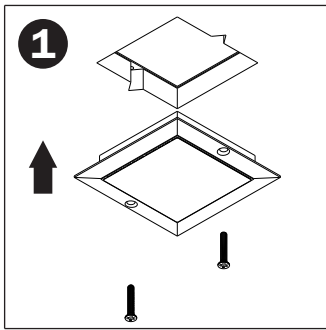
PURIST-T2 R2P-ICxA-S-TL 1/C SQUARE TRIMLESS HOUSING



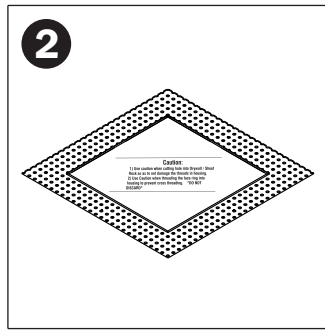
This product must be installed in accordance with the applicable code by a person familiar with the construction and operation of the product and the hazards involved. Read all of these instructions before installing.

WARNING: Rated for insulated ceilings only (IC rated)

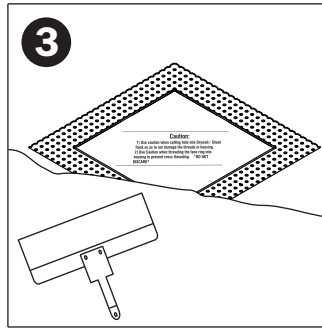
WARNING: Disconnect power prior to servicing or installing.



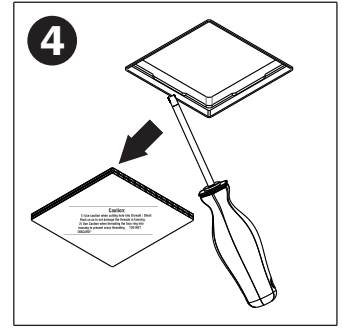
See R2P-ICxA-S-T (steps 1-10) for baseplate mounting. After drywall is cutout, cut notches to expose mounting holes on housing baseplate and install trimless frame with screws provided



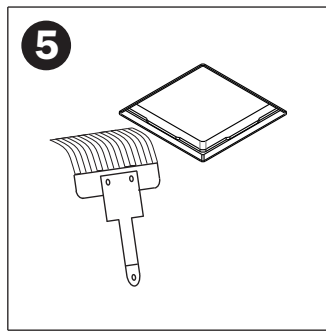
Apply factory supplied fibre mesh over trim collar edge. Insert cardboard cover into opening



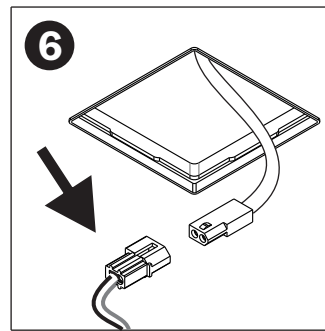
Apply thin coat of plaster mud onto trim collar and fibre mesh, using collar lip as the height guide. For best results feather mud 12" from edge of lip



Remove cardboard cover. Use a small screwdriver to clean the inside lip of the trim collar of any excess drywall mud



Paint ceiling. Excess paint on inside edge of ring may restrict the trim from sitting flat



Connector hangs through hole until completion. Mate connectors.

Purist-T2-Installation • Subject to change without notice • REV 2023.05.11

Install Guide

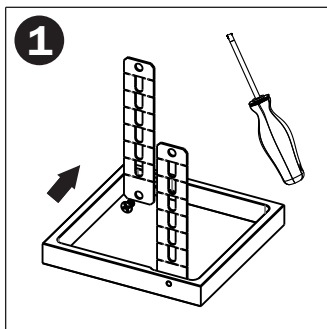
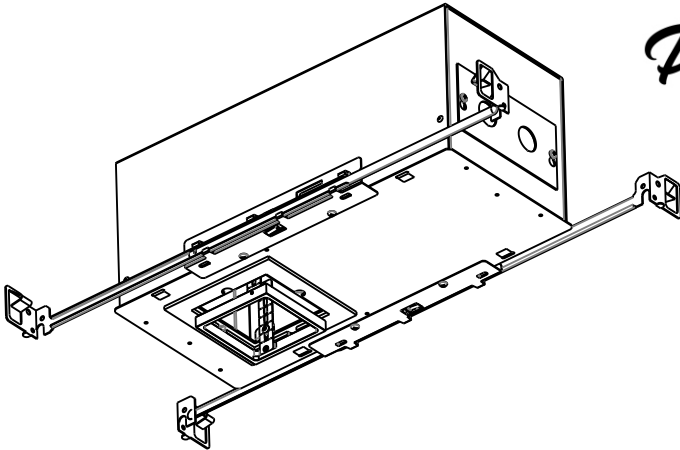


PURIST-T2 R2P-F-S-TLW 1/C SQUARE TRIMLESS WOOD HOUSING

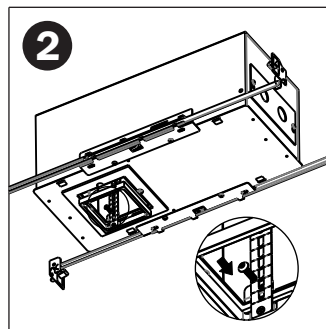
This product must be installed in accordance with the applicable code by a person familiar with the construction and operation of the product and the hazards involved. Read all of these instructions before installing.

WARNING: Rated for insulated ceilings only (IC rated)

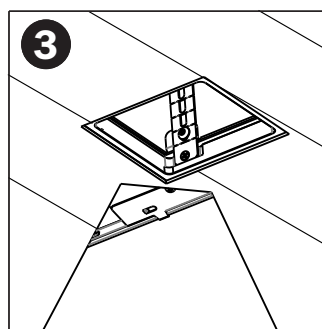
WARNING: Disconnect power prior to servicing or installing.



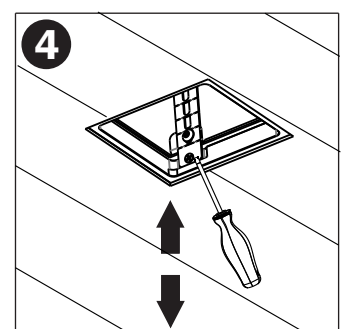
1 See R2P-ICxA-S-T (steps 1-7) for baseplate mounting. Use provided machine screws to assemble extension arms to adapter ring.



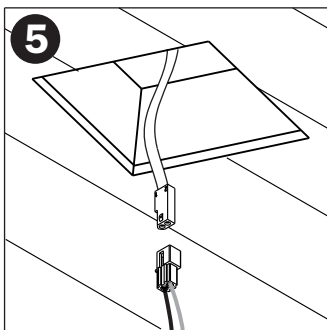
2 Place adapter ring assembly inside of baseplate. Utilize slots on extension arms which fit best with wood thickness. Assemble with provided hex machine screws to hold in place.



3 Install wood ceiling. Hole size **3-1/32" to 3-1/16"** Square. Can use adapter ring as template. **Do not use baseplate as hole template.**



4 Adjust transition ring height by loosening the 2 hex machine screws to make ring recess by 1/16". Trim will be flush with ceiling once installed.



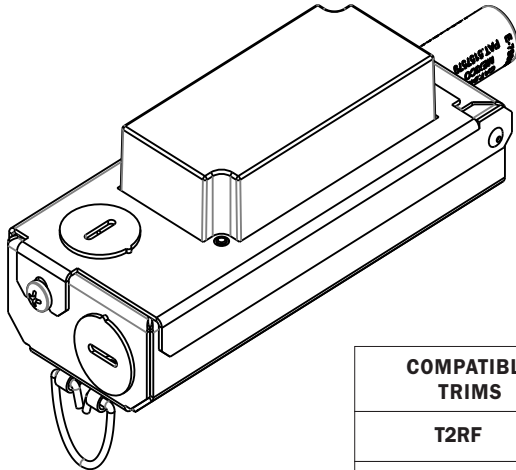
5 Connector hangs through hole until completion. Insert mating connector from trim and install trim into ceiling.

Purist-T2-Installation • Subject to change without notice • REV 2023.05.11

Install Guide



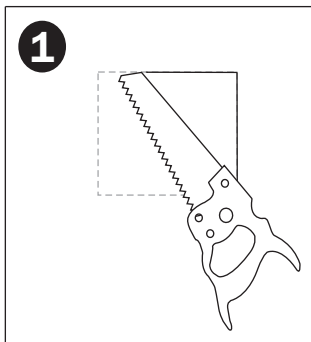
PURIST-DRC-T2 REMODEL DRIVER INSTALLATION



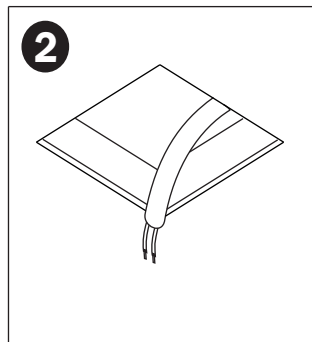
This product must be installed in accordance with the applicable code by a person familiar with the construction and operation of the product and the hazards involved. Read all of these instructions before installing.

WARNING: Rated for non-insulated ceilings only (non IC rated)

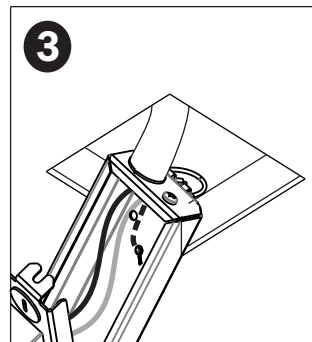
COMPATIBLE TRIMS	HOLE CUTOUT SIZE	COMPATIBLE TRIMS	HOLE CUTOUT SIZE
T2RF	Round 2 5/8"	T2RF-TL	Round 2 7/8"
T2RA	Round 2 5/8"	T2RA-TL	Round 2 7/8"
T2RP	Round 2 5/8"	T2RP-TL	Round 2 7/8"
T2SF	Square 2 5/8"	T2SF-TL	Square 2 7/8"
T2SA	Square 2 5/8"	T2SA-TL	Square 2 7/8"
T2SP	Square 2 5/8"	T2SP-TL	Square 2 7/8"



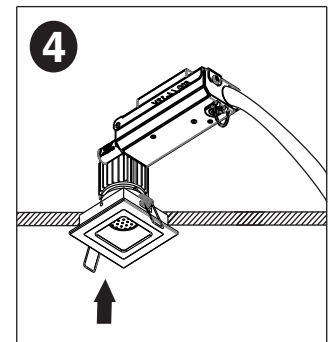
1
Mark approximate fixture location in ceiling. See chart for round or square hole cutout size for individual trims



2
Caution: Careful attention should be made to cut within the hole size for best fit
Pull electrical wire through newly cutout hole



3
Make appropriate electrical connection in J-Box. Place electrical box cover over J-Box, **See Dimming Instruction Diagram.** Push junction box through the hole



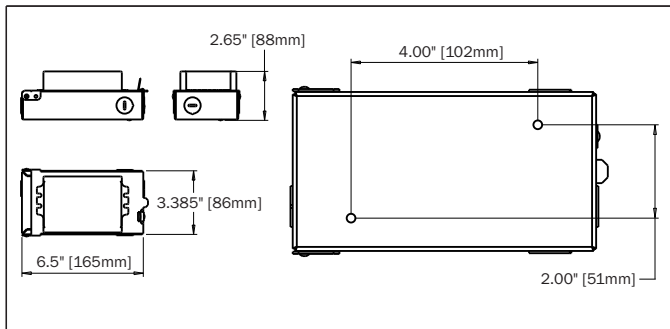
4
Install luminaire into ceiling

Purist-T2-Installation • Subject to change without notice • REV 2023.05.11

Install Guide



PURIST-DTM REMOTE DRIVER INSTALLATION



This product must be installed in accordance with the applicable code by a person familiar with the construction and operation of the product and the hazards involved. Read all of these instructions before installing.

WARNING: Rated for non-insulated ceilings only (non IC rated)

Mounting dim's for remote driver case. Mounting holes on bottom of case.

REMOTE DRIVER COMPATABILITY

Trim	Driver Type	Series	CH.	Config.	Dimming Type ^{1,2}	Min Load Units	Max Load Units
T2RF T2RA T2SF T2SA T2SF-2 T2SF-3 (8008, 9007)	DTM	500	1	A	LE	1	1
					LH	1	3
					P	1	4
					P1	1	3
				B	S	1	3
					LE	2	3
					LH	2	3
T2RF T2RA T2SF T2SA T2SF-2 T2SF-3 (8011, 9010)	DTM	700	1	A	LE	1	1
					LH	1	3
					P	1	4
					P1	1	3
				B	S	1	3
					LE	2	3

Maximum remote mounting distance (Wire length).

1. LE, LH : 100' using 12 AWG, 50' using 14 AWG.
2. P, P1, S : 100' using 14 AWG, 50' using 16 AWG.

Install Guide

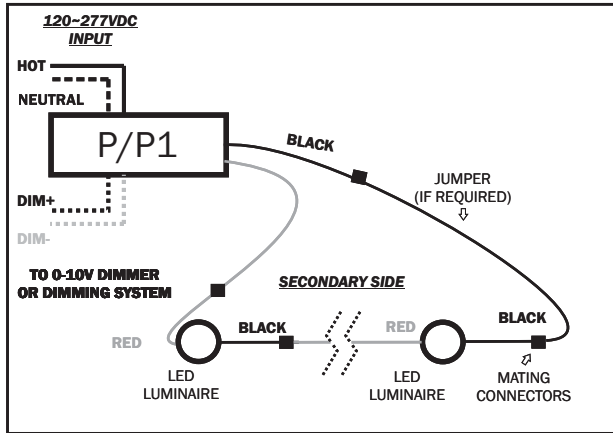
Caution: Ensure Driver is switched **OFF** before connecting LED. Failure to do so will cause **IMMEDIATE LED FAILURE**.

CAUTION TO INSTALLER: This LED device is polarity sensitive and must be wired in series. Mating connectors can only be wired in series, factory made jumper with connectors available if necessary.

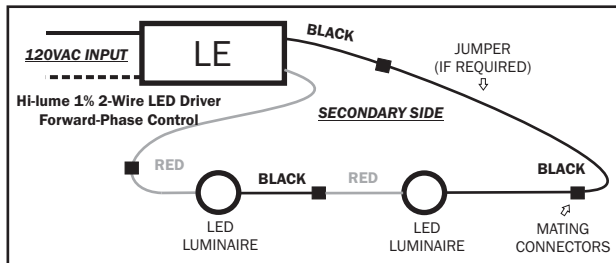
Wiring must be connected as noted in diagrams below. Failure to follow instruction provided will result in damage to luminaire.

- ◆ Rated for non-insulated ceilings only
- ◆ Certified as stand alone luminaire
- ◆ For use with approved LED Drivers, refer to LED driver specification sheets for compatibility and dimming

P/P1-120/277
SEE TABLE FOR MIN./MAX. LOAD

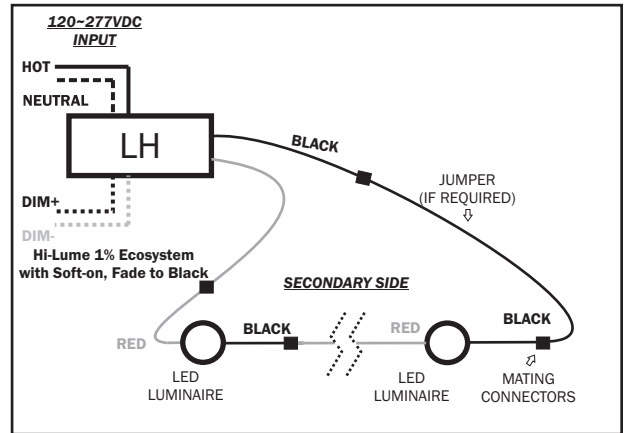


LE-120
SEE TABLE FOR MIN./MAX. LOAD

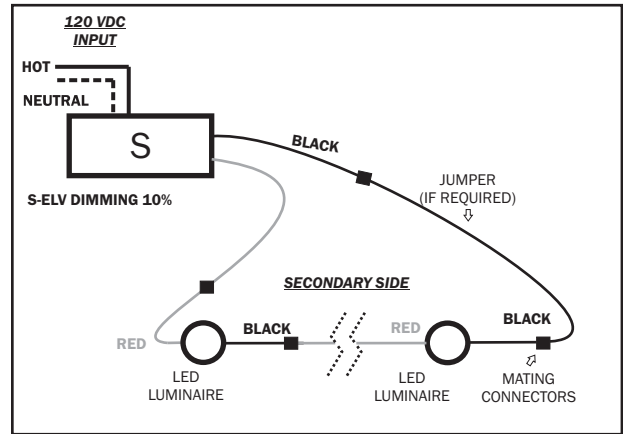


Wiring Instructions (RT) Remote

LH-120/277
SEE TABLE FOR MIN./MAX. LOAD



S-120
SEE TABLE FOR MIN./MAX. LOAD



(RT) Remote Wiring Instructions • Subject to change without notice • REV 2022.07.15