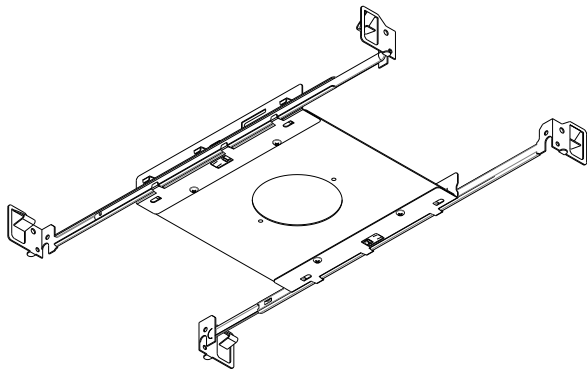


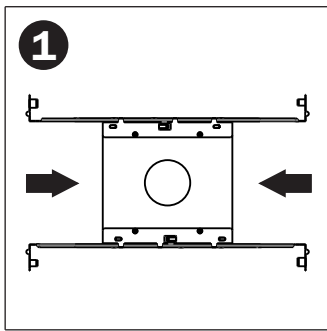
Install Guide

R2P-F-R-TL SERIES NON-I/C BASEPLATE

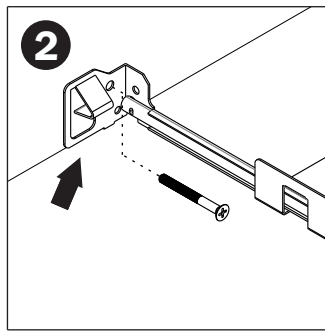


This product must be installed in accordance with the applicable code by a person familiar with the construction and operation of the product and the hazards involved. Read all of these instructions before installing.

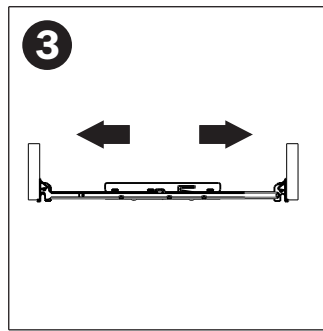
WARNING: Rated for non-insulated ceilings only (non IC rated)



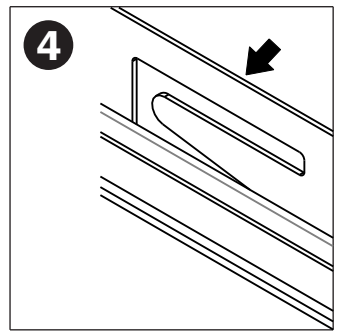
1 Slide hanging bars onto housing base plate



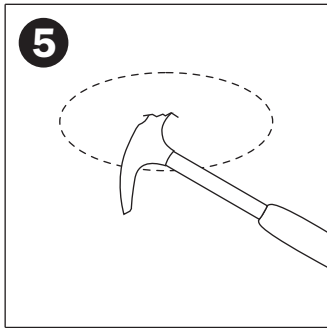
2 Line up bottom edge of hanging bars with bottom of wood joist and hammer in tabs. Nail or screw hanging bars into place



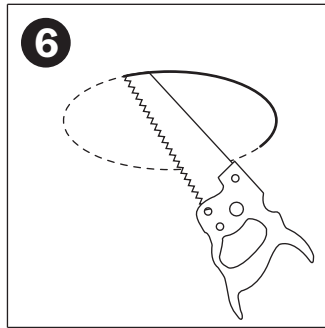
3 Position trim hole to desired location by sliding baseplate



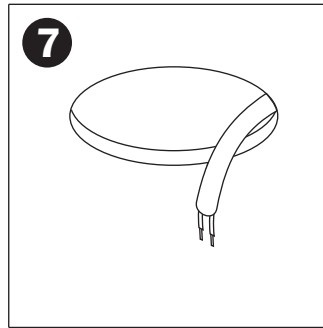
4 To hold housing in place, bend tab with pliers into hanging bar



5 Mark approximate fixture location in ceiling



6 Cut open using baseplate hole as your guide



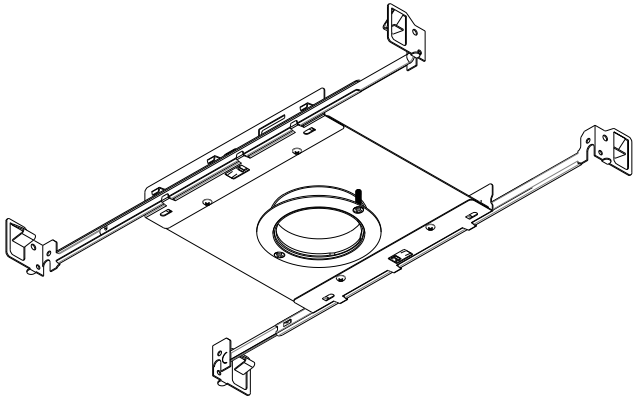
Caution: Careful attention should be made to cut within the hole diameter for the best fit

Pull electrical wire through newly cutout hole

Subject to change without notice • REV 2020.09.17

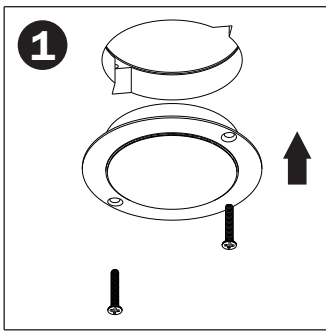
Install Guide

R2P-F-R-TL SERIES NON-I/C BASEPLATE

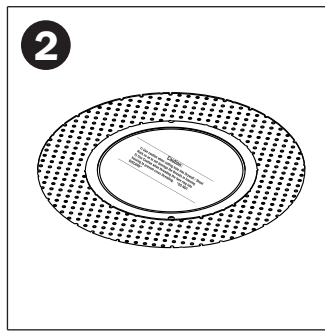


This product must be installed in accordance with the applicable code by a person familiar with the construction and operation of the product and the hazards involved. Read all of these instructions before installing.

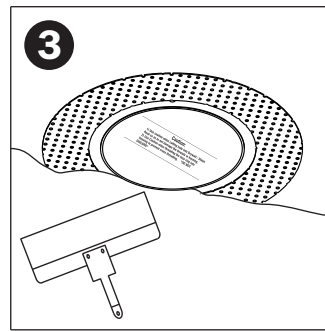
WARNING: Rated for non-insulated ceilings only (non IC rated)
WARNING: Disconnect power prior to servicing or installing.



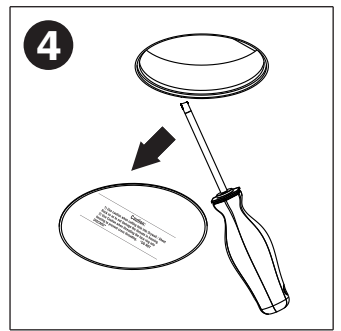
After drywall is cutout, cut notches to expose mounting holes on housing baseplate and install trimless frame with screws provided



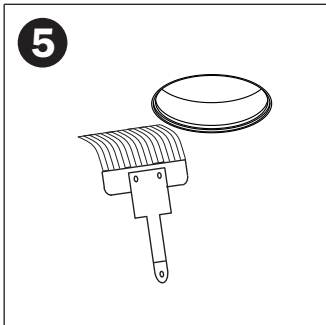
Apply factory supplied fibre mesh over trim collar edge. Insert cardboard cover into opening



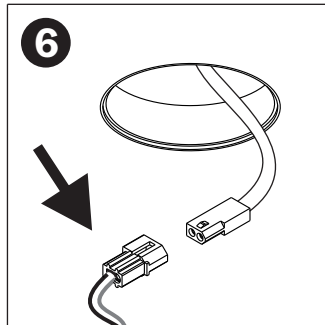
Apply thin coat of plaster mud onto trim collar and fibre mesh, using collar lip as the height guide. For best results feather mud 12" from edge of lip



Remove cardboard cover. Use a small screwdriver to clean the inside lip of the trim collar of any excess drywall mud



Paint ceiling. Excess paint on inside edge of ring may restrict the trim from sitting flat

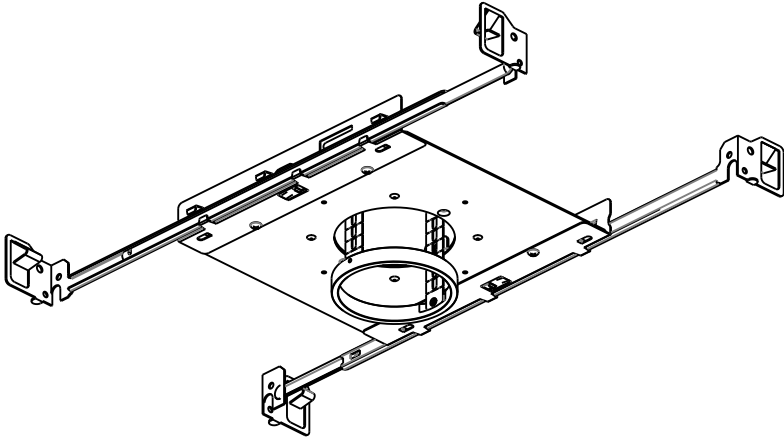


Connector hangs through hole until completion. Mate connectors.

Subject to change without notice • REV 2020.09.17

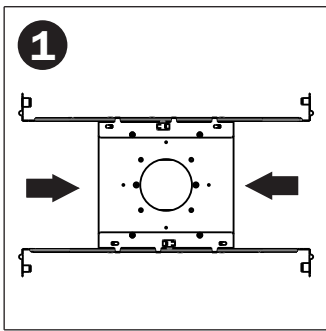
Install Guide

R2P-F-R-TLW NON-I/C BASEPLATE

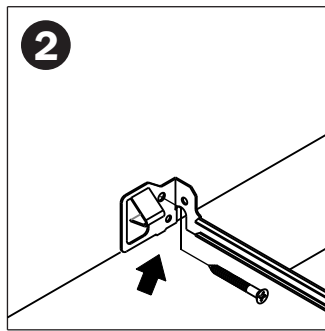


This product must be installed in accordance with the applicable code by a person familiar with the construction and operation of the product and the hazards involved. Read all of these instructions before installing.

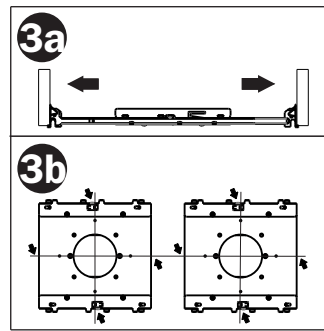
WARNING: Rated for non-insulated ceilings only (non IC rated)
WARNING: Disconnect power prior to servicing or installing.



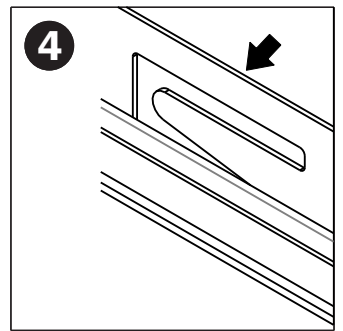
Slide hanging bars onto housing base plate



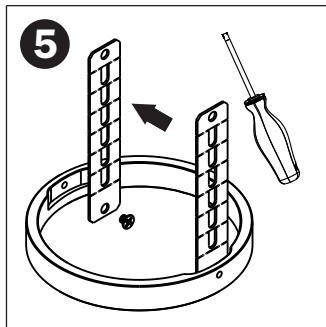
Line up bottom edge of hanging bars with bottom of wood joist and hammer in tabs. Nail or screw hanging bars into place



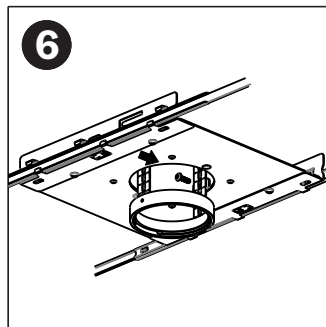
3a – Position trim hole to desired location by sliding housing
3b – Use centering holes on either side of base plate to line up a row of fixtures



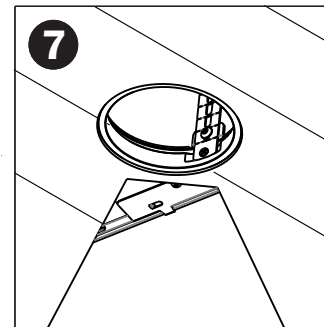
To lock baseplate in place, bend tab with pliers over hanging bar.



Use provided machine screws to assemble extension arms to adapter ring.



Place trim ring assembly inside of baseplate. Utilize slots on extension arms which fit best with wood thickness. Assemble with provided hex machine screws to hold in place.

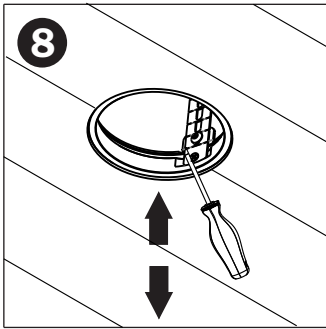


Install wood ceiling. Hole size 3-1/32" to 3-1/16" Diameter. Can use adapter ring as template. **Do not use baseplate as hole template.**

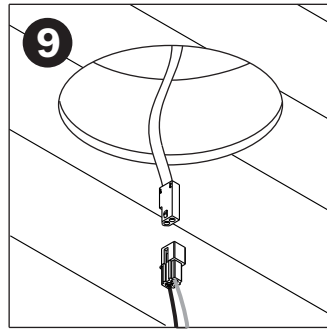
R2P-F-R-TLW-installation • Subject to change without notice • REV 2021.06.29

Install Guide

R2P-F-R-TLW NON-I/C BASEPLATE



Adjust transition ring height by loosening the 2 hex machine screws to make ring recess by 1/16". Trim will be flush with ceiling once installed.



Connector hangs through hole until completion. Insert mating connector from trim and install trim into ceiling.

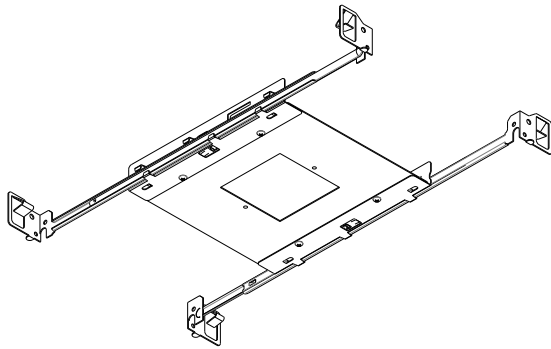
This product must be installed in accordance with the applicable code by a person familiar with the construction and operation of the product and the hazards involved. Read all of these instructions before installing.

WARNING: Rated for non-insulated ceilings only (non IC rated)
WARNING: Disconnect power prior to servicing or installing.

R2P-F-R-TLW-installation • Subject to change without notice • REV 2021.06.29

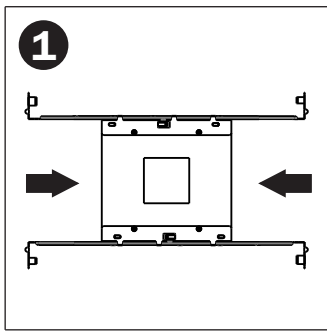
Install Guide

R2P-F-S-TL SERIES NON-I/C BASEPLATE

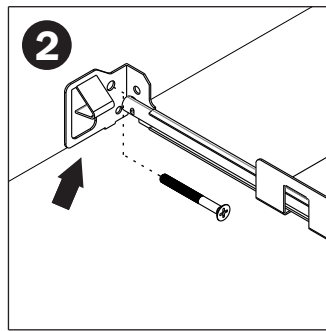


This product must be installed in accordance with the applicable code by a person familiar with the construction and operation of the product and the hazards involved. Read all of these instructions before installing.

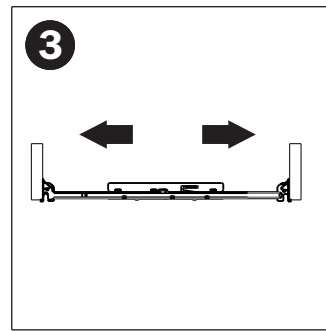
WARNING: Rated for non-insulated ceilings only (non IC rated)



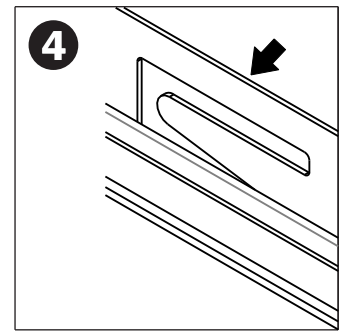
Slide hanging bars onto housing base plate



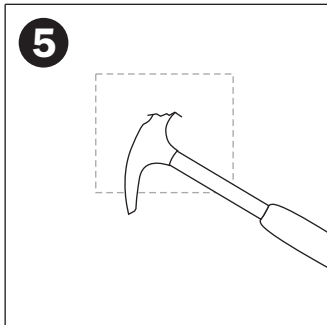
Line up bottom edge of hanging bars with bottom of wood joist and hammer in tabs. Nail or screw hanging bars into place



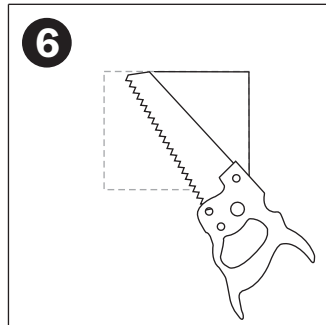
Position trim hole to desired location by sliding baseplate



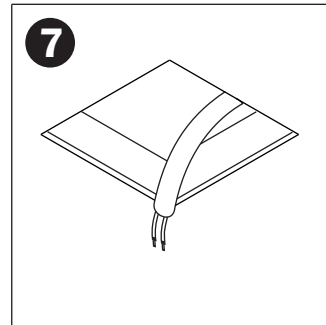
To hold housing in place, bend tab with pliers into hanging bar



Mark approximate fixture location in ceiling



Cut open using baseplate hole as your guide



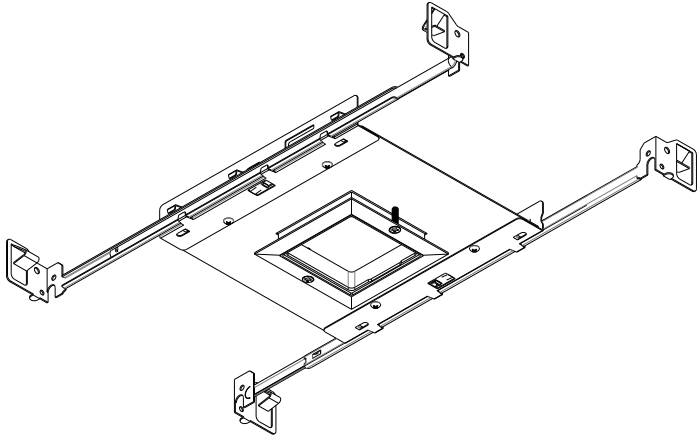
Caution: Careful attention should be made to cut within the hole size for the best fit

Pull electrical wire through newly cutout hole

Subject to change without notice • REV 2020.09.17

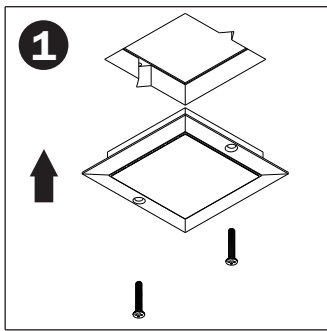
Install Guide

R2P-F-S-TL SERIES NON-I/C BASEPLATE

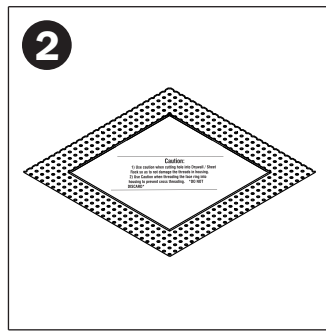


This product must be installed in accordance with the applicable code by a person familiar with the construction and operation of the product and the hazards involved. Read all of these instructions before installing.

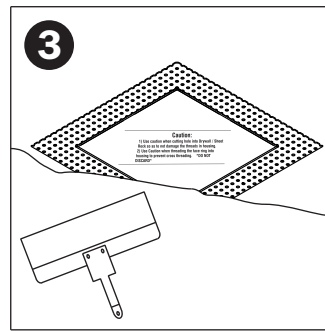
WARNING: Rated for non-insulated ceilings only (non IC rated)
WARNING: Disconnect power prior to servicing or installing.



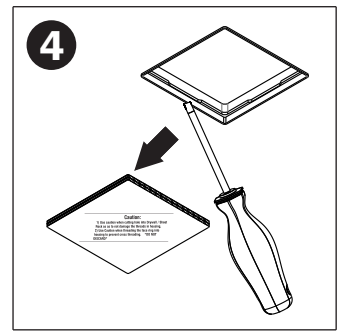
After drywall is cutout, cut notches to expose mounting holes on housing baseplate and install trimless frame with screws provided



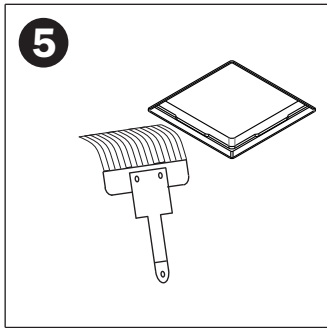
Apply factory supplied fibre mesh over trimless frame edge. Insert cardboard cover into opening



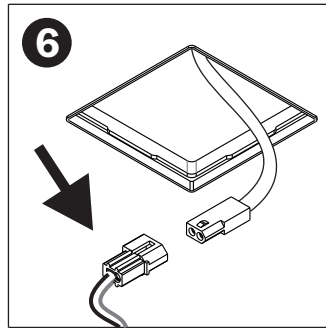
Apply thin coat of plaster mud onto trimless frame, using frame lip as the height guide. For best results feather mud 12" from hole edge



Remove cardboard cover. Use a small screwdriver to clean the inside lip of the trimless frame of any excess drywall mud



Paint ceiling. Excess paint on inside edge of frame may restrict the trim from sitting flat

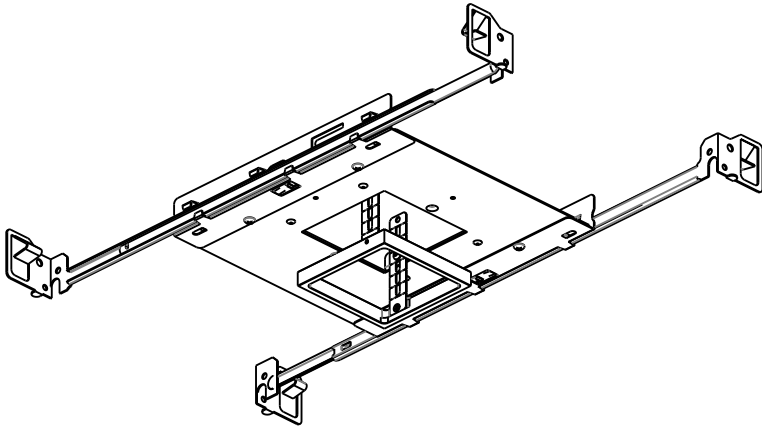


Connector hangs through hole until completion. Mate connectors.

Subject to change without notice • REV 2020.09.17

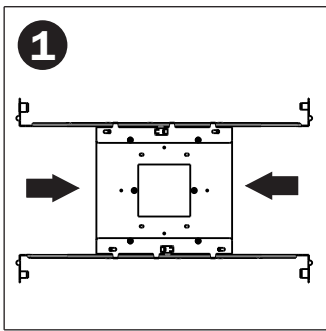
Install Guide

R2P-F-S-TLW NON-I/C BASEPLATE

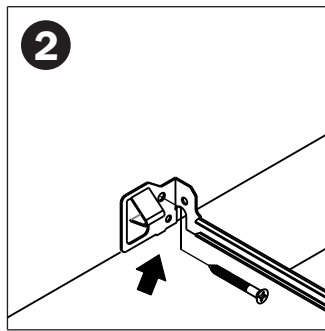


This product must be installed in accordance with the applicable code by a person familiar with the construction and operation of the product and the hazards involved. Read all of these instructions before installing.

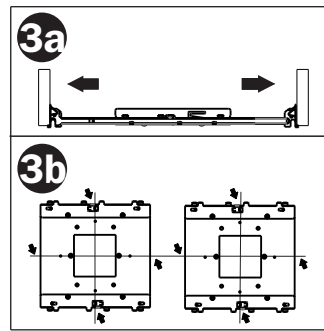
WARNING: Rated for non-insulated ceilings only (non IC rated)
WARNING: Disconnect power prior to servicing or installing.



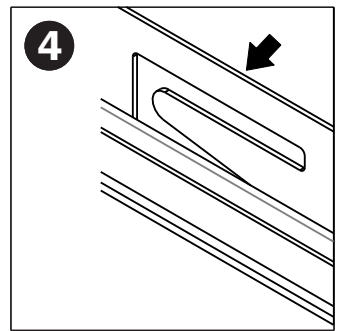
Slide hanging bars onto housing base plate



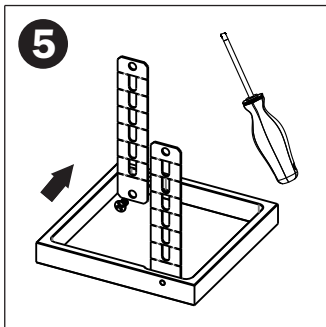
Line up bottom edge of hanging bars with bottom of wood joist and hammer in tabs. Nail or screw hanging bars into place



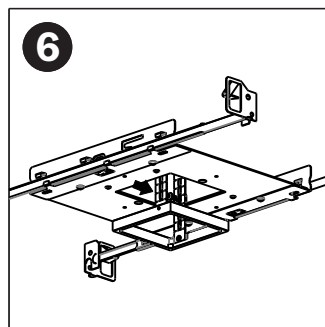
3a — Position trim hole to desired location by sliding housing
3b — Use centering holes on either side of base plate to line up a row of fixtures



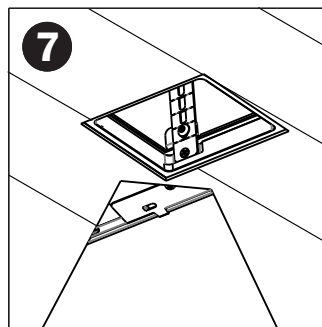
To lock baseplate in place, bend tab with pliers over hanging bar.



Use provided machine screws to assemble extension arms to adapter ring.



Place adapter ring assembly inside of baseplate. Utilize slots on extension arms which fit best with wood thickness. Assemble with provided hex machine screws to hold in place.

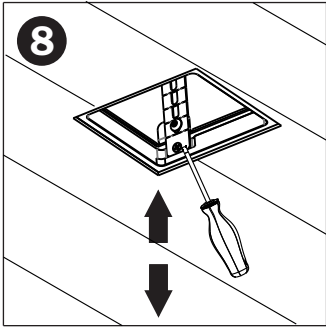


Install wood ceiling. Hole size 3-1/32" to 3-1/16" Square. Can use adapter ring as template. **Do not use baseplate as hole template.**

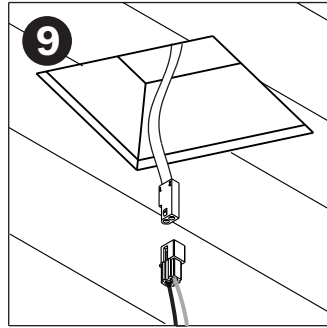
R2P-F-S-TLW-installation • Subject to change without notice • REV 2021.06.29

Install Guide

R2P-F-S-TLW NON-I/C BASEPLATE



Adjust transition ring height by loosening the 2 hex machine screws to make ring recess by 1/16". Trim will be flush with ceiling once installed.



Connector hangs through hole until completion. Insert mating connector from trim and install trim into ceiling.

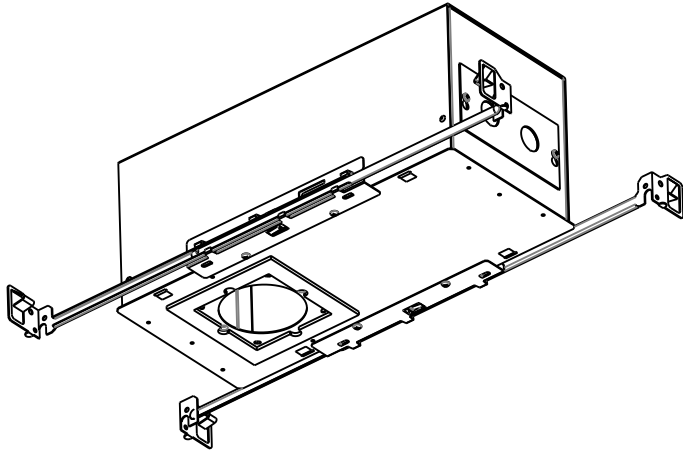
This product must be installed in accordance with the applicable code by a person familiar with the construction and operation of the product and the hazards involved. Read all of these instructions before installing.

WARNING: Rated for non-insulated ceilings only (non IC rated)
WARNING: Disconnect power prior to servicing or installing.

R2P-F-S-TLW-installation • Subject to change without notice • REV 2021.06.29

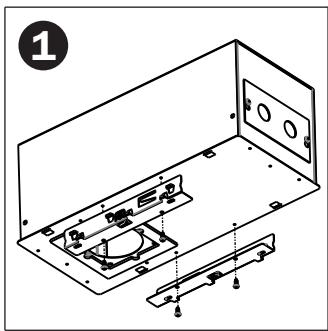
Install Guide

R2P-IC3A-R-TL I/C BASEPLATE

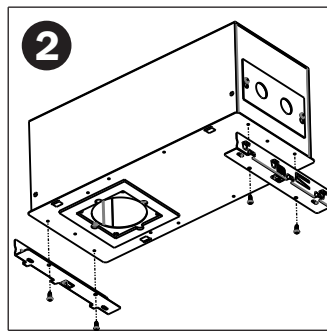


This product must be installed in accordance with the applicable code by a person familiar with the construction and operation of the product and the hazards involved. Read all of these instructions before installing.

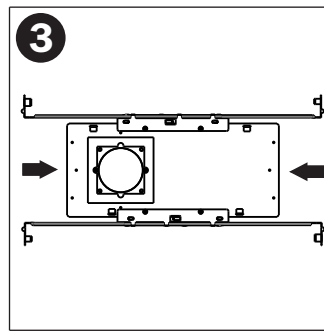
WARNING: Rated for non-insulated ceilings only (non IC rated)
WARNING: Disconnect power prior to servicing or installing.



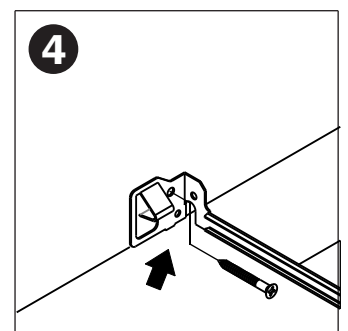
1
Horizontal mount use provided sheet metal screws.



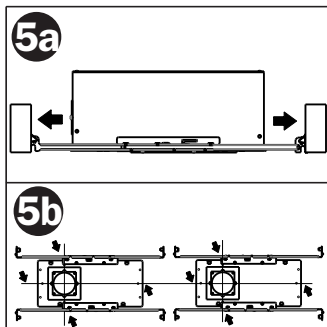
2
Optional Vertical mount. Align holes and use same screws.



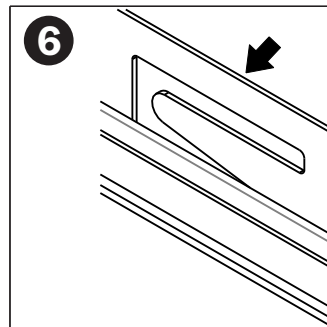
3
Slide hanging bars onto housing base plate



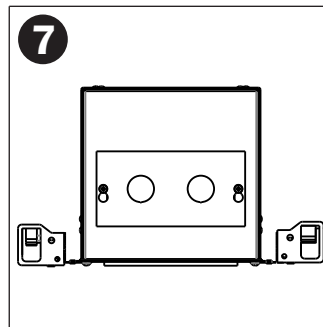
4
Line up bottom edge of hanging bars with bottom of wood joist and hammer in tabs. Nail or screw hanging bars into place



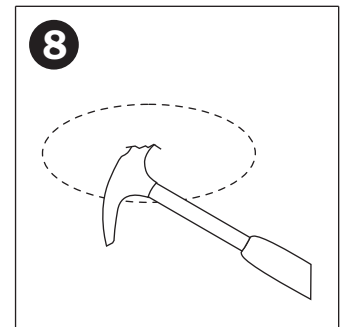
5a – Position trim hole to desired location by sliding housing
5b – Use centering holes on either side of base plate to line up a row of fixtures



6
To lock baseplate in place, bend tab with pliers over hanging bar.



7
Remove the Knock outs and make appropriate electrical connections.
See Dimming Instruction Diagram.

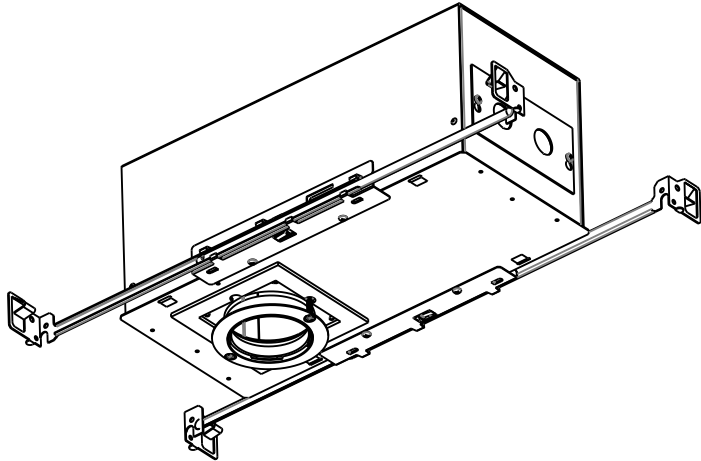


8
Mark approximate fixture location in ceiling

R2P-IC3A-R-TL-installation • Subject to change without notice • REV 2021.10.07

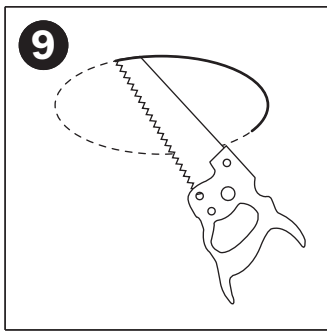
Install Guide

R2P-IC3A-R-TL I/C BASEPLATE

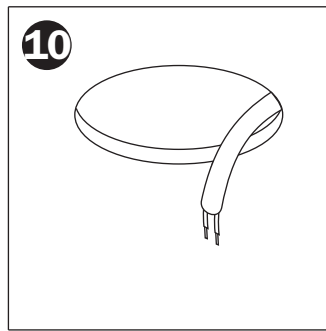


This product must be installed in accordance with the applicable code by a person familiar with the construction and operation of the product and the hazards involved. Read all of these instructions before installing.

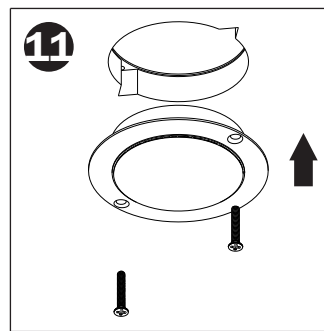
WARNING: Rated for non-insulated ceilings only (non IC rated)
WARNING: Disconnect power prior to servicing or installing.



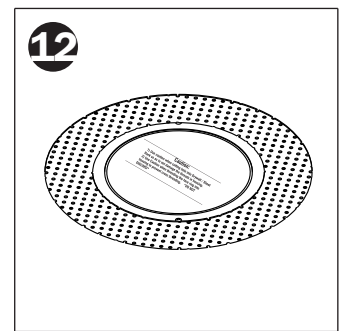
Cut open using baseplate hole as your guide



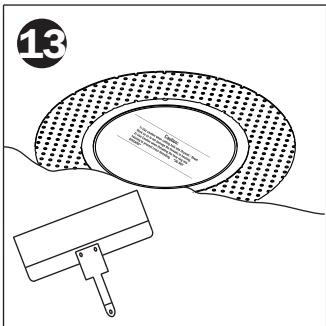
Caution: Careful attention should be made to cut within the hole diameter for the best fit
Pull electrical wire through



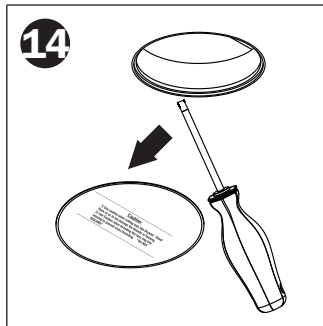
After drywall is cutout, cut notches to expose mounting holes on housing baseplate and install trimless frame with screws provided



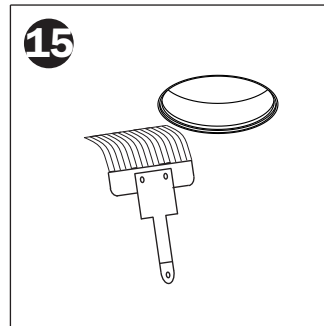
Apply factory supplied fibre mesh over trim collar edge. Insert cardboard cover into opening



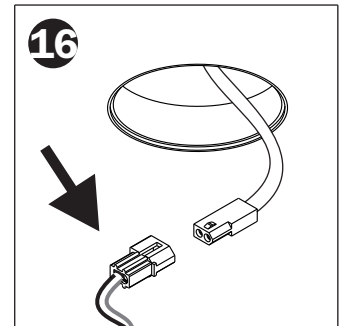
Apply thin coat of plaster mud onto trim collar and fibre mesh, using collar lip as the height guide. For best results feather mud 12" from edge of lip



Remove cardboard cover. Use a small screwdriver to clean the inside lip of the trim collar of any excess drywall mud



Paint ceiling. Excess paint on inside edge of ring may restrict the trim from sitting flat



Connector hangs through hole until completion. Mate connectors.

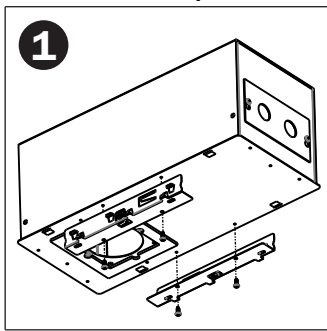
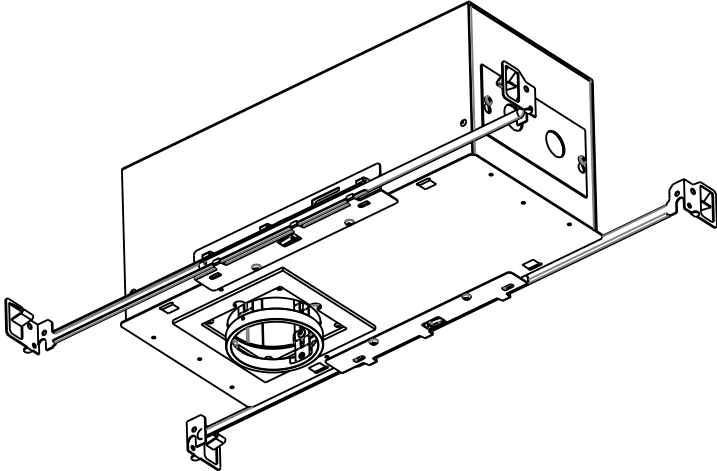
R2P-IC3A-R-TL-installation • Subject to change without notice • REV 2021.10.07

Install Guide

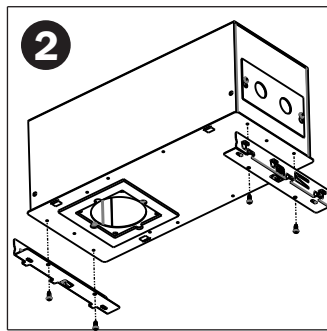
R2P-IC3A-R-TLW I/C BASEPLATE

This product must be installed in accordance with the applicable code by a person familiar with the construction and operation of the product and the hazards involved. Read all of these instructions before installing.

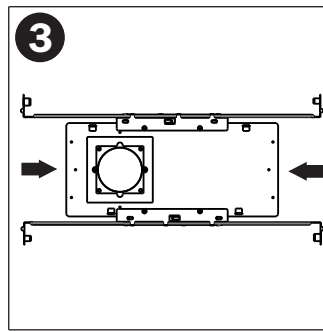
WARNING: Rated for non-insulated ceilings only (non IC rated)
WARNING: Disconnect power prior to servicing or installing.



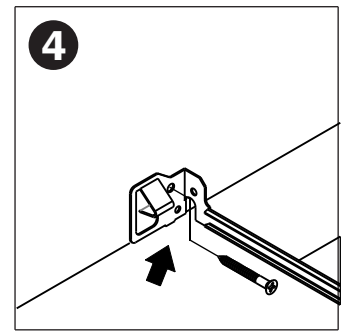
Horizontal mount use provided sheet metal screws.



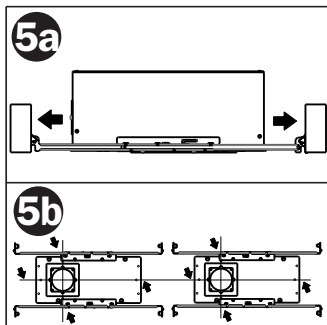
Optional Vertical mount. Align holes and use same screws.



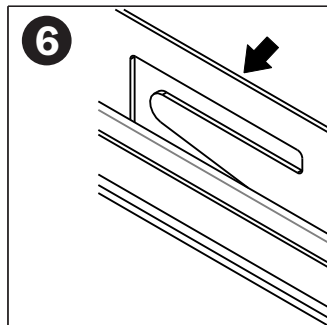
Slide hanging bars onto housing base plate



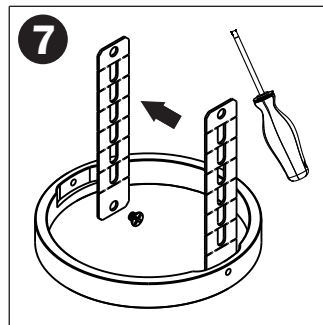
Line up bottom edge of hanging bars with bottom of wood joist and hammer in tabs. Nail or screw hanging bars into place



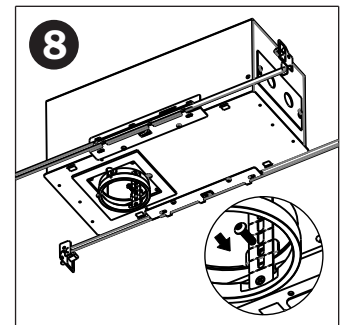
5a – Position trim hole to desired location by sliding housing
5b – Use centering holes on either side of base plate to line up a row of fixtures



To lock baseplate in place, bend tab with pliers over hanging bar.



Use provided machine screws to assemble extension arms to adapter ring.



Place adapter ring assembly inside of baseplate. Utilize slots on extension arms which fit best with wood thickness. Assemble with provided hex machine screws to hold in place.

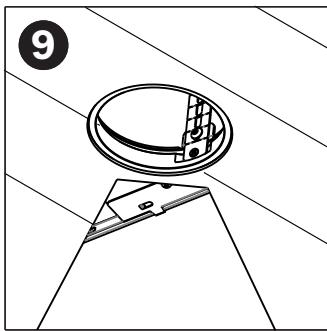
R2P-IC3A-R-TLW-installation • Subject to change without notice • REV 2021.06.30

Install Guide

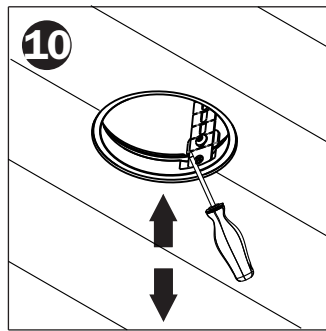
R2P-IC3A-R-TLW I/C BASEPLATE

This product must be installed in accordance with the applicable code by a person familiar with the construction and operation of the product and the hazards involved. Read all of these instructions before installing.

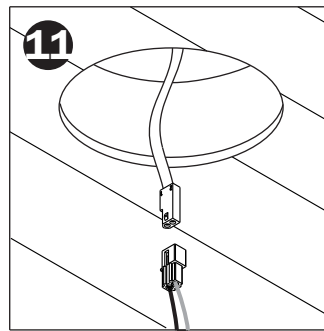
WARNING: Rated for non-insulated ceilings only (non IC rated)
WARNING: Disconnect power prior to servicing or installing.



Install wood ceiling. Hole size 3-1/32" to 3-1/16" Diameter. Can use adapter ring as template. **Do not use baseplate as hole template.**



Adjust transition ring height by loosening the 2 hex machine screws to make ring recess by 1/16". Trim will be flush with ceiling once installed.

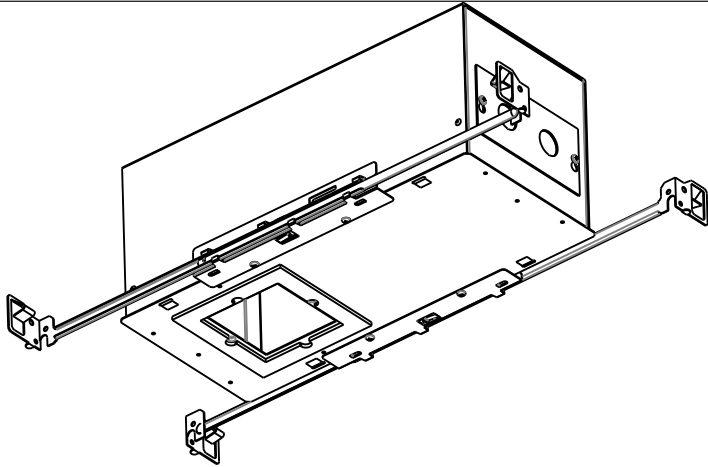


Connector hangs through hole until completion. Insert mating connector from trim and install trim into ceiling.

R2P-IC3A-R-TLW-installation • Subject to change without notice • REV 2021.06.30

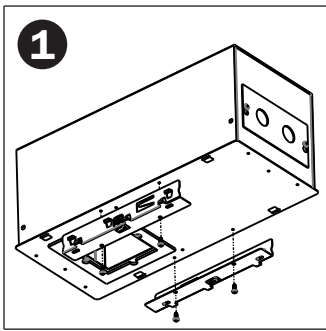
Install Guide

R2P-IC3A-S-TL I/C BASEPLATE

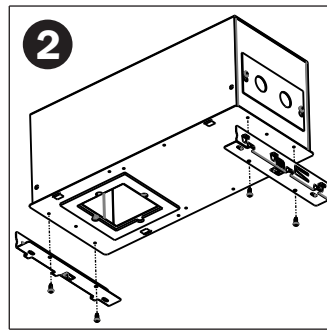


This product must be installed in accordance with the applicable code by a person familiar with the construction and operation of the product and the hazards involved. Read all of these instructions before installing.

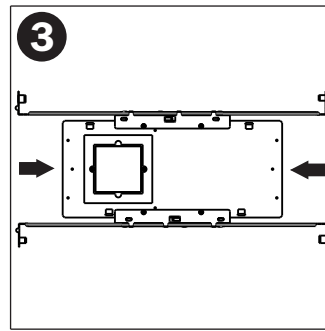
WARNING: Rated for non-insulated ceilings only (non IC rated)
WARNING: Disconnect power prior to servicing or installing.



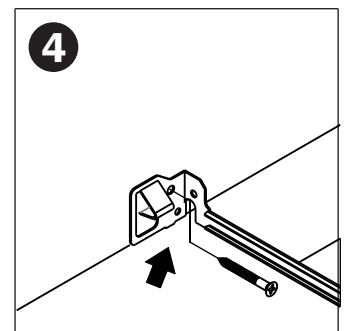
1
Horizontal mount use provided sheet metal screws.



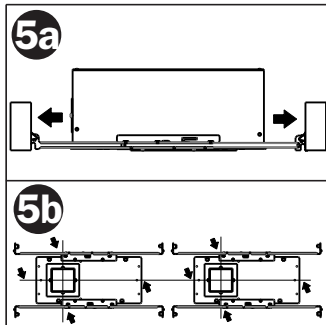
2
Optional Vertical mount. Align holes and use same screws.



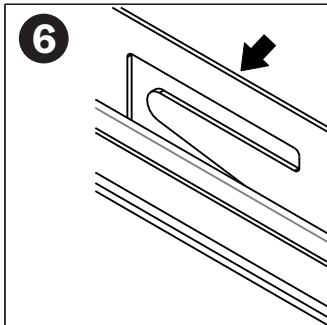
3
Slide hanging bars onto housing base plate



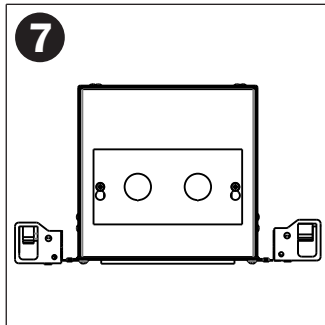
4
Line up bottom edge of hanging bars with bottom of wood joist and hammer in tabs. Nail or screw hanging bars into place



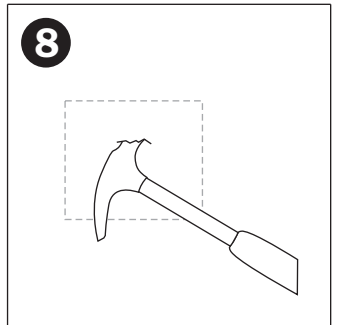
5a – Position trim hole to desired location by sliding housing
5b – Use centering holes on either side of base plate to line up a row of fixtures



6
To lock baseplate in place, bend tab with pliers over hanging bar.



7
Remove the Knock outs and make appropriate electrical connections.
See Dimming Instruction Diagram.

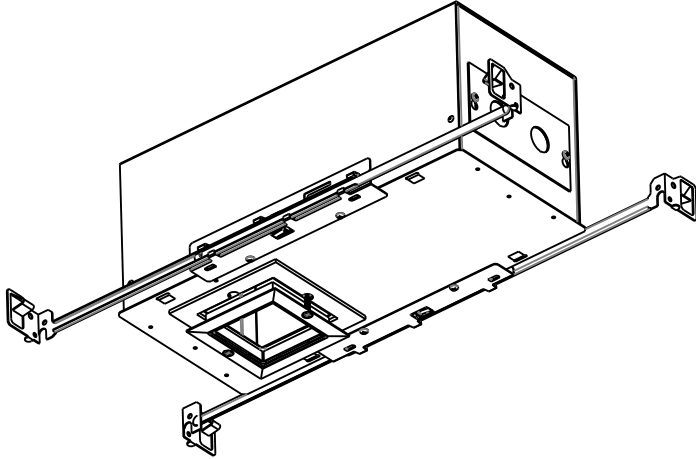


8
Mark approximate fixture location in ceiling

R2P-IC3A-S-TL-installation • Subject to change without notice • REV 2021.10.07

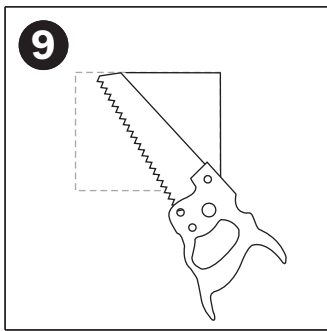
Install Guide

R2P-IC3A-S-TL I/C BASEPLATE

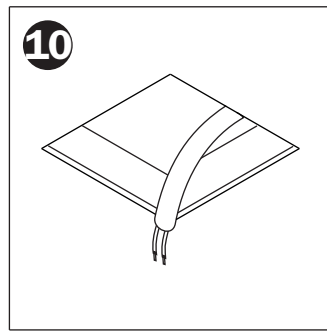


This product must be installed in accordance with the applicable code by a person familiar with the construction and operation of the product and the hazards involved. Read all of these instructions before installing.

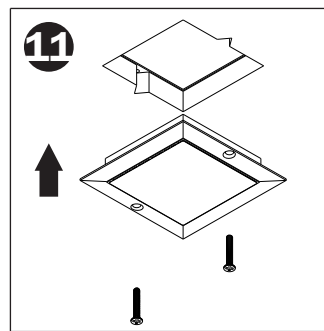
WARNING: Rated for non-insulated ceilings only (non IC rated)
WARNING: Disconnect power prior to servicing or installing.



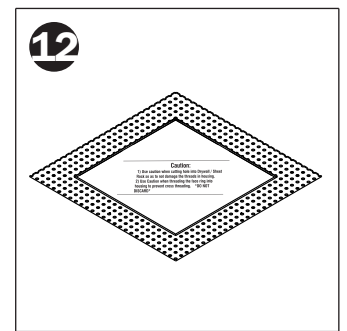
Cut open using baseplate hole as your guide



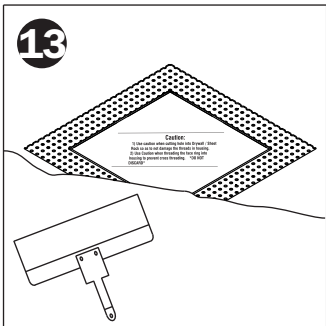
Caution: Careful attention should be made to cut within the hole diameter for the best fit
Pull electrical wire through



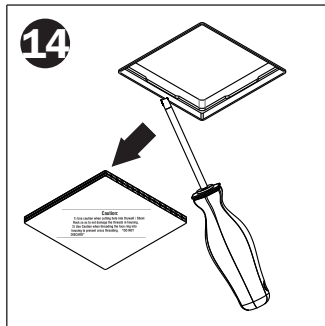
After drywall is cutout, cut notches to expose mounting holes on housing baseplate and install trimless frame with screws provided



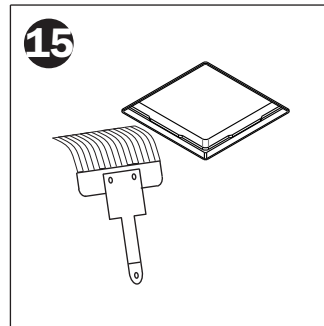
Apply factory supplied fibre mesh over trim collar edge. Insert cardboard cover into opening



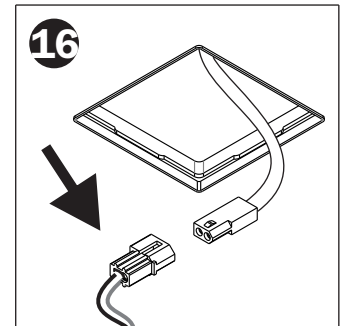
Apply thin coat of plaster mud onto trim collar and fibre mesh, using collar lip as the height guide. For best results feather mud 12" from edge of lip



Remove cardboard cover. Use a small screwdriver to clean the inside lip of the trim collar of any excess drywall mud



Paint ceiling. Excess paint on inside edge of ring may restrict the trim from sitting flat



Connector hangs through hole until completion. Mate connectors.

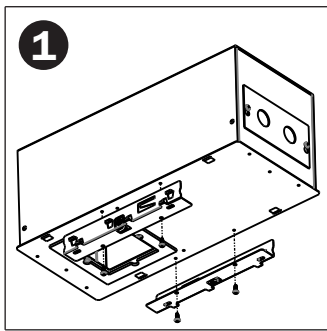
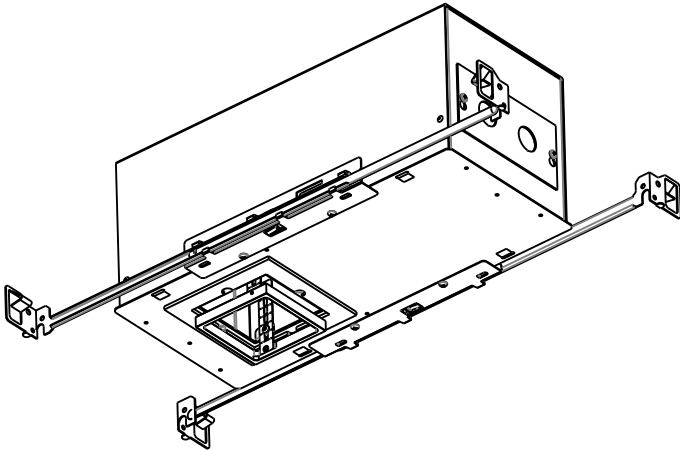
R2P-IC3A-S-TL-installation • Subject to change without notice • REV 2021.10.07

Install Guide

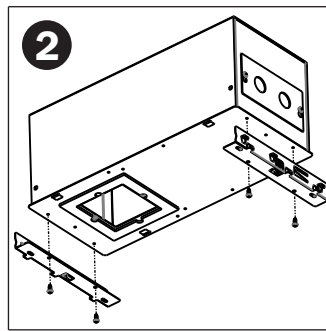
R2P-IC3A-S-TLW I/C BASEPLATE

This product must be installed in accordance with the applicable code by a person familiar with the construction and operation of the product and the hazards involved. Read all of these instructions before installing.

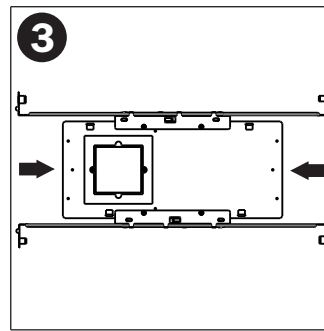
WARNING: Rated for non-insulated ceilings only (non IC rated)
WARNING: Disconnect power prior to servicing or installing.



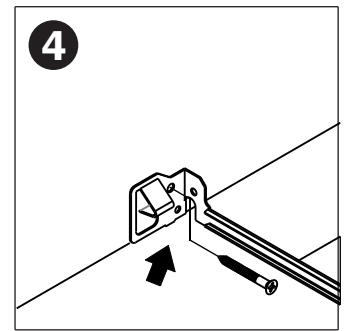
Horizontal mount use provided sheet metal screws.



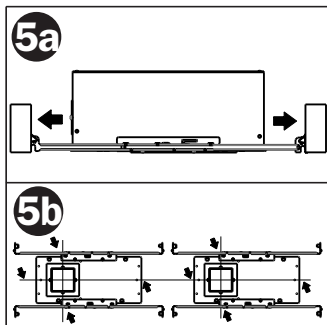
Optional Vertical mount. Align holes and use same screws.



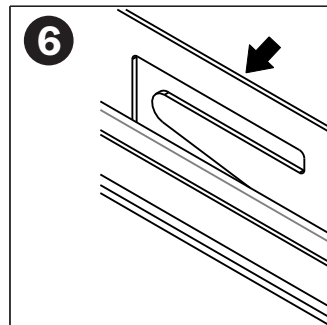
Slide hanging bars onto housing base plate



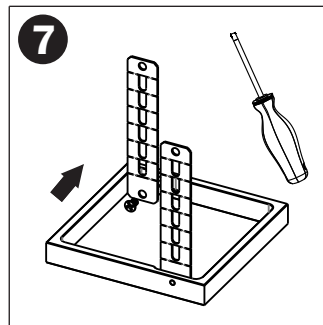
Line up bottom edge of hanging bars with bottom of wood joist and hammer in tabs. Nail or screw hanging bars into place



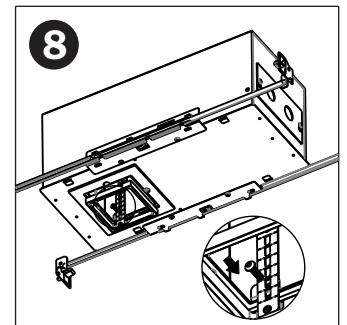
5a – Position trim hole to desired location by sliding housing
5b – Use centering holes on either side of base plate to line up a row of fixtures



To lock baseplate in place, bend tab with pliers over hanging bar.



Use provided machine screws to assemble extension arms to adapter ring.



Place adapter ring assembly inside of baseplate. Utilize slots on extension arms which fit best with wood thickness. Assemble with provided hex machine screws to hold in place.

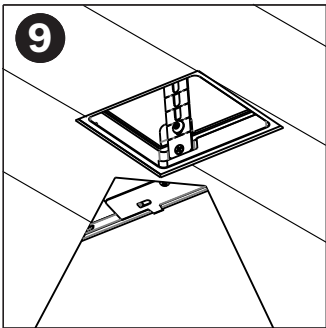
R2P-IC3A-S-TLW-installation • Subject to change without notice • REV 2021.06.30

Install Guide

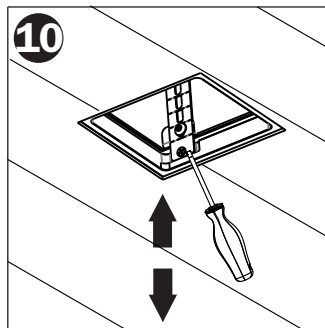
R2P-IC3A-S-TLW I/C BASEPLATE

This product must be installed in accordance with the applicable code by a person familiar with the construction and operation of the product and the hazards involved. Read all of these instructions before installing.

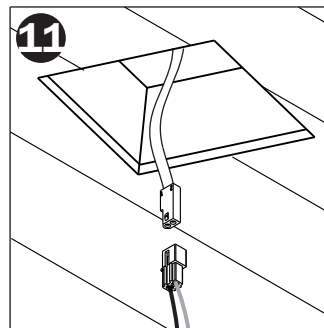
WARNING: Rated for non-insulated ceilings only (non IC rated)
WARNING: Disconnect power prior to servicing or installing.



Install wood ceiling. Hole size 3-1/32" to 3-1/16" Square. Can use adapter ring as template. **Do not use baseplate as hole template.**



Adjust transition ring height by loosening the 2 hex machine screws to make ring recess by 1/16". Trim will be flush with ceiling once installed.

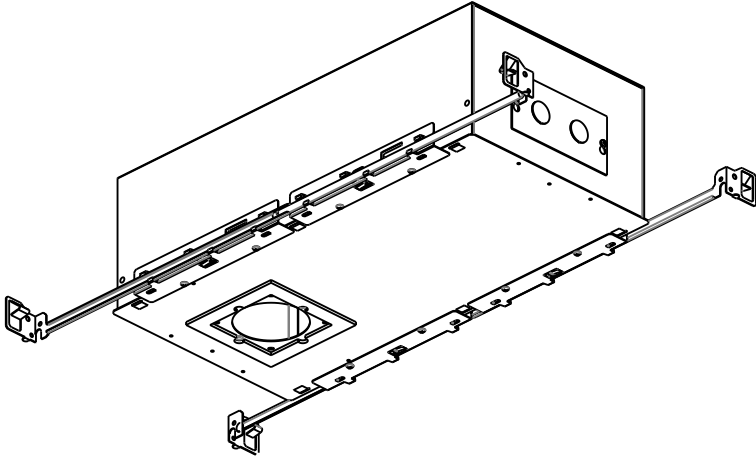


Connector hangs through hole until completion. Insert mating connector from trim and install trim into ceiling.

R2P-IC3A-S-TLW-installation • Subject to change without notice • REV 2021.06.30

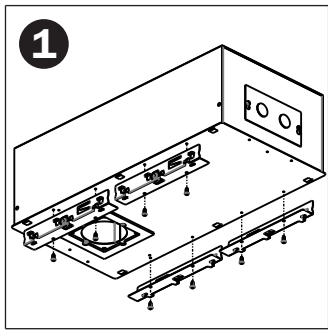
Install Guide

R2P-IC4A-R-TL I/C BASEPLATE

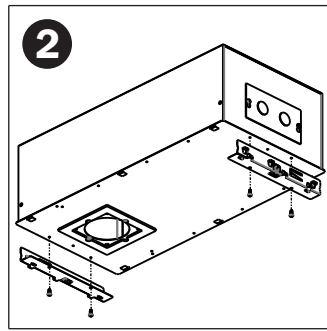


This product must be installed in accordance with the applicable code by a person familiar with the construction and operation of the product and the hazards involved. Read all of these instructions before installing.

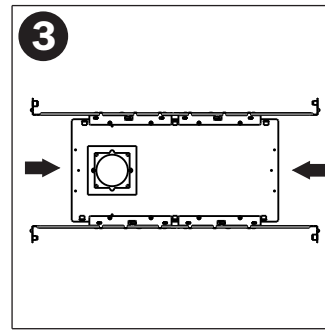
WARNING: Rated for non-insulated ceilings only (non IC rated)
WARNING: Disconnect power prior to servicing or installing.



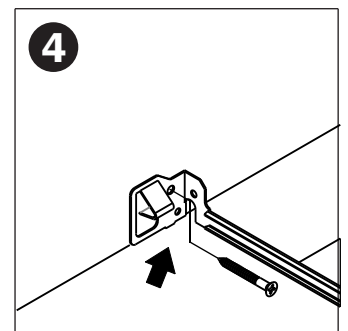
1
Horizontal mount use provided sheet metal screws.



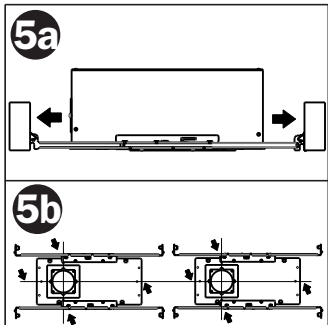
2
Optional Vertical mount. Align holes and use same screws.



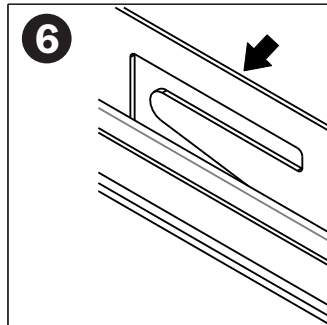
3
Slide hanging bars onto housing base plate



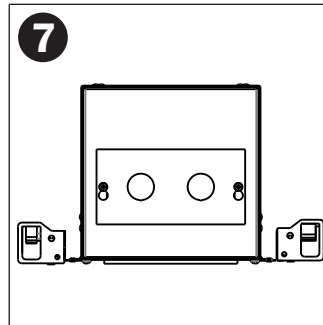
4
Line up bottom edge of hanging bars with bottom of wood joist and hammer in tabs. Nail or screw hanging bars into place



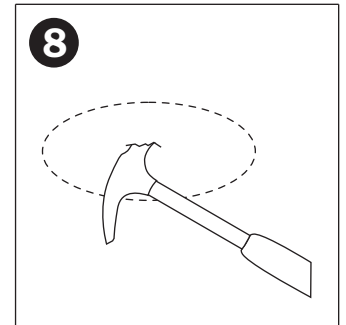
5a – Position trim hole to desired location by sliding housing
5b – Use centering holes on either side of base plate to line up a row of fixtures



6
To lock baseplate in place, bend tab with pliers over hanging bar.



7
Remove the Knock outs and make appropriate electrical connections.
See Dimming Instruction Diagram.

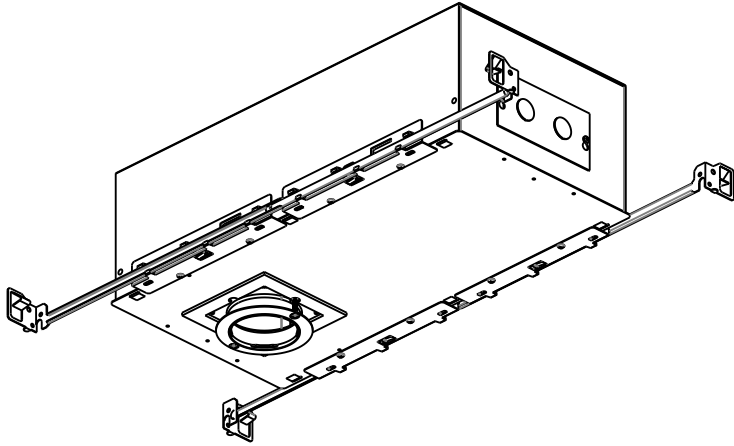


8
Mark approximate fixture location in ceiling

R2P-IC4A-R-TL-installation • Subject to change without notice • REV 2021.10.07

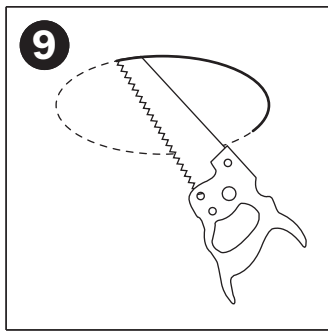
Install Guide

R2P-IC4A-R-TL I/C BASEPLATE

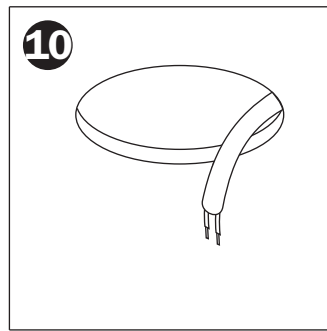


This product must be installed in accordance with the applicable code by a person familiar with the construction and operation of the product and the hazards involved. Read all of these instructions before installing.

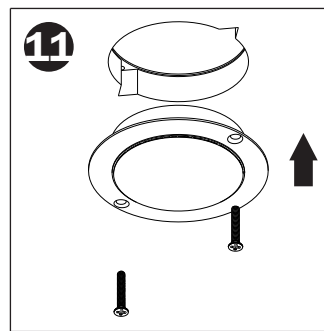
WARNING: Rated for non-insulated ceilings only (non IC rated)
WARNING: Disconnect power prior to servicing or installing.



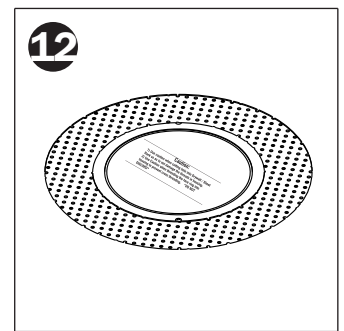
9
Cut open using baseplate hole as your guide



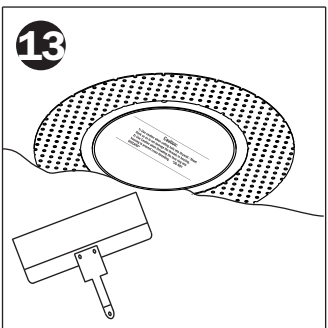
10
Caution: Careful attention should be made to cut within the hole diameter for the best fit
Pull electrical wire through



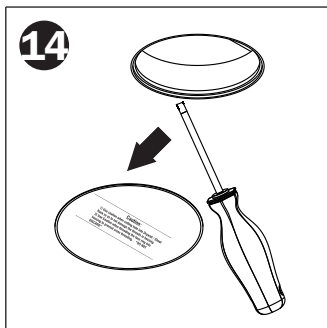
11
After drywall is cutout, cut notches to expose mounting holes on housing baseplate and install trimless frame with screws provided



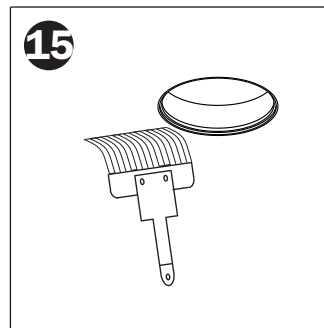
12
Apply factory supplied fibre mesh over trim collar edge. Insert cardboard cover into opening



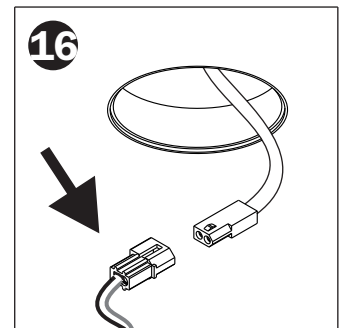
13
Apply thin coat of plaster mud onto trim collar and fibre mesh, using collar lip as the height guide. For best results feather mud 12" from edge of lip



14
Remove cardboard cover. Use a small screwdriver to clean the inside lip of the trim collar of any excess drywall mud



15
Paint ceiling. Excess paint on inside edge of ring may restrict the trim from sitting flat

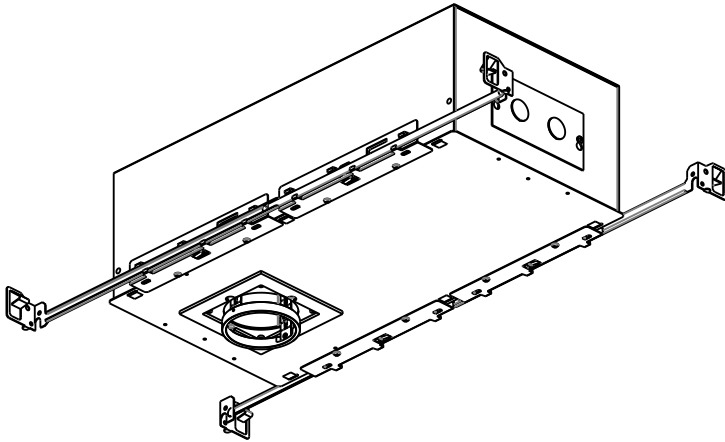


16
Connector hangs through hole until completion. Mate connectors.

R2P-IC4A-R-TL-installation • Subject to change without notice • REV 2021.10.07

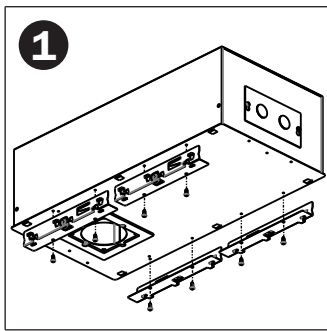
Install Guide

R2P-IC4A-R-TLW I/C BASEPLATE

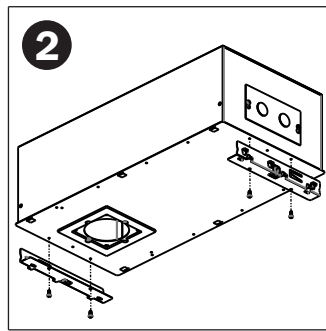


This product must be installed in accordance with the applicable code by a person familiar with the construction and operation of the product and the hazards involved. Read all of these instructions before installing.

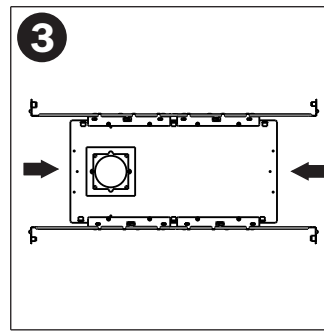
WARNING: Rated for non-insulated ceilings only (non IC rated)
WARNING: Disconnect power prior to servicing or installing.



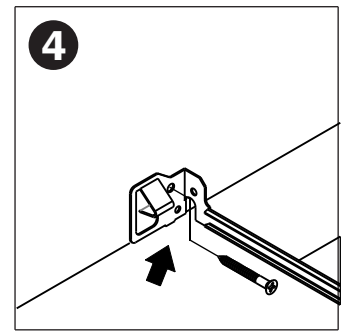
1
Horizontal mount use provided sheet metal screws.



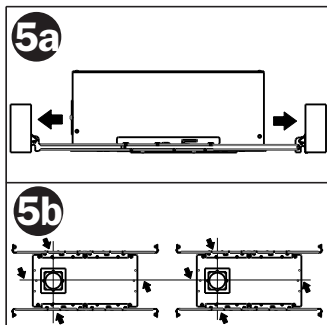
2
Optional Vertical mount. Align holes and use same screws.



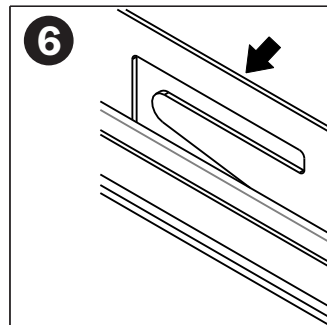
3
Slide hanging bars onto housing base plate



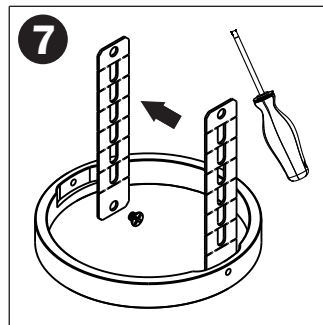
4
Line up bottom edge of hanging bars with bottom of wood joist and hammer in tabs. Nail or screw hanging bars into place



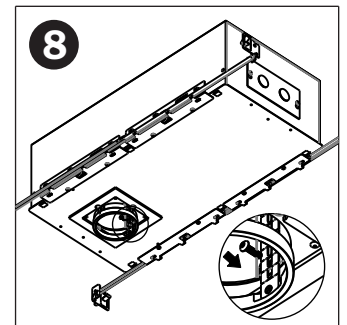
5a – Position trim hole to desired location by sliding housing
5b – Use centering holes on either side of base plate to line up a row of fixtures



6
To lock baseplate in place, bend tab with pliers over hanging bar.



7
Use provided machine screws to assemble extension arms to adapter ring.



8
Place adapter ring assembly inside of baseplate. Utilize slots on extension arms which fit best with wood thickness. Assemble with provided hex machine screws to hold in place.

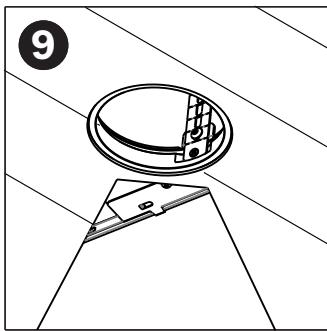
R2P-IC4A-R-TLW-installation • Subject to change without notice • REV 2021.06.30

Install Guide

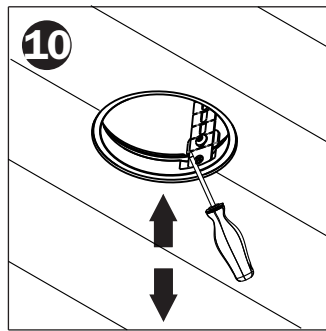
R2P-IC4A-R-TLW I/C BASEPLATE

This product must be installed in accordance with the applicable code by a person familiar with the construction and operation of the product and the hazards involved. Read all of these instructions before installing.

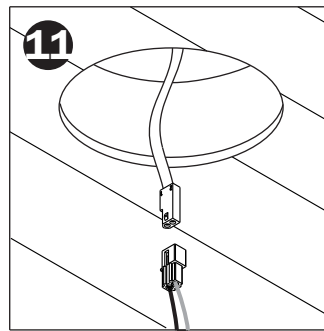
WARNING: Rated for non-insulated ceilings only (non IC rated)
WARNING: Disconnect power prior to servicing or installing.



Install wood ceiling. Hole size 3-1/32" to 3-1/16" Diameter. Can use adapter ring as template. **Do not use baseplate as hole template.**



Adjust transition ring height by loosening the 2 hex machine screws to make ring recess by 1/16". Trim will be flush with ceiling once installed.

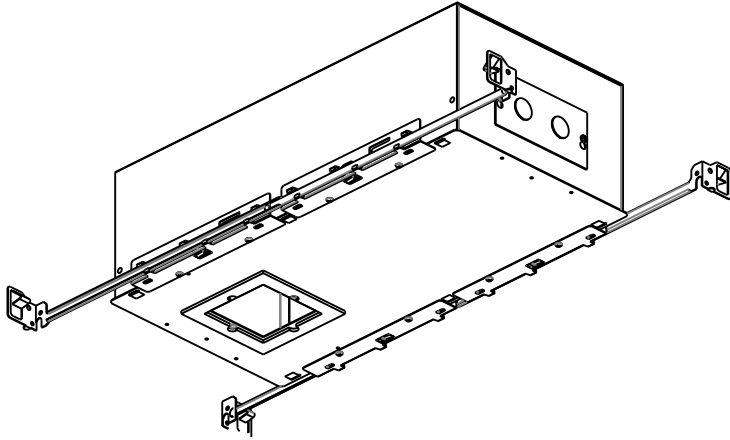


Connector hangs through hole until completion. Insert mating connector from trim and install trim into ceiling.

R2P-IC4A-R-TLW-installation • Subject to change without notice • REV 2021.06.30

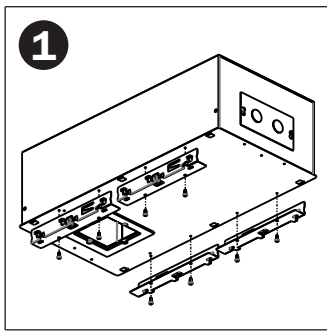
Install Guide

R2P-IC4A-S-TL I/C BASEPLATE

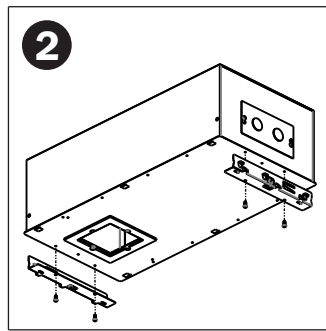


This product must be installed in accordance with the applicable code by a person familiar with the construction and operation of the product and the hazards involved. Read all of these instructions before installing.

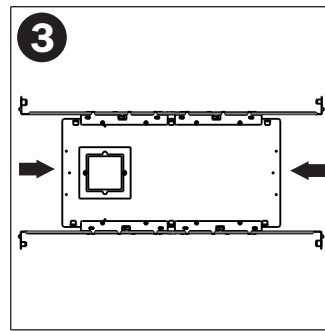
WARNING: Rated for non-insulated ceilings only (non IC rated)
WARNING: Disconnect power prior to servicing or installing.



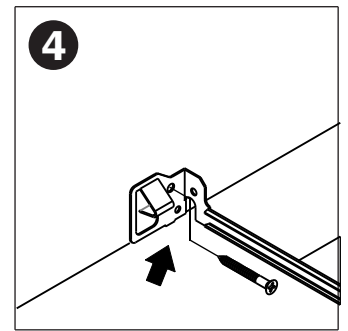
1
Horizontal mount use provided sheet metal screws.



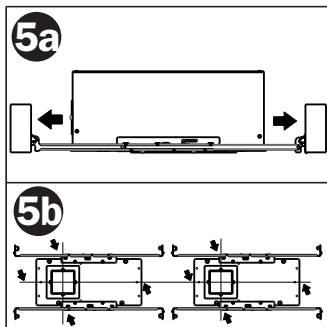
2
Optional Vertical mount. Align holes and use same screws.



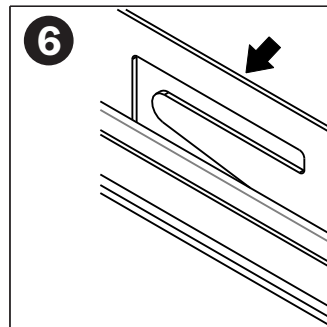
3
Slide hanging bars onto housing base plate



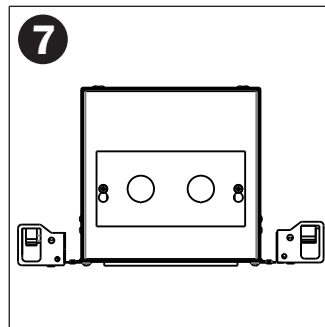
4
Line up bottom edge of hanging bars with bottom of wood joist and hammer in tabs. Nail or screw hanging bars into place



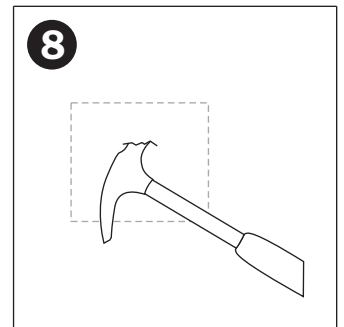
5a – Position trim hole to desired location by sliding housing
5b – Use centering holes on either side of base plate to line up a row of fixtures



6
To lock baseplate in place, bend tab with pliers over hanging bar.



7
Remove the Knock outs and make appropriate electrical connections.
See Dimming Instruction Diagram.

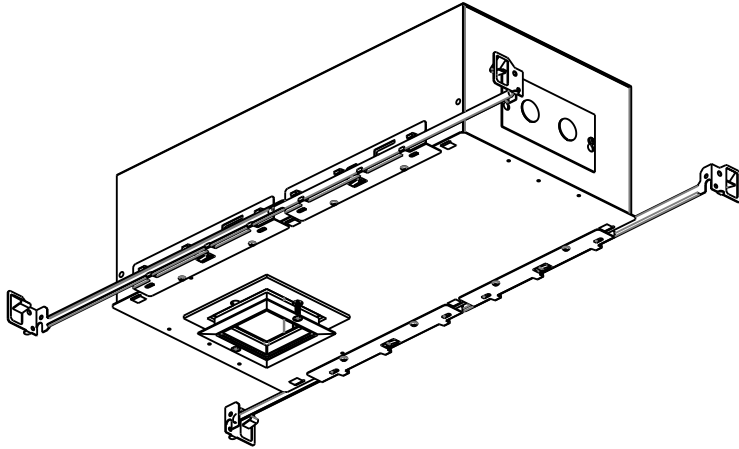


8
Mark approximate fixture location in ceiling

R2P-IC4A-S-TL-installation • Subject to change without notice • REV 2021.10.07

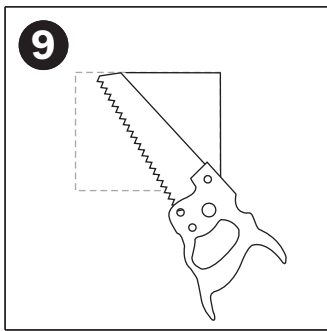
Install Guide

R2P-IC4A-S-TL I/C BASEPLATE

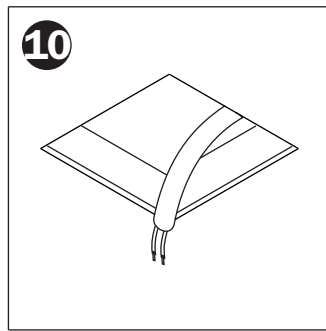


This product must be installed in accordance with the applicable code by a person familiar with the construction and operation of the product and the hazards involved. Read all of these instructions before installing.

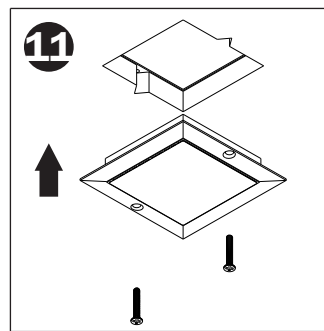
WARNING: Rated for non-insulated ceilings only (non IC rated)
WARNING: Disconnect power prior to servicing or installing.



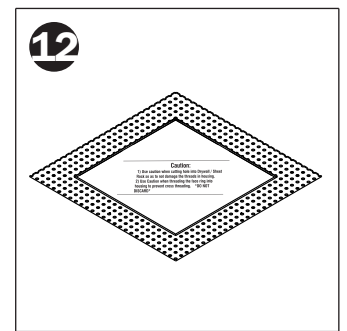
Cut open using baseplate hole as your guide



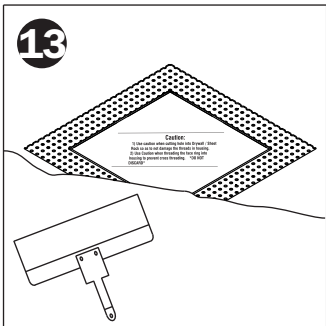
Caution: Careful attention should be made to cut within the hole diameter for the best fit
Pull electrical wire through



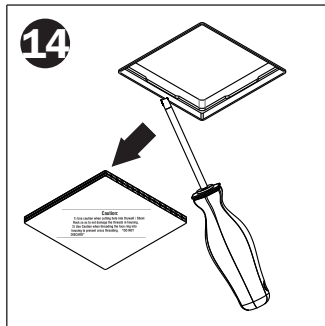
After drywall is cutout, cut notches to expose mounting holes on housing baseplate and install trimless frame with screws provided



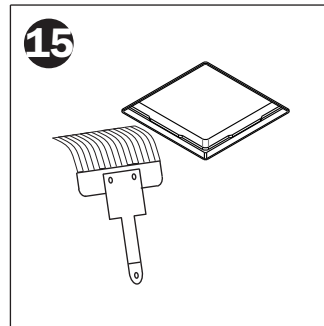
Apply factory supplied fibre mesh over trim collar edge. Insert cardboard cover into opening



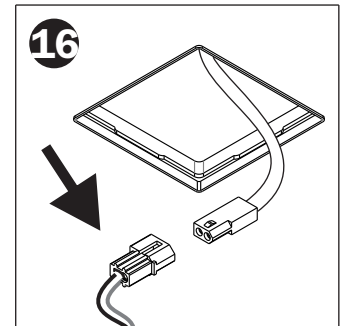
Apply thin coat of plaster mud onto trim collar and fibre mesh, using collar lip as the height guide. For best results feather mud 12" from edge of lip



Remove cardboard cover. Use a small screwdriver to clean the inside lip of the trim collar of any excess drywall mud



Paint ceiling. Excess paint on inside edge of ring may restrict the trim from sitting flat

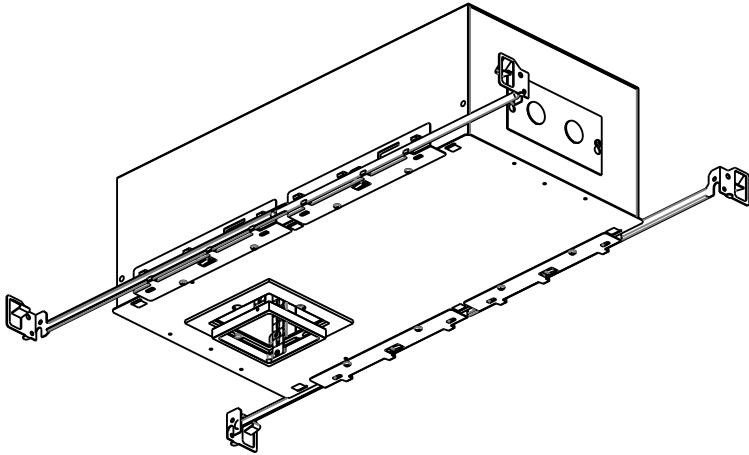


Connector hangs through hole until completion. Mate connectors.

R2P-IC4A-S-TL-installation • Subject to change without notice • REV 2021.10.07

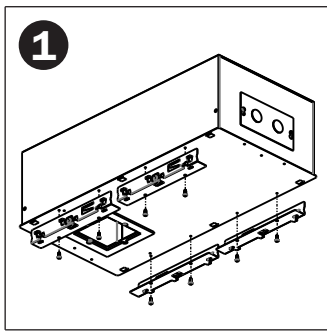
Install Guide

R2P-IC4A-S-TLW I/C BASEPLATE

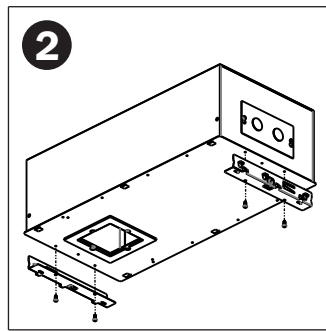


This product must be installed in accordance with the applicable code by a person familiar with the construction and operation of the product and the hazards involved. Read all of these instructions before installing.

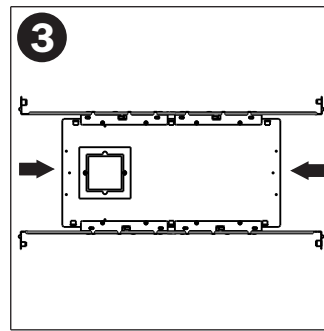
WARNING: Rated for non-insulated ceilings only (non IC rated)
WARNING: Disconnect power prior to servicing or installing.



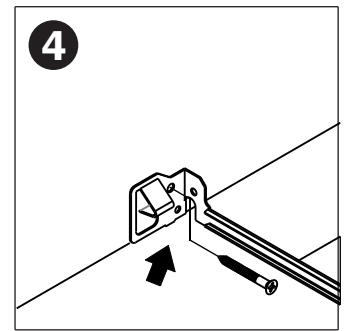
Horizontal mount use provided sheet metal screws.



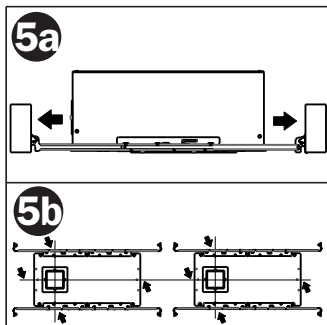
Optional Vertical mount. Align holes and use same screws.



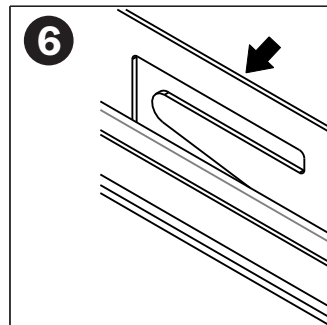
Slide hanging bars onto housing base plate



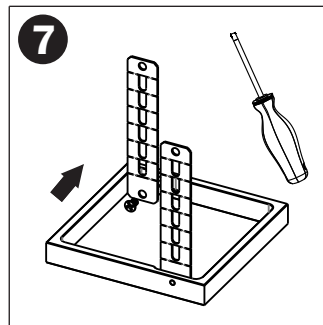
Line up bottom edge of hanging bars with bottom of wood joist and hammer in tabs. Nail or screw hanging bars into place



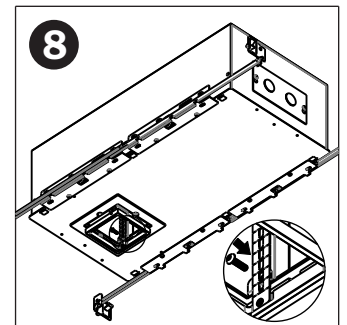
5a – Position trim hole to desired location by sliding housing
5b – Use centering holes on either side of base plate to line up a row of fixtures



To lock baseplate in place, bend tab with pliers over hanging bar.



Use provided machine screws to assemble extension arms to adapter ring.



Place adapter ring assembly inside of baseplate. Utilize slots on extension arms which fit best with wood thickness. Assemble with provided hex machine screws to hold in place.

R2P-IC4A-S-TLW-installation • Subject to change without notice • REV 2021.06.30

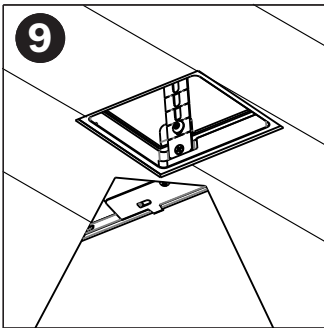
Install Guide

R2P-IC4A-S-TLW I/C BASEPLATE

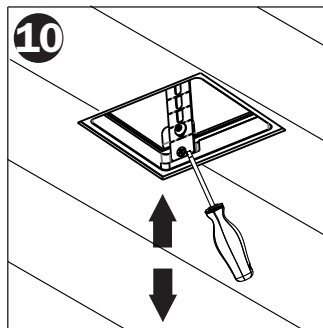
This product must be installed in accordance with the applicable code by a person familiar with the construction and operation of the product and the hazards involved. Read all of these instructions before installing.

WARNING: Rated for non-insulated ceilings only (non IC rated)

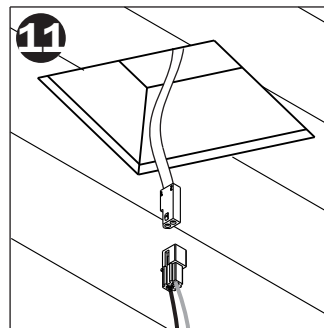
WARNING: Disconnect power prior to servicing or installing.



Install wood ceiling. Hole size 3-1/32" to 3-1/16" Square. Can use adapter ring as template. **Do not use baseplate as hole template.**



Adjust transition ring height by loosening the 2 hex machine screws to make ring recess by 1/16". Trim will be flush with ceiling once installed.



Connector hangs through hole until completion. Insert mating connector from trim and install trim into ceiling.

R2P-IC4A-S-TLW-installation • Subject to change without notice • REV 2021.06.30