

3" | Opus Shallow | Standard LED

Change trims, optics, and lenses without skipping a beat. Our Opus™ luminaires are an engineering masterpiece. make changes as quickly as; a-one, and a-two, and a-three.



OPUS SHALLOW

3" | Standard LED

RATINGS



Damp Location



Wet Location



Warm Dimming



California Title 24 JA8

CERTIFICATIONS



Intertek



5yr. Warranty

FEATURES

- 3" Aperture
- Suitable for $\geq 2.75"$ plenums heights
- Single piece white satin polycarbonate trims w/optional regressed aperture glass lens
- Damp location listed, wet location optional
- Dead-front trim when optional regressed aperture glass is used
- Media holder and clear lens standard with open trim option, optional media available
- Flag style mounting feet, designed for up to 1.25" ceiling thickness standard
- Anodized black heat sink
- Static CCT and warm dimming available
- Rated for insulated ceilings to a maximum ambient temperature of 40°C (104°F)

FLANGE & REFLECTOR FINISHES



White Satin

BEAM SPREADS



10°



20°



30°



40°



60°



70°

COLOR TEMPERATURES



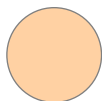
2700K



3000K



3500K



4000K



Warm Dim

PERFORMANCE SUMMARY

Color Accuracy (SDCM)	<3	
L70 Estimate (h)	50,000	
Color Rendering (CRI)	80	90
Lumen Series	8014	9010
Source Lumens	1755	1500
Delivered Lumens	1450	1225
LED Wattage	13	13
Lumen Series	8018	9014
Source Lumens	2450	2075
Delivered Lumens	1975	1675
LED Wattage	18	18

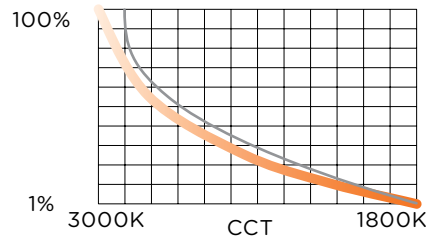
PERFORMANCE SUMMARY—WARM DIMMING

Color Accuracy (SDCM)	<3	
L70 Estimate (h)	50,000	
Color Rendering (CRI)	95	
Lumen Series	9510	
Source Lumens	1000	
Delivered Lumens	925	
LED Wattage	12	

- Source lumens are based on 3000K color temperature
- Delivered lumens are based on 3000K color temperature, 40° beam angle and no lens
- Lumen values do not apply to 10° beam angle
- Refer to IES files for individual product information
- Consult factory for additional lower lumen options

WARM DIMMING METRICS

— Warm Dimming — MR16 Halogen



OPUS SHALLOW

3" | Standard LED | Order Form

Order Code Example: T3SRF-T-WS-00-OPEN-B20-27-8014-S-120-R3P-F-R-T

PRODUCT NOTES:

- 00 Flange and reflector are a single piece.
- GSL & GFRO glass lens are attached to the regressed trim aperture and are wet location listed when selected.
- Dead-Front Trim when GSL & GFRO glass options are selected. Check with local codes for compliance.
- B10 (10° Beam) is only available with 8014 and 9010.
- S dimming is only available in 120 voltage.
- Media holder and media are only available with OPEN lens option. Comes standard with clear lens, optional media replaces clear lens when selected.
- Housing can be ordered and shipped prior to luminaire.
- SIC & SCP are available only for Lumen Series 3 - 8014, 9010 and 9510 (Warm Dim)
- Round & Square trim types utilize the same ceiling cutout shape
 - Wet Location
 - 3000K-1800K Warm Dimming only available in 9510
 - Title 24 JA8 qualified, consult factory for complete listing

SELECT A TRIM

[1] TRIM

- T3SRF** Shallow Round Fixed ●
- T3SSF** Shallow Square Fixed ●

[2] FLANGE TYPE

- T** Trimmed

[3] FLANGE FINISH

- WS** White Satin

[4] REFLECTOR FINISH

- 00** Single Piece Flange¹

[5] GLASS

[↓] MOUNTED TO TRIM

- OPEN** No Lens
- GSL** Softening ●^{2,3}
- GFRO** Frosted ●^{2,3}

[6] MODULE & BEAM SPREAD

- B10** 10° Beam⁴
- B20** 20° Beam
- B30** 30° Beam
- B40** 40° Beam
- B60** 60° Beam
- B70** 70° Beam

[7] COLOR TEMPERATURE

- 27** 2700K
- 30** 3000K
- 35** 3500K
- 40** 4000K
- 3018** 3000K-1800K ●

[8] LUMEN SERIES

- 8014** 80 CRI, 1775lm
- 9010** 90 CRI, 1500lm ●
- 8018** 80 CRI, 2450lm
- 9014** 90 CRI, 2075lm
- 9510** 95 CRI, 925lm ●●

[9] DIMMING

- S** Phase Dimming (1%)⁵
- P** 0-10V (1%)
- LH** Lutron Hi-lume EcoSystem
Soft-on Fade-to-Black(1%)

[10] VOLTAGE

- 120** 120V
- 277** 277V

[11] MEDIA (1 MAX)⁶

[↓] MOUNTED TO LIGHT ENGINE

- [Blank]** Clear
- SL** Softening
- FRO** Frosted
- HC** Honeycomb
- SPDL** Spread

SELECT A HOUSING

[12] HOUSING⁷

- R3P** 3" Baseplate

[13] CEILING

- F** Non-Insulated
- SIC** Shallow Insulated Airtight ●⁸
- SCP** Shallow Chicago Plenum⁸

[14] TRIM SHAPE

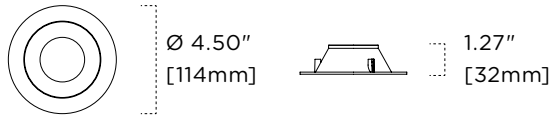
- R** Round⁹

[15] FLANGE TYPE

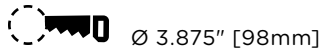
- T** Trimmed

ROUND TRIM DIMENSIONS

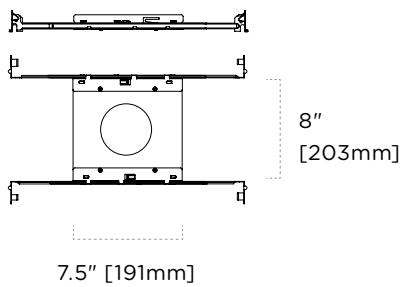
Fixed



CEILING CUTOUT

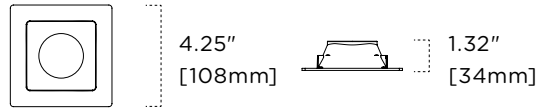


NON-INSULATED (F) HOUSING DIMENSIONS



SQUARE TRIM DIMENSIONS

Fixed

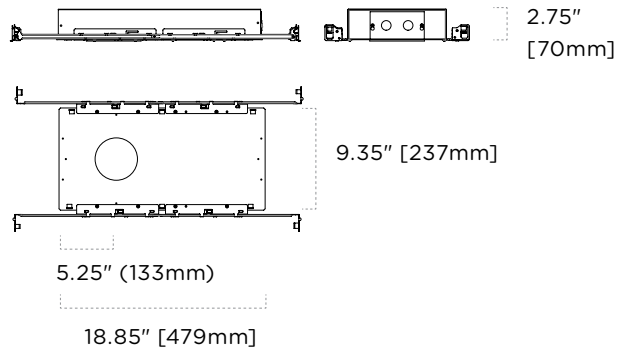


LIGHT ENGINE DIMENSIONS

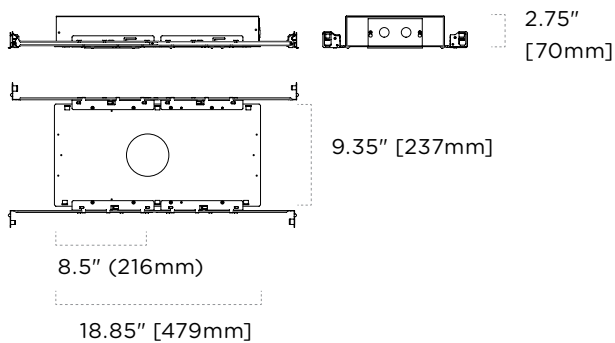
Fixed Trim



SHALLOW INSULATED AIRTIGHT (SIC) HOUSING DIMENSIONS



CHICAGO PLENUM (SCP) HOUSING DIMENSIONS



REMODEL DRIVER DIMENSIONS

* Minimum Required Plenum Height 2.75" [70mm] for 1" thick ceilings thickness or less

TRIMMED REMODEL DRIVER

