

3" | Opus Shallow | Premium LED

Change trims, optics, and lenses without skipping a beat. Our Opus™ luminaires are an engineering masterpiece. make changes as quickly as; a-one, and a-two, and a-three.



OPUS SHALLOW

3" | Premium LED

RATINGS



Damp
Location



Wet
Location



California
Title 24 JA8

CERTIFICATIONS



Intertek

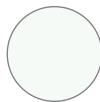


5yr. Warranty

FEATURES

- 3" Aperture
- Utilizes Xicato LED, 95 CRI, R9 ≥ 90
- Suitable for ≥ 2.75" plenums heights
- Single piece white satin polycarbonate trims w/optional regressed aperture glass lens
- Damp location listed, wet location optional
- Dead-front trim when optional regressed aperture glass is used
- Media holder and clear lens standard with open trim option, optional media available
- Flag style mounting feet, designed for up to 1.25" ceiling thickness standard
- Anodized black heat sink
- Rated for insulated ceilings to a maximum ambient temperature of 40°C (104°F)

FLANGE & REFLECTOR FINISHES



White
Satin

BEAM SPREADS



20°



30°



40°



60°



70°

COLOR TEMPERATURES



2700K



3000K



3500K

PERFORMANCE SUMMARY

Color Accuracy (SDCM)	<1x2
L70 Estimate (h)	50,000
Color Rendering (CRI)	95
Lumen Series	9508
Source Lumens	1000
Delivered Lumens	800
LED Wattage	9
Lumen Series	9510
Source Lumens	1300
Delivered Lumens	1075
LED Wattage	13
Lumen Series	9514
Source Lumens	1800
Delivered Lumens	1425
LED Wattage	18

- Source lumens are based on 3000K color temperature
- Delivered lumens are based on 3000K color temperature, 40° beam angle and no lens
- Refer to IES files for individual product information

OPUS SHALLOW

3" | Premium LED | Order Form

Order Code Example: T3SRF-T-WS-00-OPEN-X20-27-9508-S-120-R3P-F-R-T

PRODUCT NOTES:

- 00 Flange and reflector are a single piece.
- GSL & GFRO glass lens are attached to the regressed trim aperture and are wet location listed when selected.
- Dead-Front Trim when GSL & GFRO glass options are selected. Check with local codes for compliance.
- S dimming is only available in 120 voltage.
- Media holder and media are only available with OPEN lens option. Comes standard with clear lens, optional media replaces clear lens when selected.
- Housing can be ordered and shipped prior to luminaire.
- SIC & SCP are available only for Lumen series 9508 and 9510
- Round & Square trim types utilize the same ceiling cutout shape

● Wet Location

● Title 24 JA8 qualified, consult factory for complete listing

SELECT A TRIM

[1] TRIM

- T3SRF** Shallow Round Fixed ●
- T3SSF** Shallow Square Fixed ●

[2] FLANGE TYPE

- T** Trimmed

[3] FLANGE FINISH

- WS** White Satin

[4] REFLECTOR FINISH

- 00** Single Piece Flange¹

[5] GLASS

- OPEN** No Lens
- GSL** Softening ●^{2,3}
- GFRO** Frosted ●^{2,3}

[6] MODULE & BEAM SPREAD

- X20** 20° Beam
- X30** 30° Beam
- X40** 40° Beam
- X60** 60° Beam
- X70** 70° Beam

[7] COLOR TEMPERATURE

- 27** 2700K
- 30** 3000K
- 35** 3500K

[8] LUMEN SERIES

- 9508** 95 CRI, 1000lm ●
- 9510** 95 CRI, 1300lm ●
- 9514** 95 CRI, 1800lm ●

[9] DIMMING

- S** Phase Dimming (1%)⁴
- P** 0-10V (1%)
- LH** Lutron Hi-lume EcoSystem
Soft-on Fade-to-Black (1%)

[10] VOLTAGE

- 120** 120V
- 277** 277V

[11] MEDIA (1 MAX)⁵

[↓] MOUNTED TO LIGHT ENGINE

- [Blank]** Clear
- SL** Softening
- FRO** Frosted
- HC** Honeycomb
- SPDL** Spread

SELECT A HOUSING

[12] HOUSING⁶

- R3P** 3" Baseplate

[13] CEILING

- F** Non-Insulated
- SIC** Shallow Insulated Airtight ●⁷
- SCP** Shallow Chicago Plenum⁷

[14] TRIM SHAPE

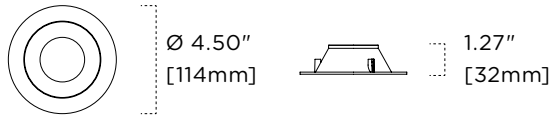
- R** Round⁸

[15] FLANGE TYPE

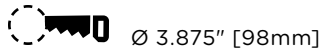
- T** Trimmed

ROUND TRIM DIMENSIONS

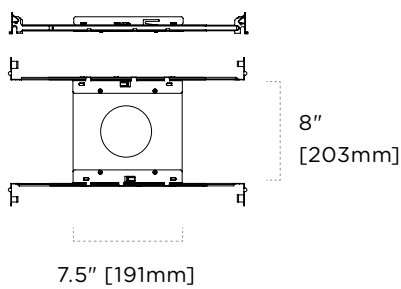
Fixed



CEILING CUTOUT

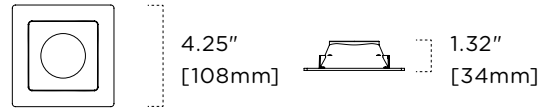


NON-INSULATED (F) HOUSING DIMENSIONS



SQUARE TRIM DIMENSIONS

Fixed

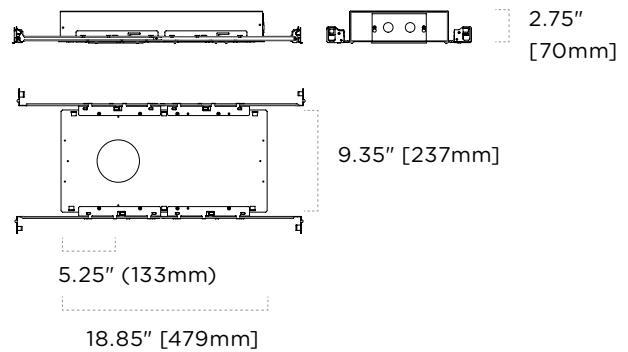


LIGHT ENGINE DIMENSIONS

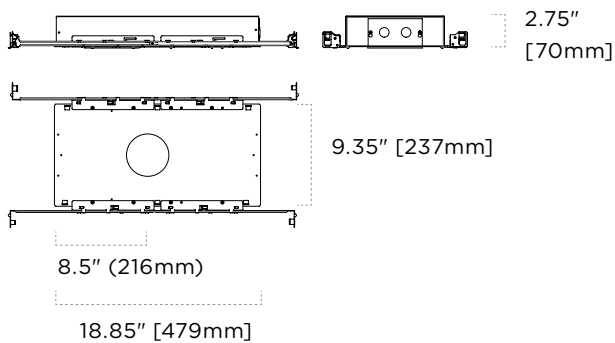
Fixed Trim



SHALLOW INSULATED AIRTIGHT (SIC) HOUSING DIMENSIONS



CHICAGO PLENUM (SCP) HOUSING DIMENSIONS



REMODEL DRIVER DIMENSIONS

* Minimum Required Plenum Height 2.75" [70mm] for 1" thick ceilings thickness or less

TRIMMED REMODEL DRIVER

