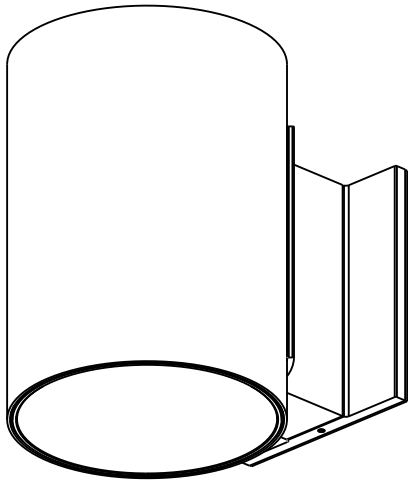


# Install Guide

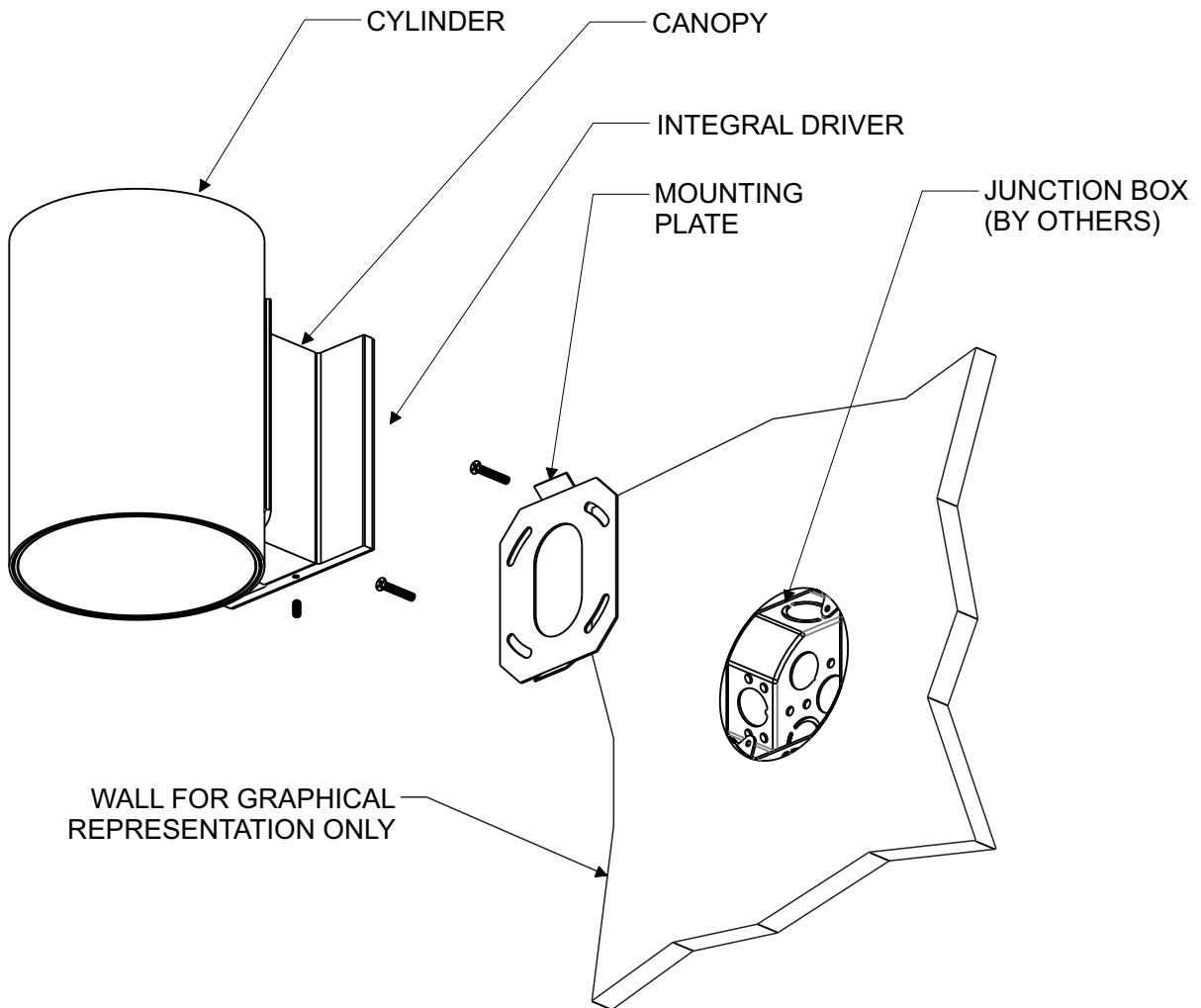
## LED PIPE CYLINDER C5WRD & UD WALL MOUNT DOWN & UP/DOWN C5

### LED PIPE™



**This product must be installed in accordance with the applicable code by a person familiar with the construction and operation of the product and the hazards involved. Read all of these instructions before installing.**

**WARNING:** Disconnect power prior to servicing or installing.

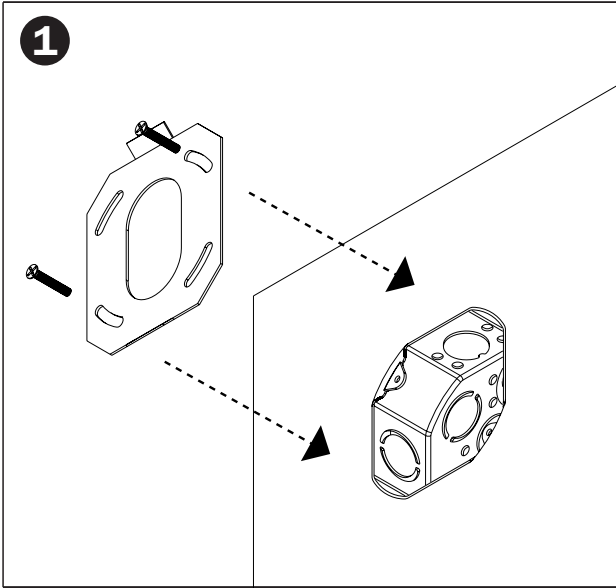


Led Pipe Cylinder-C5WR-Installation • Subject to change without notice • REV 2022.08.30

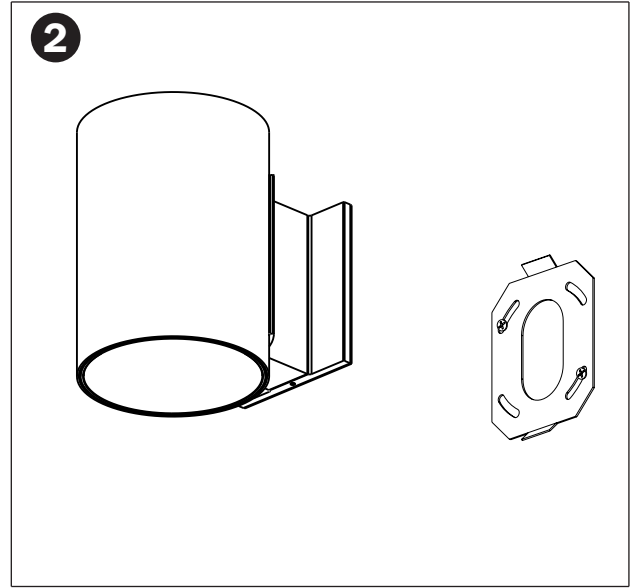
# Install Guide

## LED PIPE™

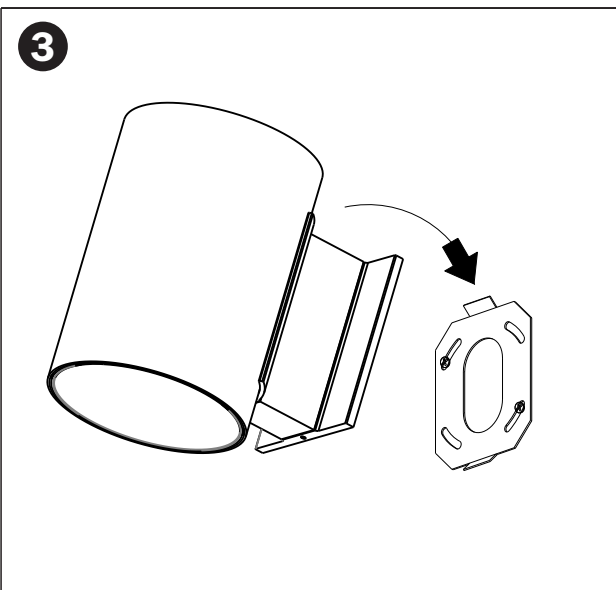
### LED PIPE CYLINDER C5WRD & UD WALL MOUNT DOWN & UP/DOWN C5



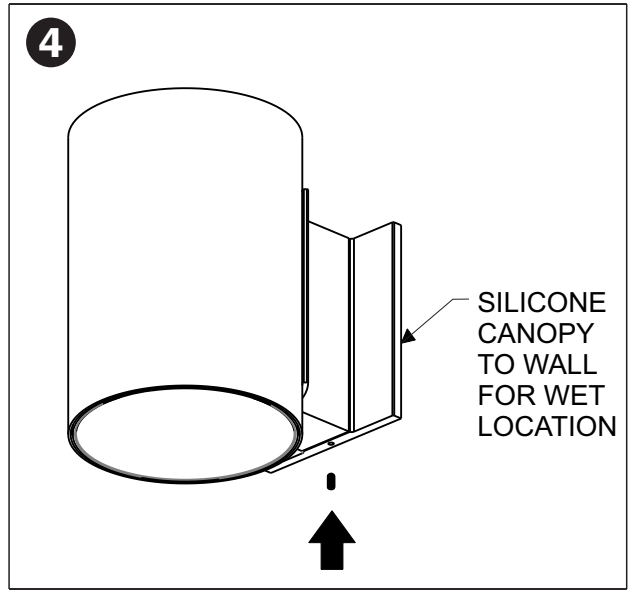
Fasten mounting plate to junction box (by others) with supplied fasteners.



Make supply connections. Check with wiring diagrams.



Attach cylinder and canopy to rest on the top tab of the mounting plate.



Fasten canopy to bottom tab of the mounting plate with the set screw. Silicone canopy to wall for wet location.

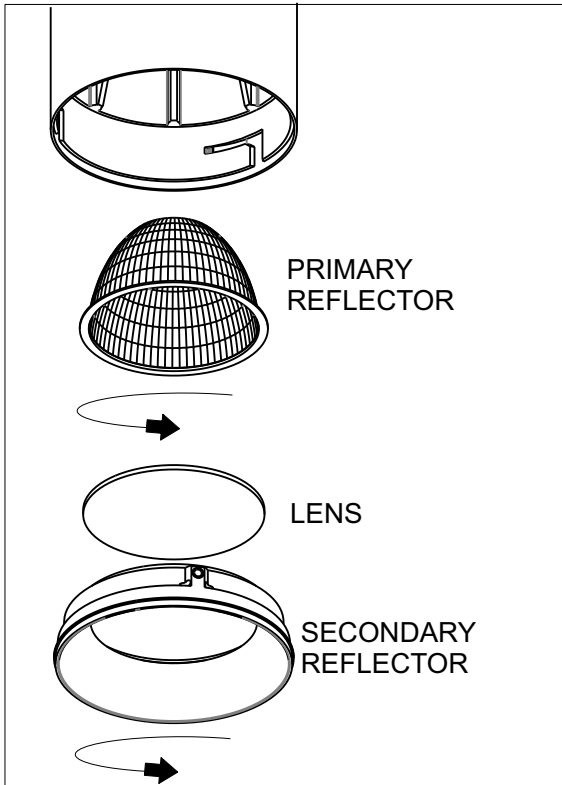
Led Pipe Cylinder-C5WR-Installation • Subject to change without notice • REV 2022.08.30

# Install Guide

## LED PIPE™

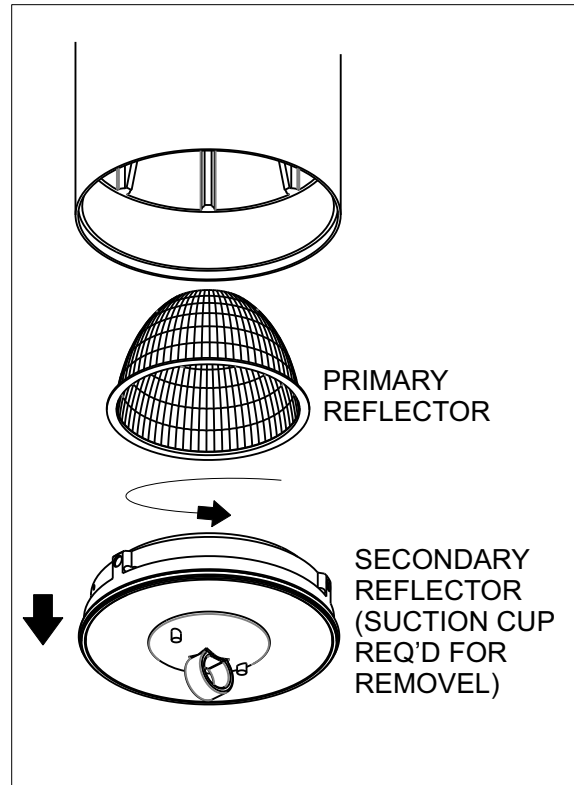
LED PIPE CYLINDER  
C5WRD & UD  
WALL MOUNT  
DOWN & UP/DOWN C5

### REFLECTOR + LENS SERVICE (DAMP LOCATION)



To service or change the reflector and lens, rotate the secondary reflector 45° counter clockwise to release. Lens is silicone to secondary reflector. Seal would need to be broken with the option of re-silicone to replace. Rotate the primary reflector 45° counter clockwise to release.

### REFLECTOR SERVICE (WET LOCATION)



To service or change the reflector. Press suction cup onto glass and pull. Hold onto cylinder while pulling if possible. Contact factory for suction cup procurement. Rotate the primary reflector 45° counter clockwise to release.

Led Pipe Cylinder-C5WR-Installation • Subject to change without notice • REV 2022.08.30