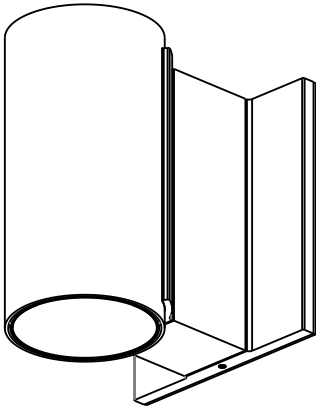


Install Guide

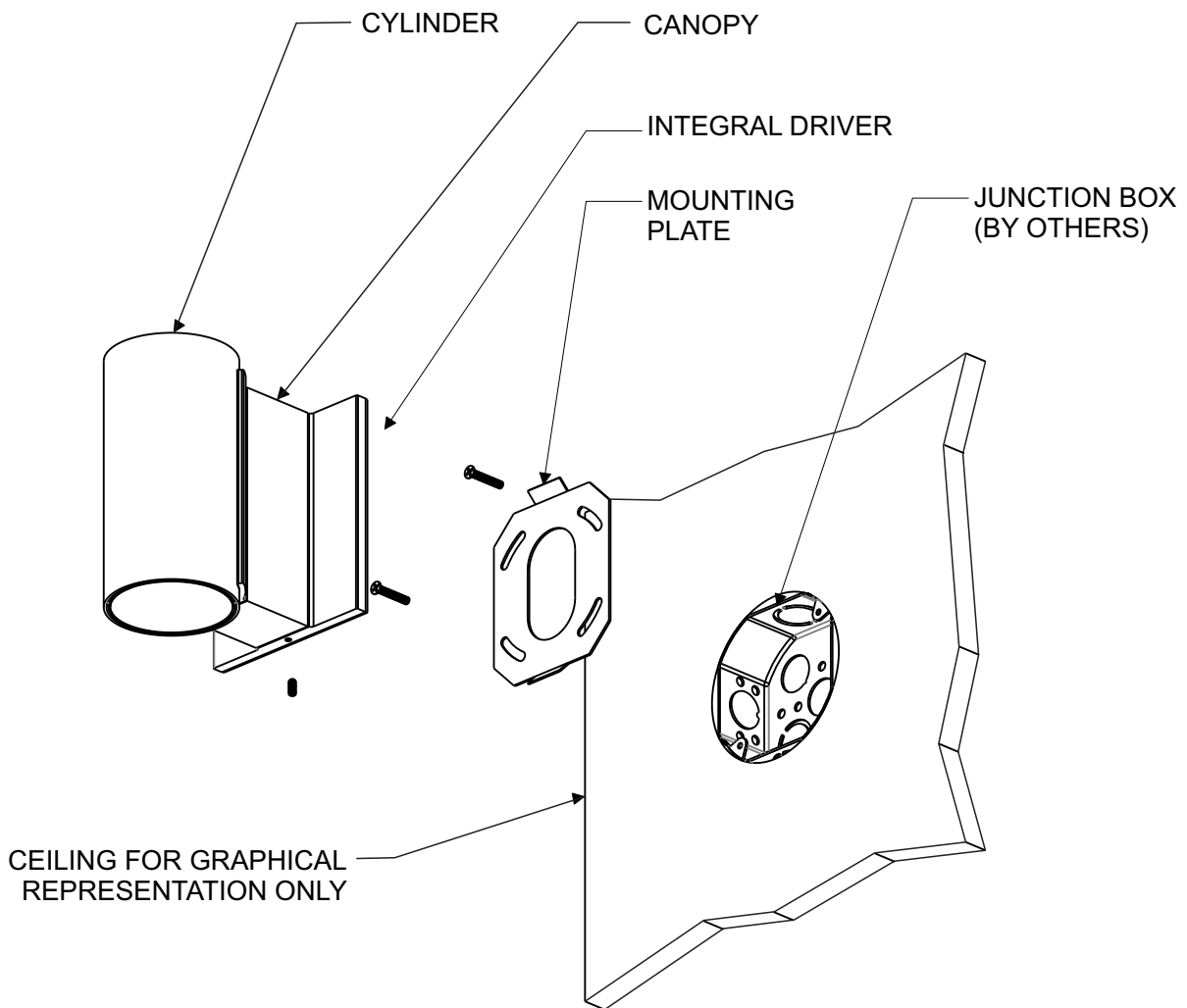
LED PIPE™

LED PIPE CYLINDER
C3WRD & UD
WALL MOUNT
DOWN & UP/DOWN C3



This product must be installed in accordance with the applicable code by a person familiar with the construction and operation of the product and the hazards involved. Read all of these instructions before installing.

WARNING: Disconnect power prior to servicing or installing.

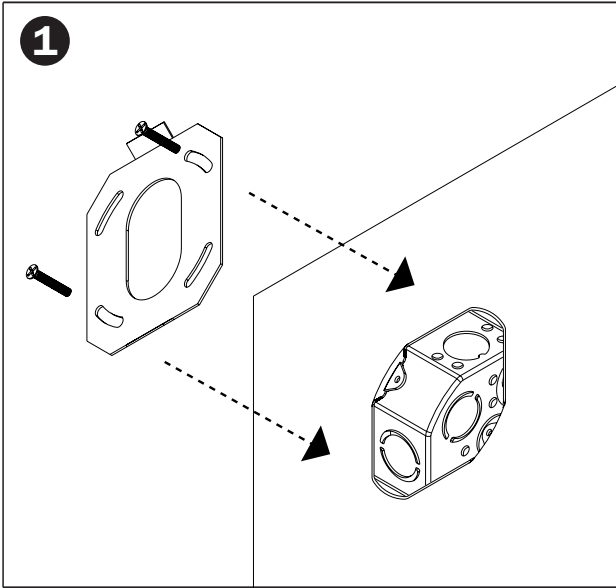


Led Pipe Cylinder-C3WRD-Installation • Subject to change without notice • REV 2022.09.13

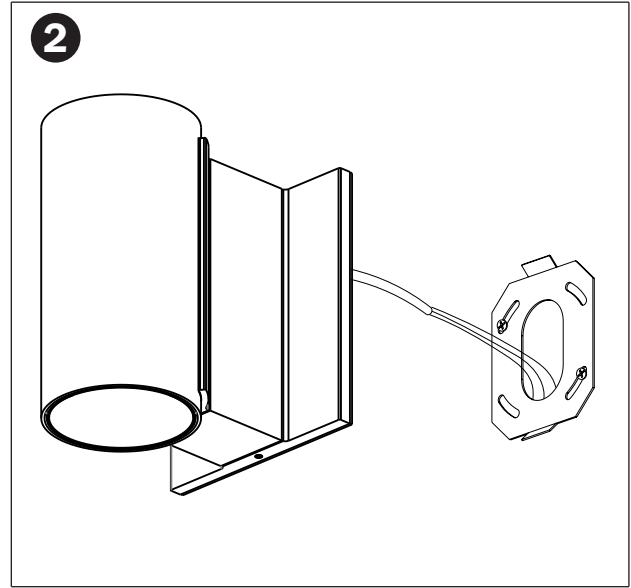
Install Guide

LED PIPE™

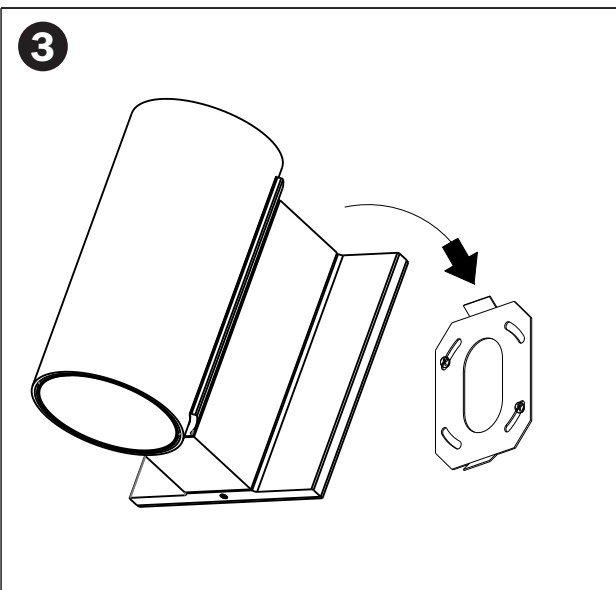
LED PIPE CYLINDER C3WRD & UD WALL MOUNT DOWN & UP/DOWN C3



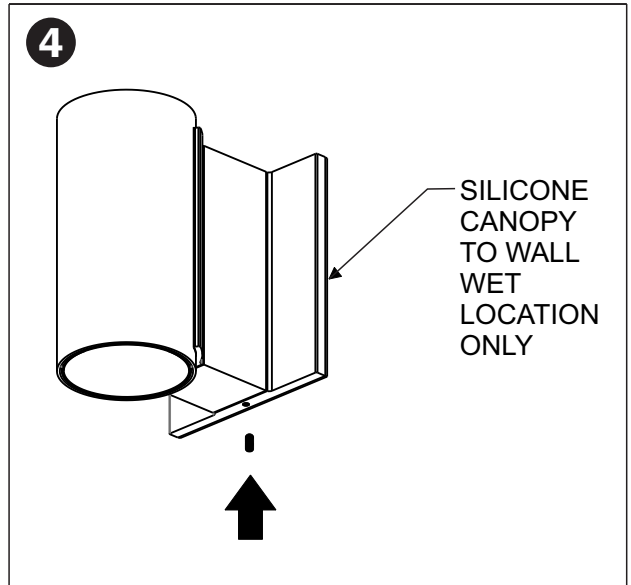
Fasten mounting plate to junction box (by others) with supplied fasteners.



Make supply connections. Check with wiring diagrams.



Attach cylinder and canopy to rest on the top tab of the mounting plate.



Fasten canopy to bottom tab of the mounting plate with the set screw. Silicone canopy to wall for wet location only.

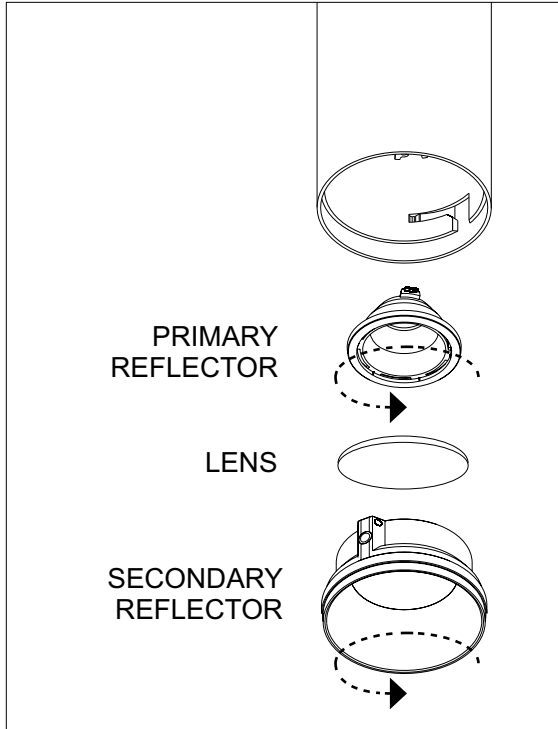
Led Pipe Cylinder-C3WRD-Installation • Subject to change without notice • REV 2022.09.13

Install Guide

LED PIPE™

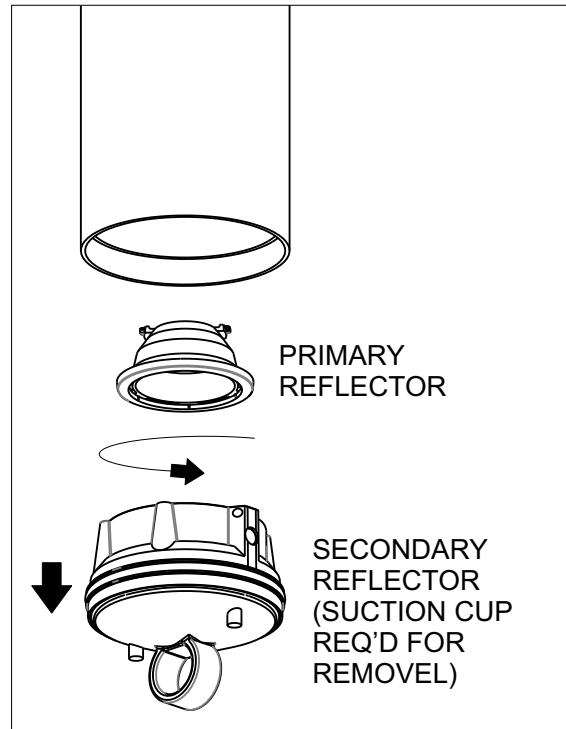
LED PIPE CYLINDER
C3WRD & UD
WALL MOUNT
DOWN & UP/DOWN C3

REFLECTOR + LENS SERVICE (DAMP LOCATION)



To service or change the reflector and lens, rotate the secondary reflector 45° counter clockwise to release. Then rotate the primary reflector 45° counter clockwise to release.

REFLECTOR SERVICE (WET LOCATION)



To service or change the reflector. Press suction cup onto glass and pull. Hold onto cylinder while pulling if possible. Contact factory for suction cup procurement. Rotate the primary reflector 45° counter clockwise to release.

Led Pipe Cylinder-C3WRD-Installation • Subject to change without notice • REV 2022.09.13