

Install Guide

LED PIPE

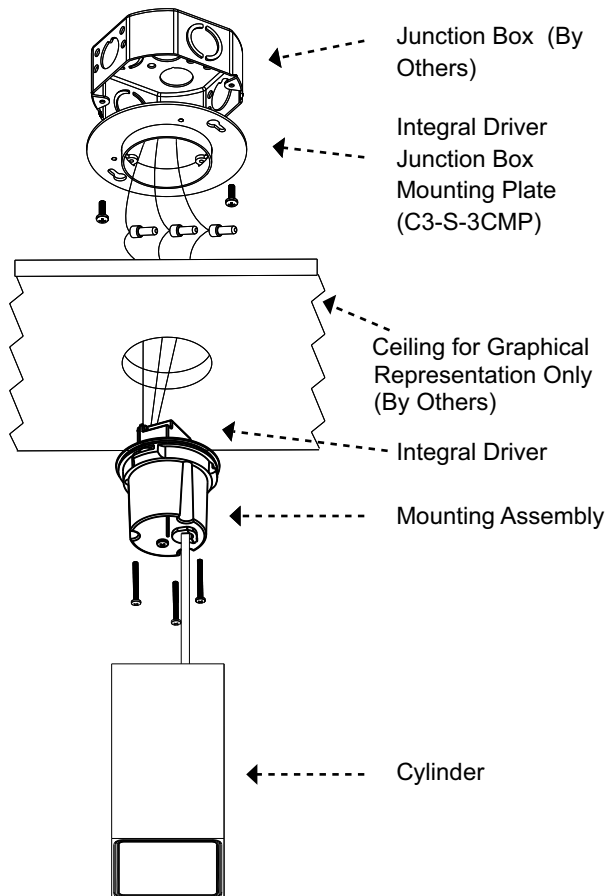
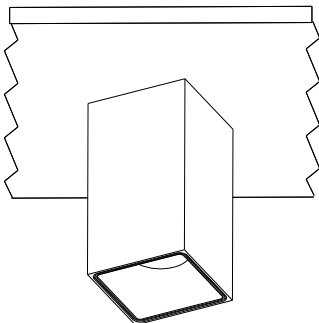
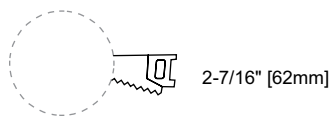
LED PIPE CYLINDER
C3SS-3C
SURFACE MOUNT
INTEGRAL DRIVER (S&P DIMMING)

WARNING

This product must be installed in accordance with the applicable code by a person familiar with the construction and operation of the product and the hazards involved.

Risk of Fire or Electric Shock. Serious injury or death may occur. **TURN OFF POWER** prior to servicing or installing this product.

CEILING CUTOUT DIMENSIONS

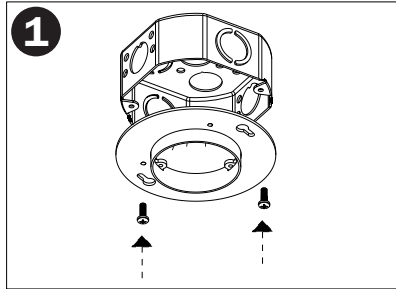


Led Pipe Cylinder-C3SS-Installation • Subject to change without notice • REV 2025.01.23

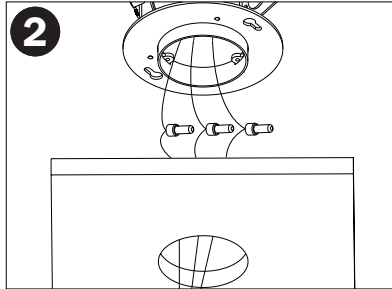
Install Guide

LED PIPE

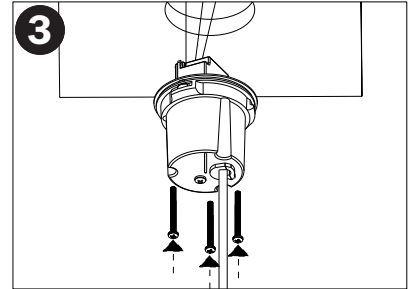
LED PIPE CYLINDER
C3SS-3C
SURFACE MOUNT
INTEGRAL DRIVER (S&P DIMMING)



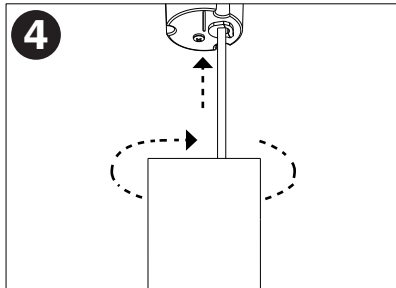
1 Fasten mounting plate to junction box (by others). **Must be installed prior to ceiling installation.**



2 Connect driver leads to supply voltage. Ensure the correct voltage is selected. Refer to "Wiring Instructions" document.



3 Fasten recessed canopy to junction box mounting plate with supplied fasteners. White line on bottom of recessed canopy indicates direction of square cylinder walls.



4 Ensure secondary leads are connected (+)(-) with lever locks. Twist cylinder clockwise to lock to the mounting assembly. If cylinder is not aligned, unlock from mounting assembly, rotate cylinder 120deg and lock again.

Led Pipe Cylinder-C3SS-Installation • Subject to change without notice • REV 2025.01.23

Install Guide

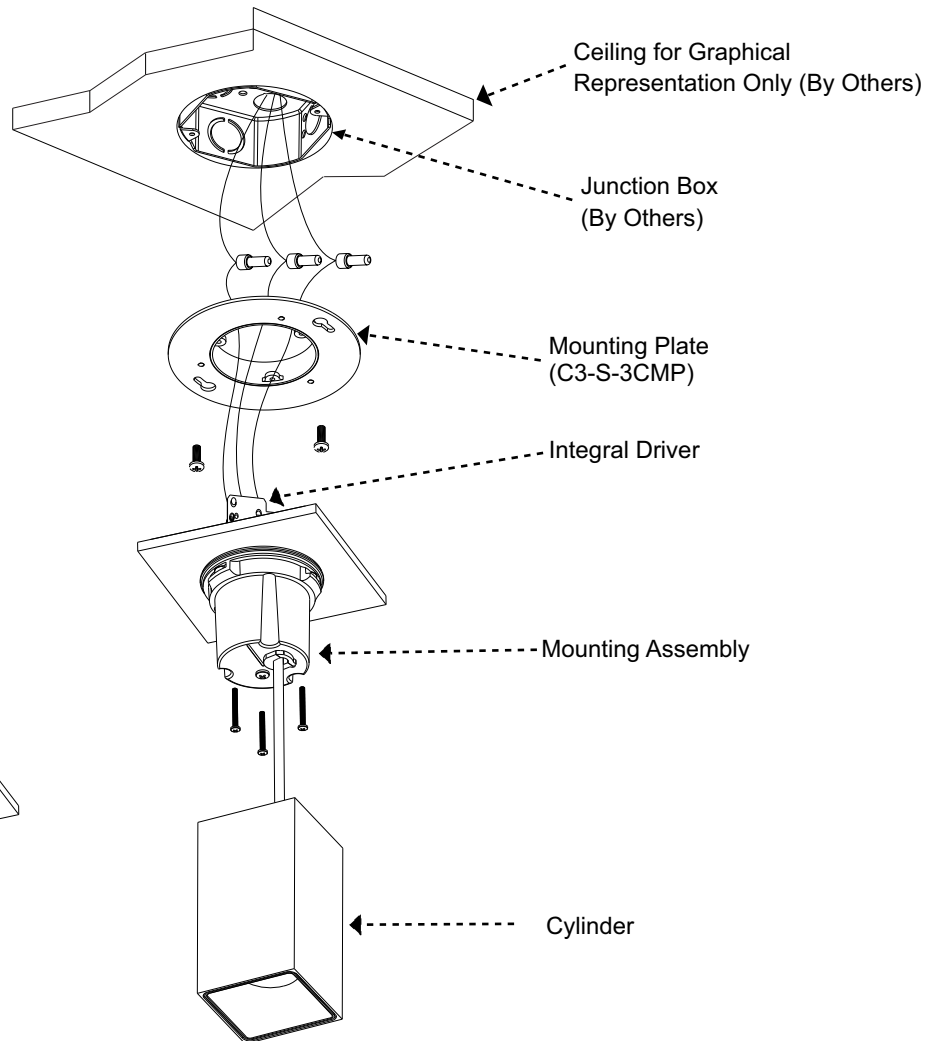
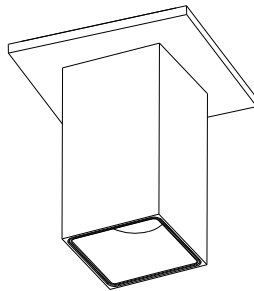
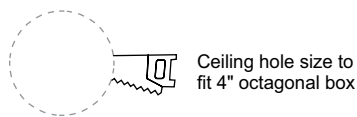
LED PIPE

LED PIPE CYLINDER
C3SS-5C
SURFACE MOUNT
INTEGRAL DRIVER (S&P DIMMING)

WARNING

This product must be installed in accordance with the applicable code by a person familiar with the construction and operation of the product and the hazards involved.

Risk of Fire or Electric Shock. Serious injury or death may occur. **TURN OFF POWER** prior to servicing or installing this product.

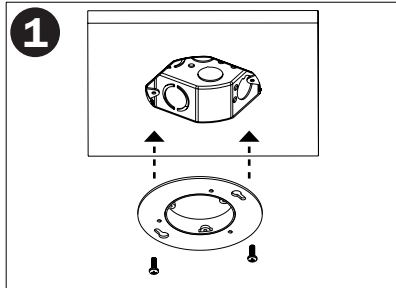


Led Pipe Cylinder-C3SS-Installation • Subject to change without notice • REV 2025.01.23

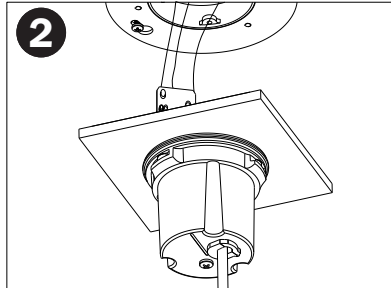
Install Guide

LED PIPE

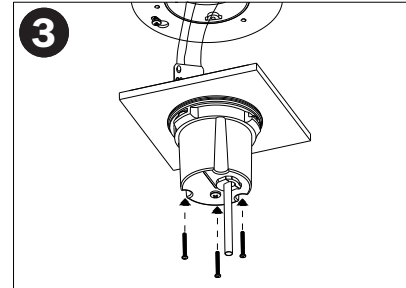
LED PIPE CYLINDER
C3SS-5C
SURFACE MOUNT
INTEGRAL DRIVER (S&P DIMMING)



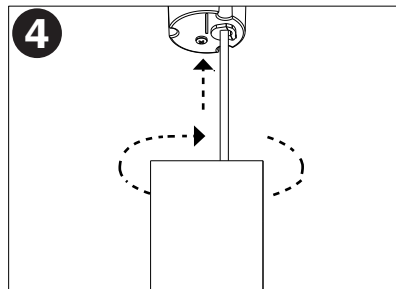
1 Fasten mounting plate to junction box (by others),



2 Connect driver leads to supply voltage. Ensure the correct voltage is selected. Refer to "Wiring Instructions" document.



3 Fasten mounting assembly to the mounting plate with supplied fasteners.



4 Ensure secondary leads are connected (+)(-) with lever locks. Twist cylinder clockwise to lock to the mounting assembly. If cylinder is not aligned with canopy, unlock from mounting assembly, rotate cylinder 120deg and lock again.

Led Pipe Cylinder-C3SS-Installation • Subject to change without notice • REV 2025.01.23

Install Guide

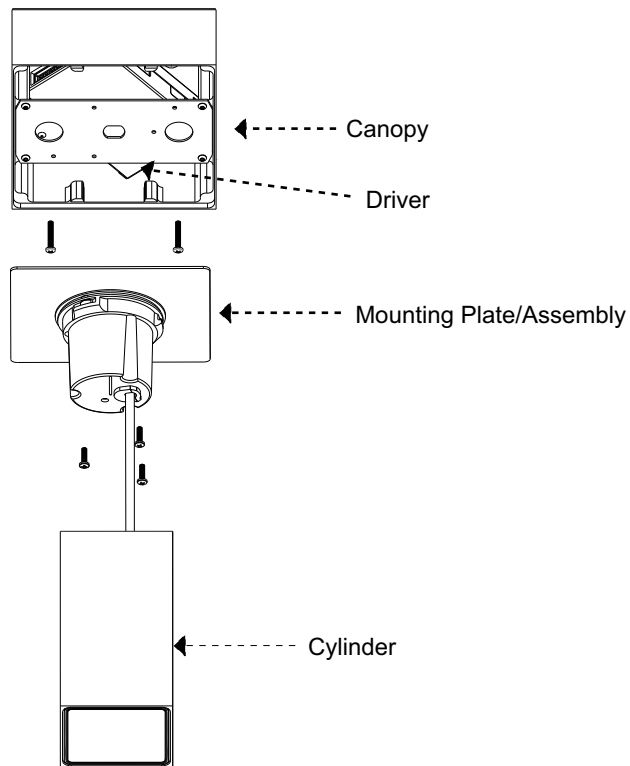
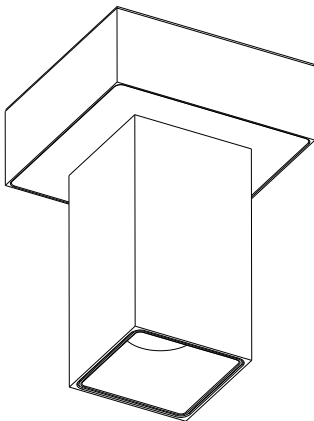
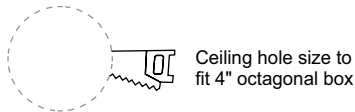
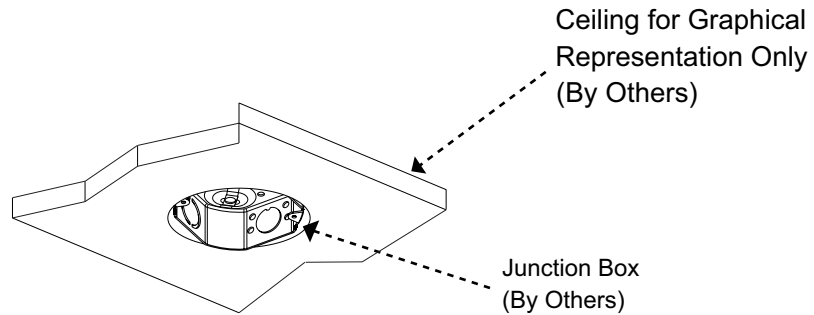
LED PIPE

LED PIPE CYLINDER
C3SS-5C
SURFACE MOUNT
(D, LH, P1 DIMMING)

WARNING

This product must be installed in accordance with the applicable code by a person familiar with the construction and operation of the product and the hazards involved.

Risk of Fire or Electric Shock. Serious injury or death may occur. **TURN OFF POWER** prior to servicing or installing this product.

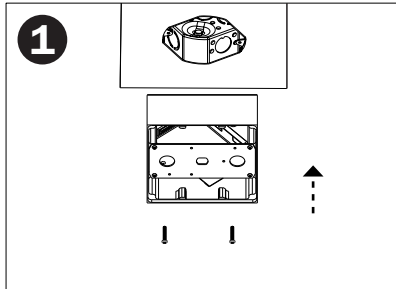


Led Pipe Cylinder-C3SS-Installation • Subject to change without notice • REV 2025.01.23

Install Guide

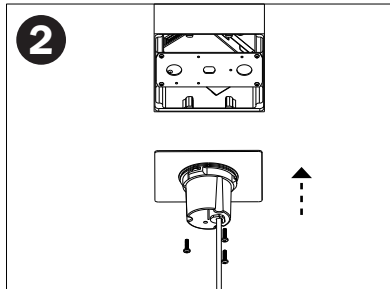
LED PIPE

LED PIPE CYLINDER
C3SS-5C
SURFACE MOUNT
(D, LH, P1 DIMMING)

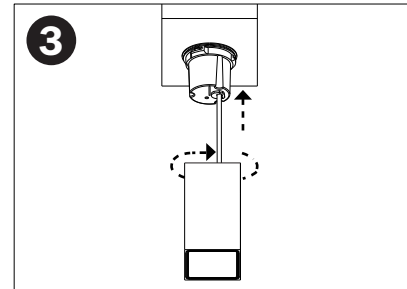


1 Make primary wire connections. Assemble canopy to junction box through oblong slots with machine screws.

For junction box with parallel screw mounting, remove driver and use undercut screws (supplied) in slots with chamfer. Re-attach driver to plate.



2 Fasten mounting plate assembly to canopy. If wet location press fit required.



3 Ensure secondary leads are connected (+)(-) with lever locks. Twist cylinder clockwise to lock to the mounting assembly. If cylinder is not aligned with canopy, unlock from mounting assembly, rotate cylinder 120deg and lock again.

Led Pipe Cylinder-C3SS-Installation • Subject to change without notice • REV 2025.01.23

Install Guide

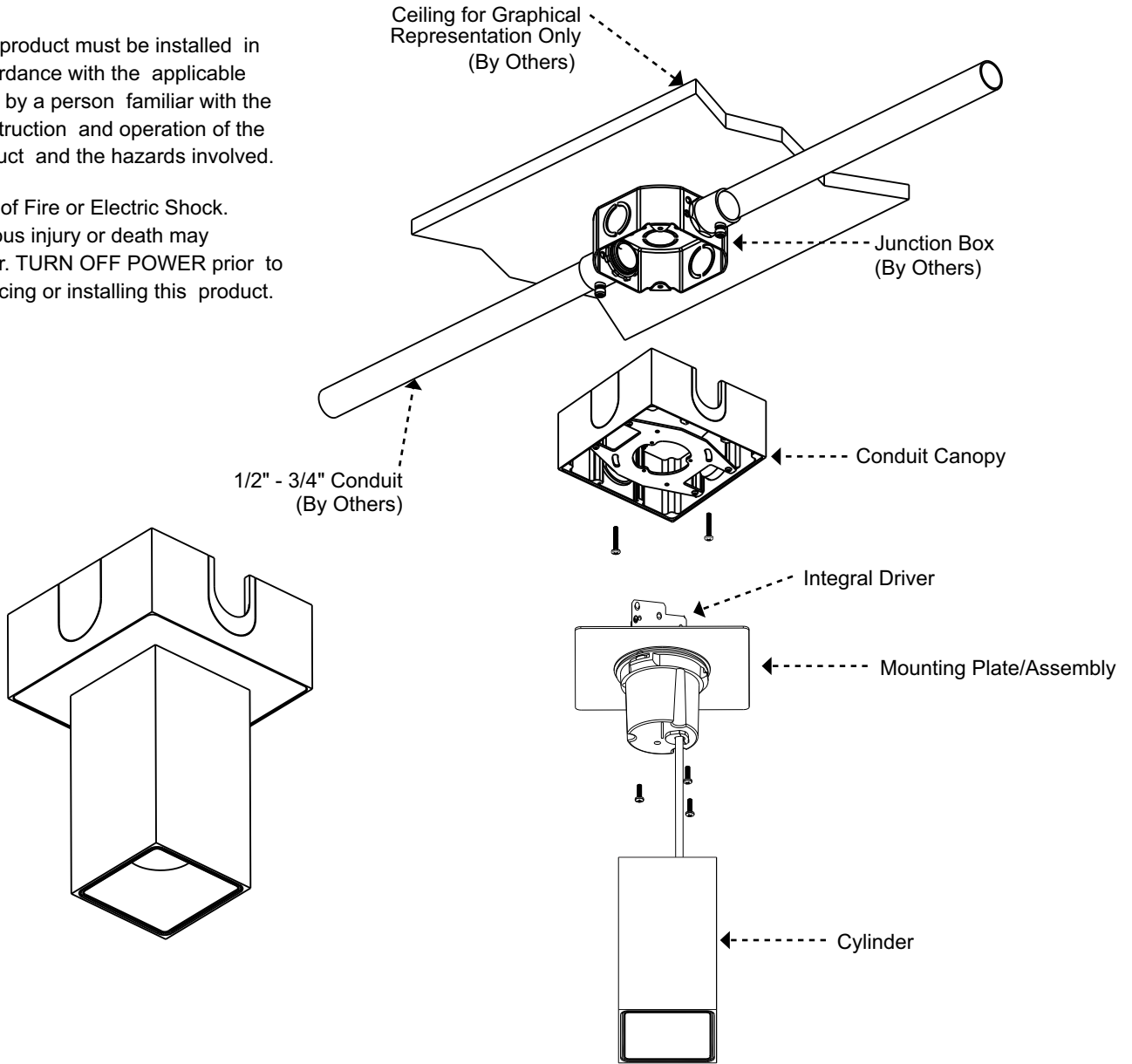
LED PIPE

LED PIPE CYLINDER C3SS-CM CONDUIT SURFACE MOUNT INTEGRAL DRIVER (S&P DIMMING)

WARNING

This product must be installed in accordance with the applicable code by a person familiar with the construction and operation of the product and the hazards involved.

Risk of Fire or Electric Shock. Serious injury or death may occur. **TURN OFF POWER** prior to servicing or installing this product.

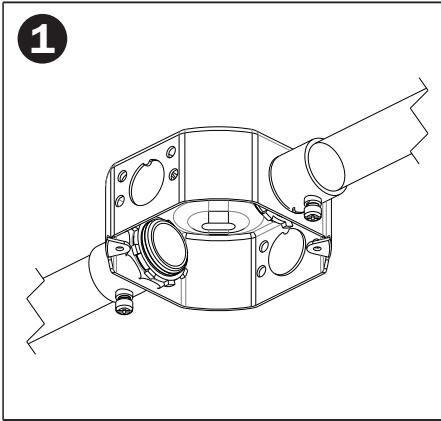


Led Pipe Cylinder-C3SS-Installation • Subject to change without notice • REV 2025.01.23

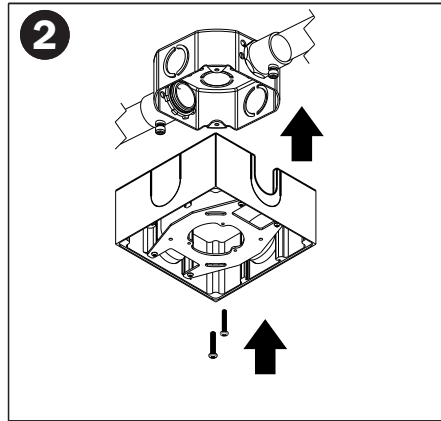
Install Guide

LED PIPE

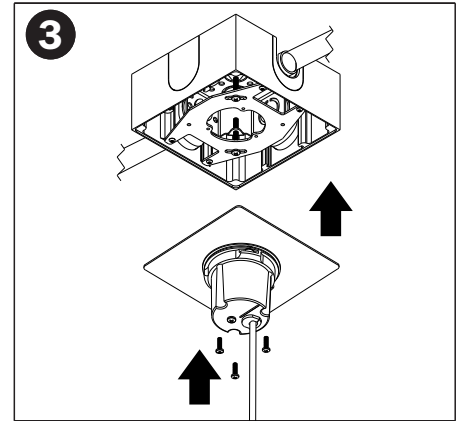
LED PIPE CYLINDER C3SS-CM CONDUIT SURFACE MOUNT INTEGRAL DRIVER (S&P DIMMING)



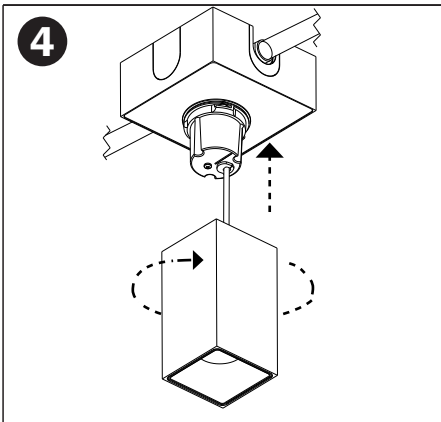
Assemble conduit 1/2 or 3/4 (by others) to 4" octagonal junction 1.5"-2.13" (by others).



Assemble conduit canopy to junction box through oblong slots with provided machine screws (8-32 x 1.5").



Make supply connections. Fasten Mounting plate assembly to conduit plate inside of conduit canopy with supplied screws.



Ensure secondary leads are connected (+)(-) with lever locks. Twist cylinder clockwise to lock to the mounting assembly. If cylinder is not aligned with canopy, unlock from mounting assembly, rotate cylinder 120deg and lock again.

Led Pipe Cylinder-C3SS-Installation • Subject to change without notice • REV 2025.01.23

Install Guide

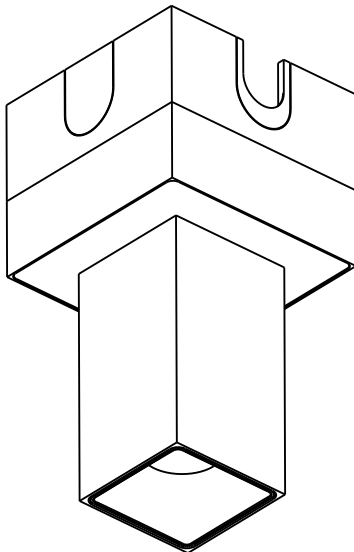
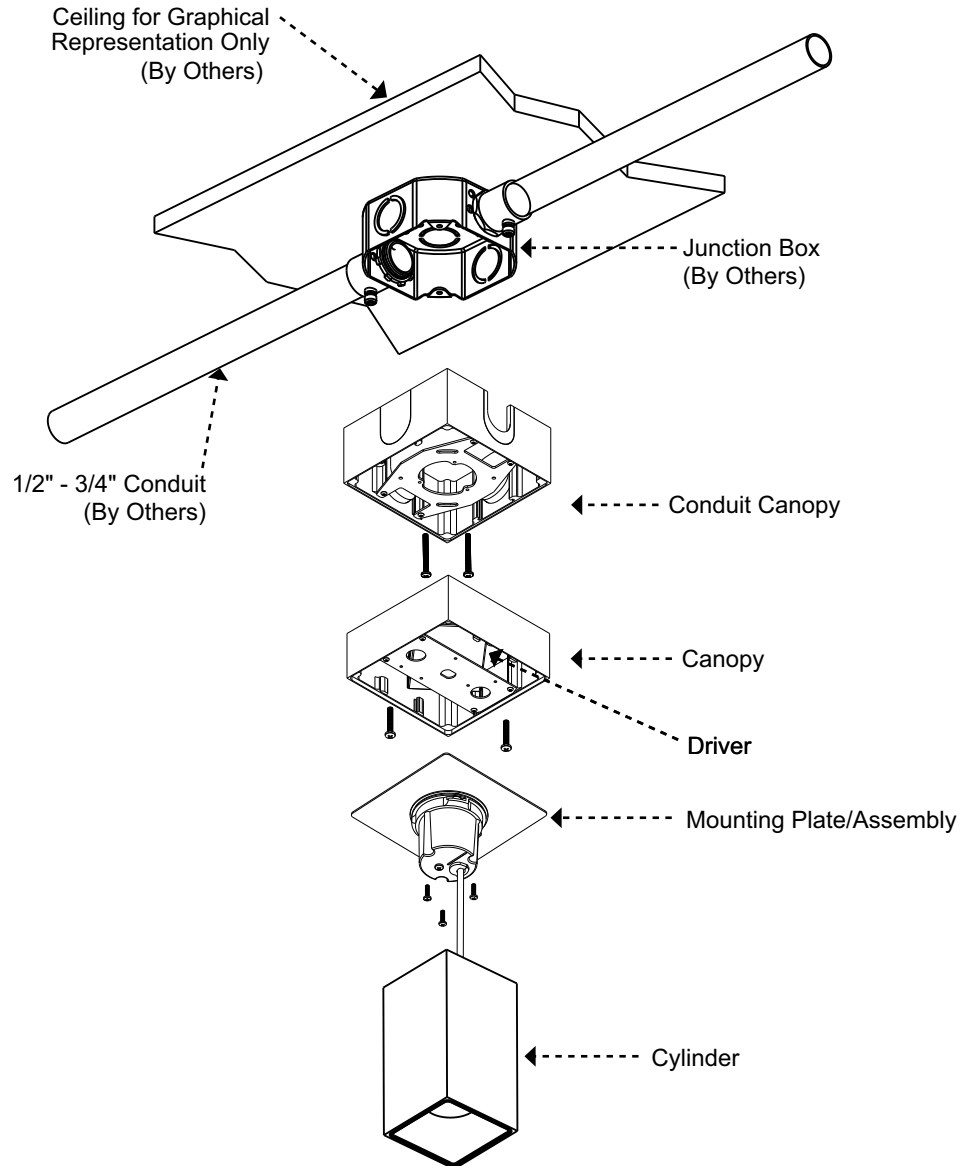
LED PIPE

LED PIPE CYLINDER C3SS-CM CONDUIT SURFACE MOUNT (D, LH, P1 DIMMING)

WARNING

This product must be installed in accordance with the applicable code by a person familiar with the construction and operation of the product and the hazards involved.

Risk of Fire or Electric Shock. Serious injury or death may occur. **TURN OFF POWER** prior to servicing or installing this product.

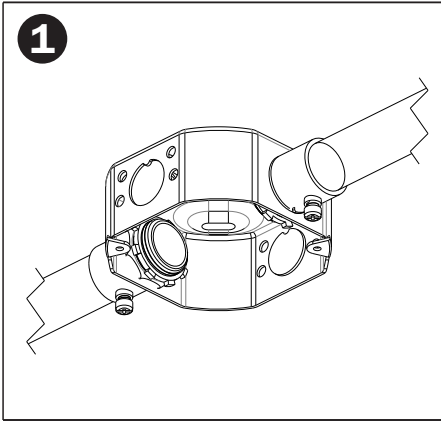


Led Pipe Cylinder-C3SS-Installation • Subject to change without notice • REV 2025.01.23

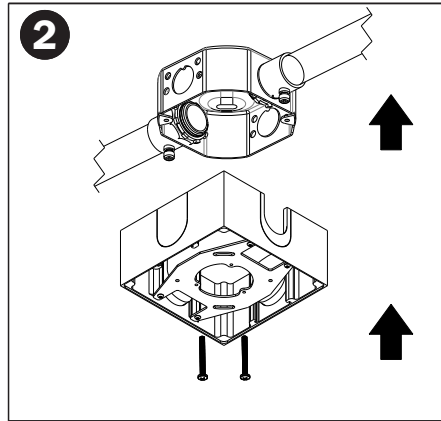
Install Guide

LED PIPE

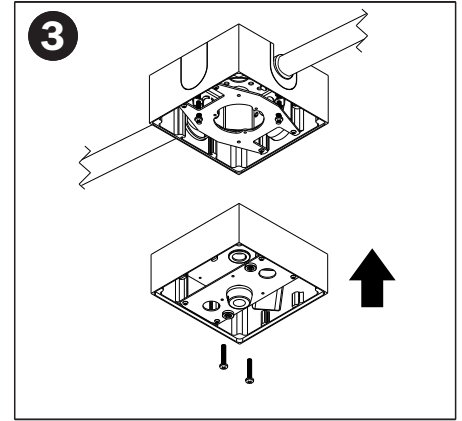
LED PIPE CYLINDER C3SS-CM CONDUIT SURFACE MOUNT (D, LH, P1 DIMMING)



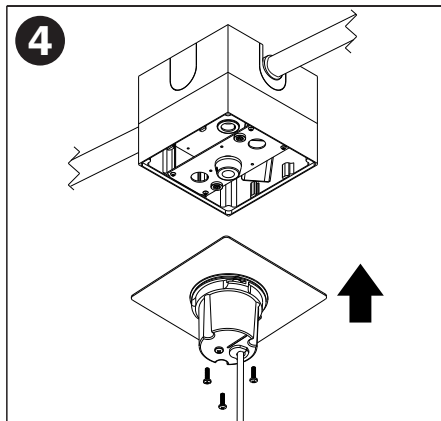
Assemble conduit 1/2 or 3/4 (by others) to 4" octagonal junction 1.5"-2.13" (by others).



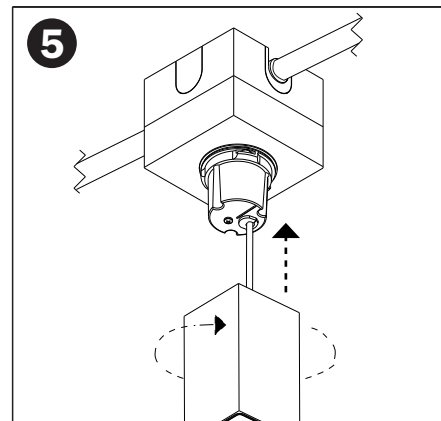
Assemble conduit canopy to junction box through oblong slots with machine screws.



Make supplied connections. Check with wiring diagrams. Place canopy onto conduit canopy and fasten screws through key holes on the canopy's top plate into conduit canopy plate.



Fasten Mounting plate assembly to canopy bottom plate with supplied screws.



Ensure secondary leads are connected (+)(-) with lever locks. Twist cylinder clockwise to lock to the mounting assembly. If cylinder is not aligned with canopy, unlock from mounting assembly, rotate cylinder 120deg and lock again.

Led Pipe Cylinder-C3SS-Installation • Subject to change without notice • REV 2025.01.23

Install Guide

LED PIPE

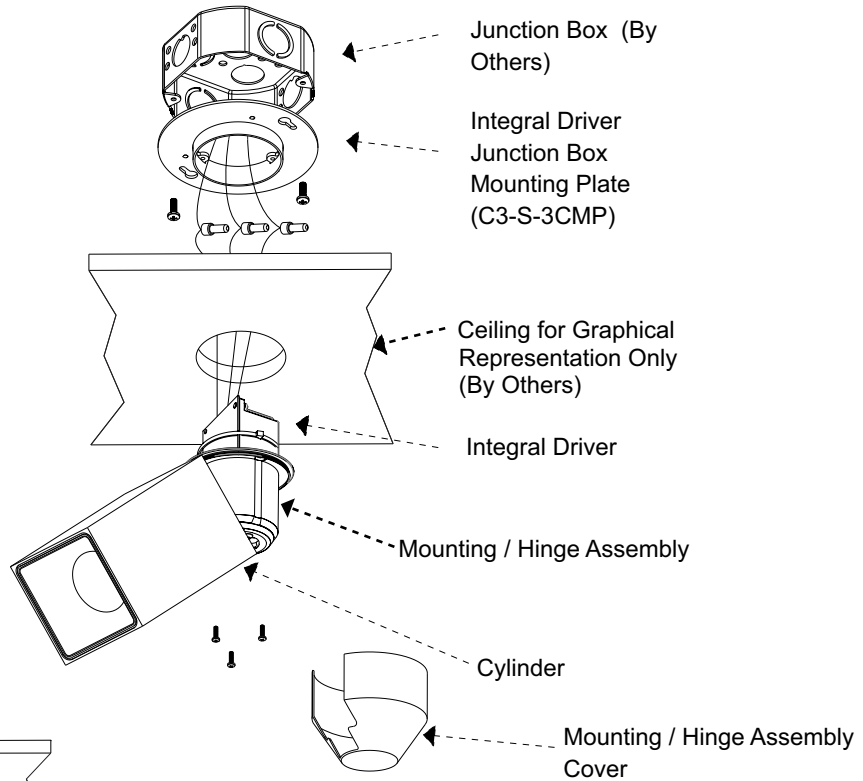
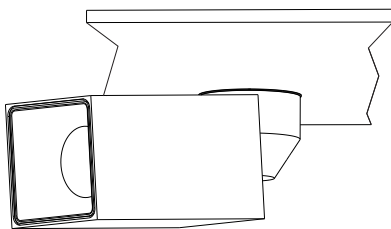
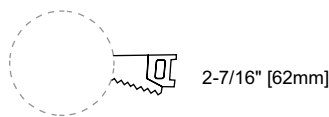
LED PIPE CYLINDER
C3SAS-3C
SURFACE MOUNT ADJ
INTEGRAL DRIVER (S&P DIMMING)

WARNING

This product must be installed in accordance with the applicable code by a person familiar with the construction and operation of the product and the hazards involved.

Risk of Fire or Electric Shock. Serious injury or death may occur. **TURN OFF POWER** prior to servicing or installing this product.

CEILING CUTOUT DIMENSIONS

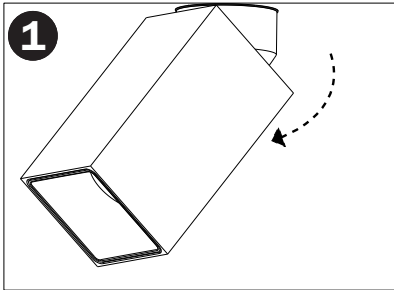


Led Pipe Cylinder-C3SS-Installation • Subject to change without notice • REV 2025.01.23

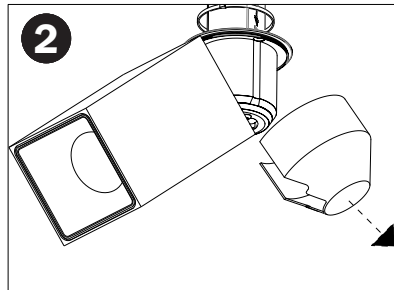
Install Guide

LED PIPE

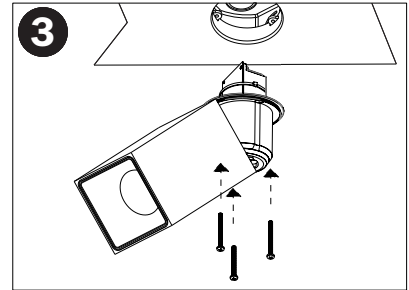
LED PIPE CYLINDER
C3SAS-3C
SURFACE MOUNT ADJ
INTEGRAL DRIVER (S&P DIMMING)



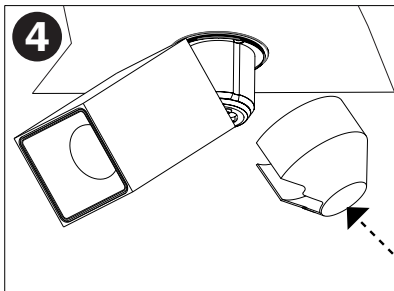
See C3SS-3C Junction box mounting (Step 1 & 2). Tilt cylinder to expose mounting/assembly cover.



Pull to remove mounting assembly cover.



Fasten mounting / hinge assembly to the integral driver junction box mounting plate with supplied fasteners.



Reattach and ensure mounting/hinge assembly cover is fully seated and secured in place.

Led Pipe Cylinder-C3SS-Installation • Subject to change without notice • REV 2025.01.23

Install Guide

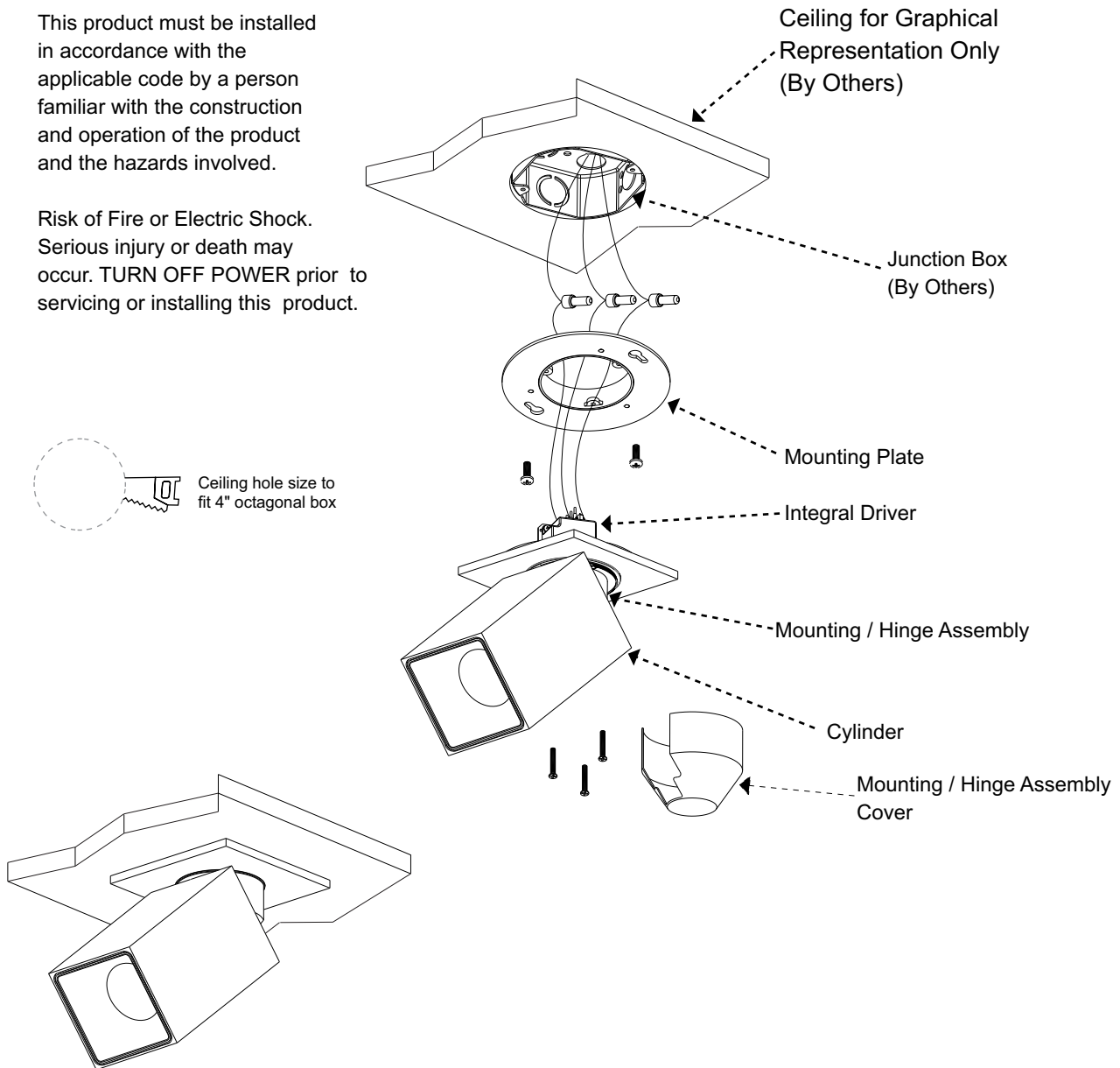
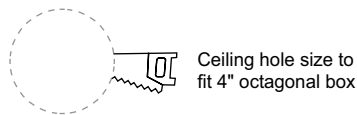
LED PIPE

LED PIPE CYLINDER
C3SAS-5C
SURFACE MOUNT ADJ
INTEGRAL DRIVER (S&P DIMMING)

WARNING

This product must be installed in accordance with the applicable code by a person familiar with the construction and operation of the product and the hazards involved.

Risk of Fire or Electric Shock. Serious injury or death may occur. **TURN OFF POWER** prior to servicing or installing this product.

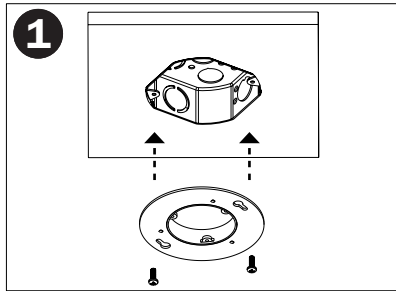


Led Pipe Cylinder-C3SS-Installation • Subject to change without notice • REV 2025.01.23

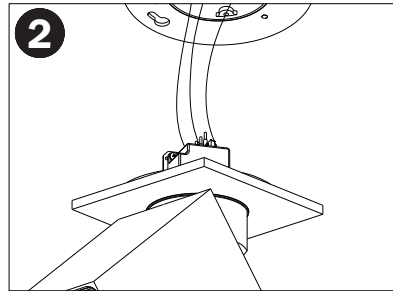
Install Guide

LED PIPE

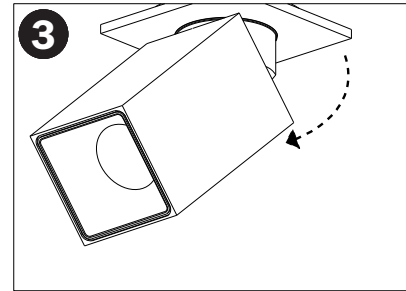
LED PIPE CYLINDER
C3SAS-5C
SURFACE MOUNT ADJ
INTEGRAL DRIVER (S&P DIMMING)



Fasten mounting plate to junction box (by others),



Connect driver leads to supply voltage. Ensure the correct voltage is selected. Refer to "Wiring Instructions" document.



Tilt cylinder to expose mounting/hinge assembly cover. See **C3SAS-3C (Steps 2-4)** for remaining steps.

Led Pipe Cylinder-C3SS-Installation • Subject to change without notice • REV 2025.01.23

Install Guide

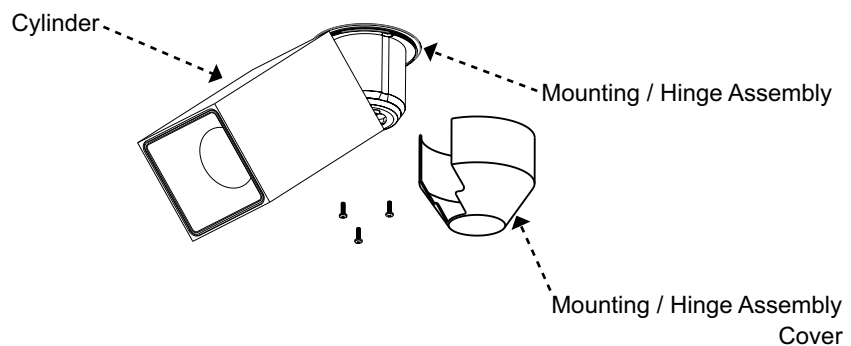
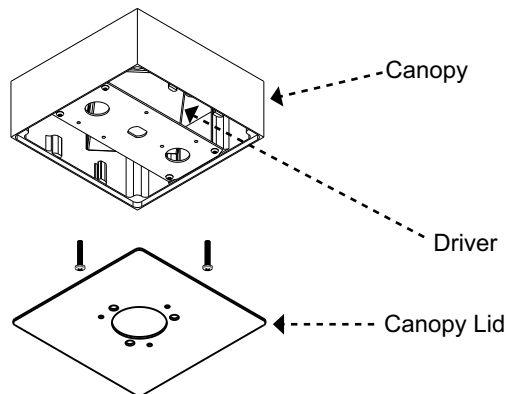
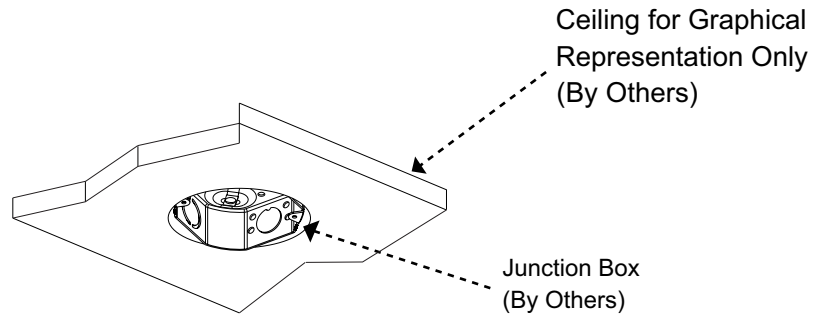
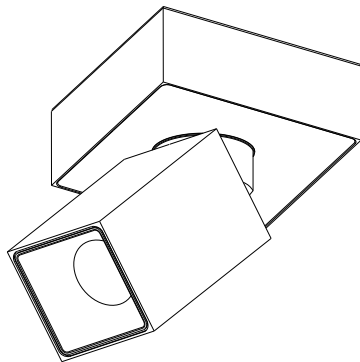
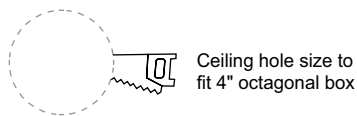
LED PIPE

LED PIPE CYLINDER
C3SAS-5C
SURFACE MOUNT ADJ
(D, LH, P1 DIMMING)

WARNING

This product must be installed in accordance with the applicable code by a person familiar with the construction and operation of the product and the hazards involved.

Risk of Fire or Electric Shock.
Serious injury or death may occur. **TURN OFF POWER** prior to servicing or installing this product.

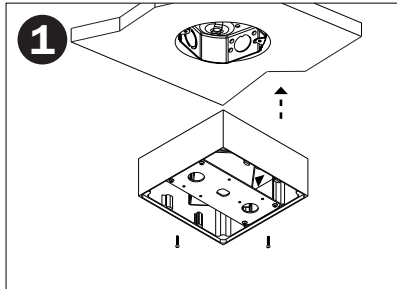


Led Pipe Cylinder-C3SS-Installation • Subject to change without notice • REV 2025.01.23

Install Guide

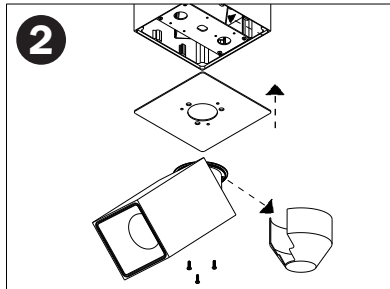
LED PIPE

LED PIPE CYLINDER
C3SAS-5C
SURFACE MOUNT ADJ
(D, LH, P1 DIMMING)

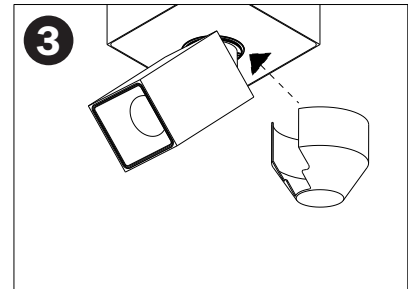


1 Make primary wire connections. Assemble canopy to junction box through oblong slots with machine screws.

For junction box with parallel screw mounting, remove driver and use undercut screws (supplied) in slots with chamfer. Re-attach driver to plate.



2 Place canopy lid inside of canopy. Align three larger size mounting holes with tapped holes on inside plate. Pull to remove mounting assembly cover. Fasten mounting/hinge assembly and cylinder with supplied fasteners.



3 Re-attach and ensure mounting/hinge assembly cover is fully seated and secured in place.

Led Pipe Cylinder-C3SS-Installation • Subject to change without notice • REV 2025.01.23

Install Guide

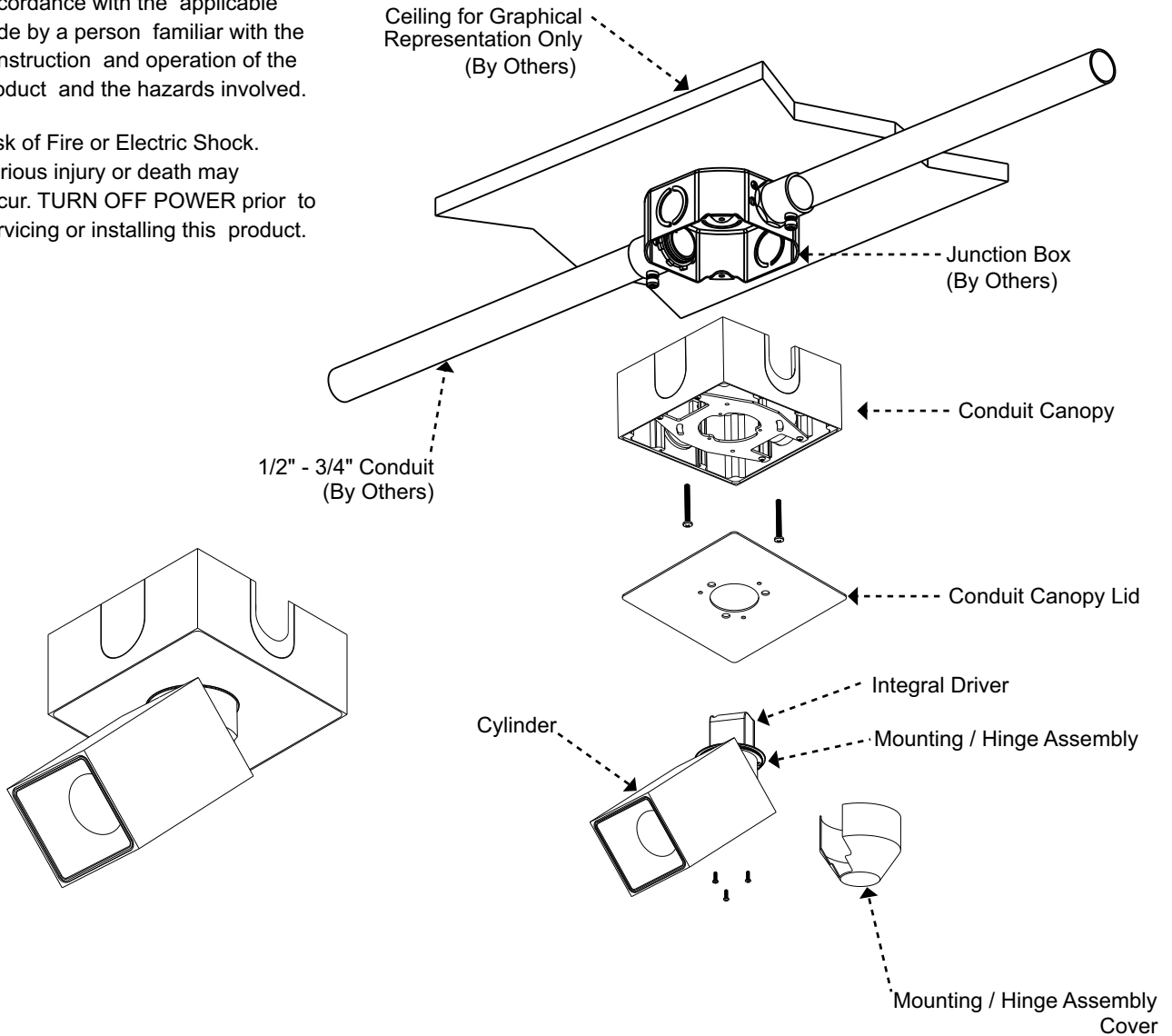
LED PIPE

LED PIPE CYLINDER
C3SAS-CM
CONDUIT SURFACE MOUNT ADJ
(P&S DIMMING)

WARNING

This product must be installed in accordance with the applicable code by a person familiar with the construction and operation of the product and the hazards involved.

Risk of Fire or Electric Shock. Serious injury or death may occur. **TURN OFF POWER** prior to servicing or installing this product.

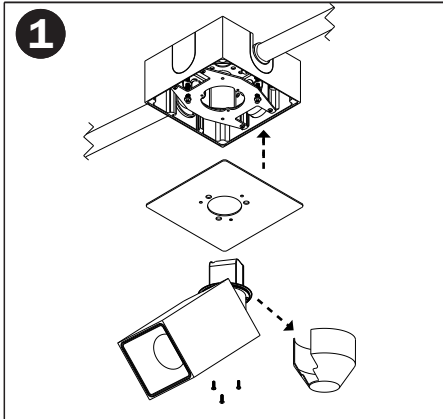


Led Pipe Cylinder-C3SS-Installation • Subject to change without notice • REV 2025.01.23

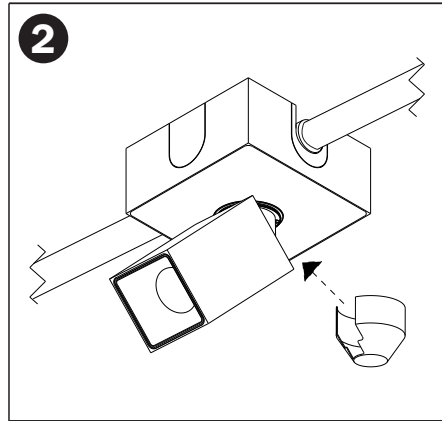
Install Guide

LED PIPE

LED PIPE CYLINDER
C3SAS-CM
CONDUIT SURFACE MOUNT ADJ
(P&S DIMMING)



See C3SS-CM for conduit canopy mounting instructions (Steps 1 & 2). Make supply connections. Place canopy lid inside of canopy. Align three larger size mounting holes with tapped holes of conduit plate. Pull to remove mounting assembly cover. Fasten mounting/hinge assembly and cylinder with supplied fasteners.



Re-attach and ensure mounting/hinge assembly cover is fully seated and secured in place.

Led Pipe Cylinder-C3SS-Installation • Subject to change without notice • REV 2025.01.23

Install Guide

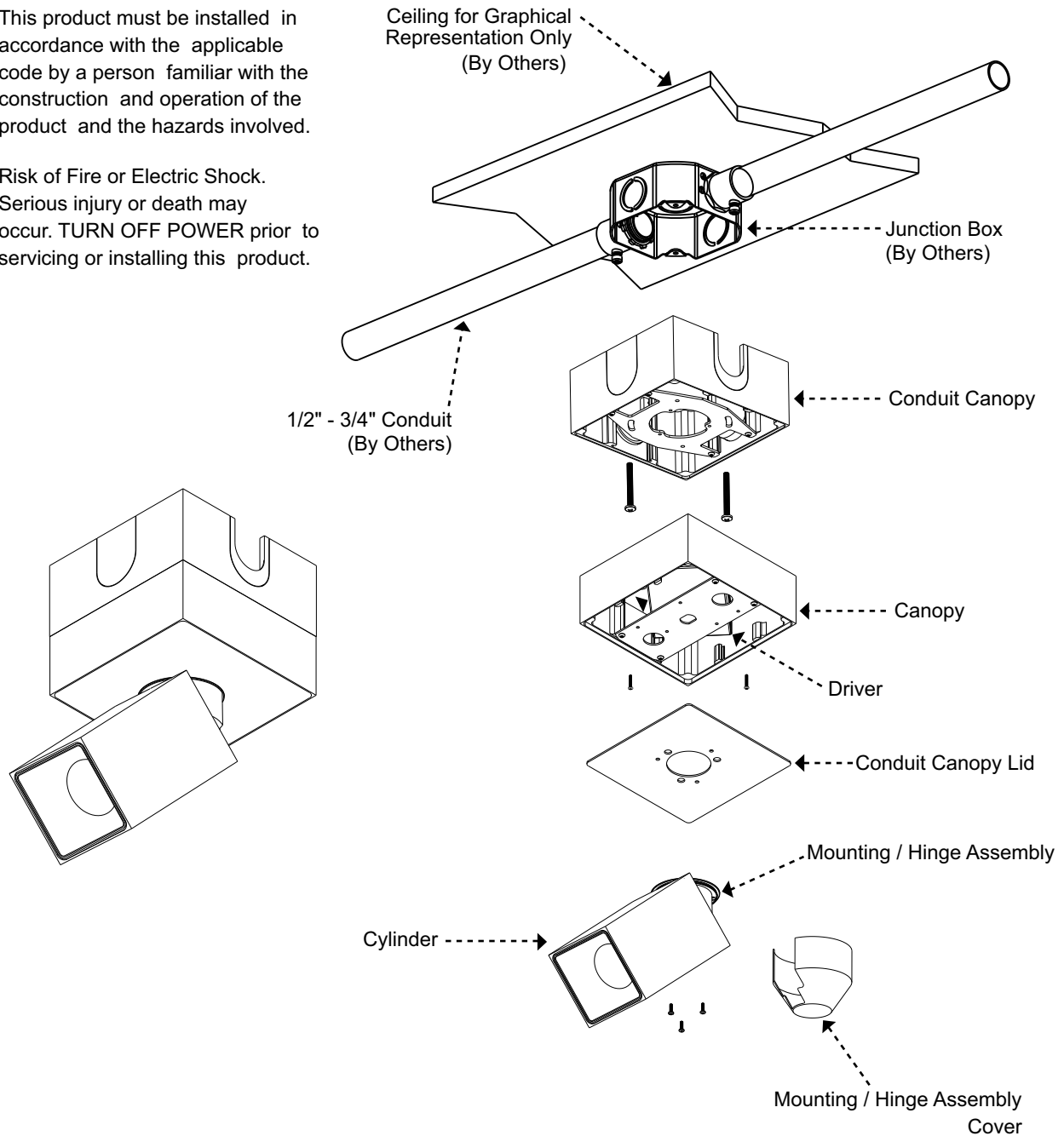
LED PIPE

LED PIPE CYLINDER
C3SAS-CM
CONDUIT SURFACE MOUNT ADJ
(D, LH, P1 DIMMING)

WARNING

This product must be installed in accordance with the applicable code by a person familiar with the construction and operation of the product and the hazards involved.

Risk of Fire or Electric Shock. Serious injury or death may occur. **TURN OFF POWER** prior to servicing or installing this product.

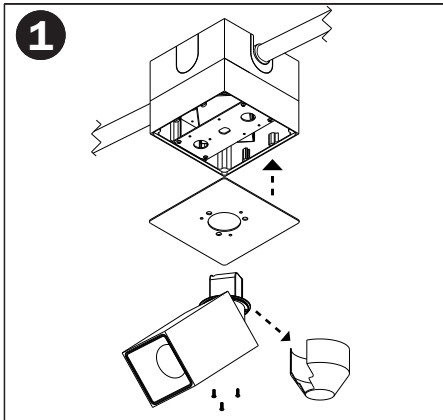


Led Pipe Cylinder-C3SS-Installation • Subject to change without notice • REV 2025.01.23

Install Guide

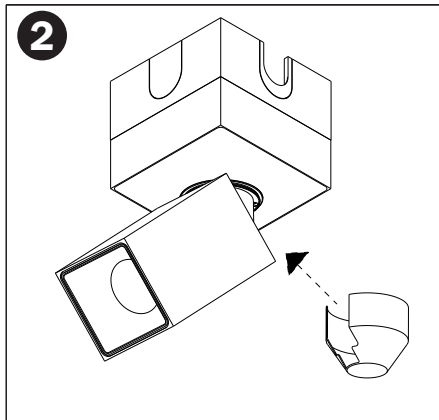
LED PIPE

LED PIPE CYLINDER
C3SAS-CM
CONDUIT SURFACE MOUNT ADJ
(D, LH, P1 DIMMING)



See C3SS-CM for conduit canopy instructions (Steps 1-3).

Place canopy lid inside of canopy. Align three larger size mounting holes with tapped holes of conduit retainer ring. Pull to remove mounting assembly cover. Fasten mounting/hinge assembly and cylinder with supplied fasteners.



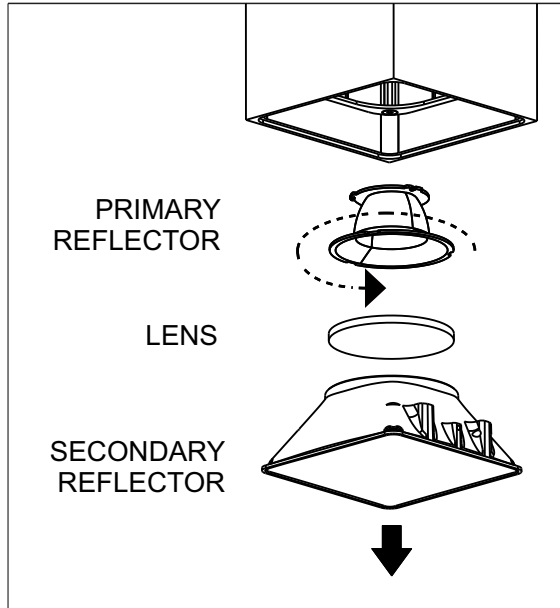
Re-attach and ensure mounting/hinge assembly cover is fully seated and secured in place.

Led Pipe Cylinder-C3SS-Installation • Subject to change without notice • REV 2025.01.23

Install Guide

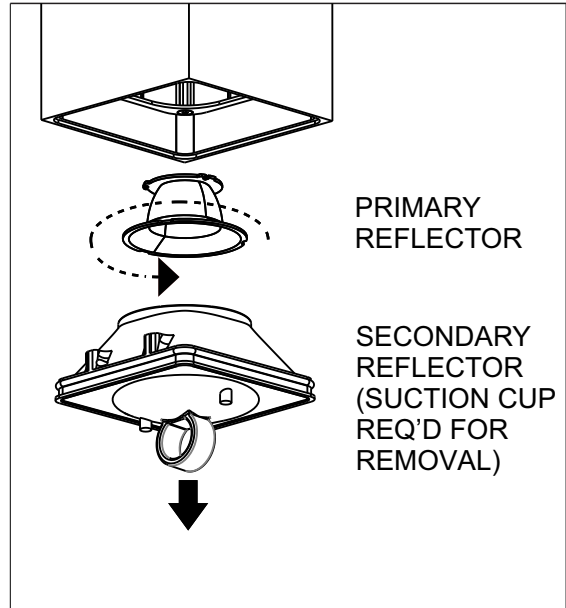
LED PIPE CYLINDER LENS SERVICE

REFLECTOR + LENS SERVICE (DAMP LOCATION)



To service or change the reflector lens, rotate the secondary reflector 45° counter clockwise to release. Then rotate the primary reflector 45° counter clock wise to release.

REFLECTOR SERVICE (WET LOCATION)



To service or change the reflector. Press suction cup onto glass and pull. Hold onto cylinder while pulling if possible. Contact factory for suction cup procurement. Rotate the primary reflector 45° counter clockwise to release.