

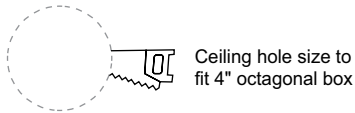
Install Guide

LED PIPE CYLINDER C3PS-5S PENDANT MOUNT (D, LH, P1, S, P DIMMING)

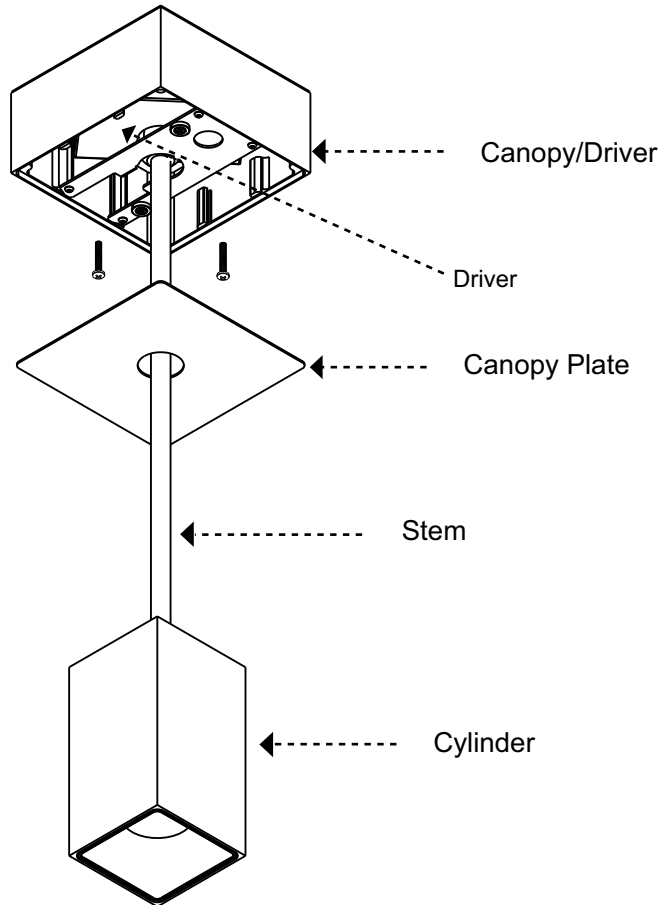
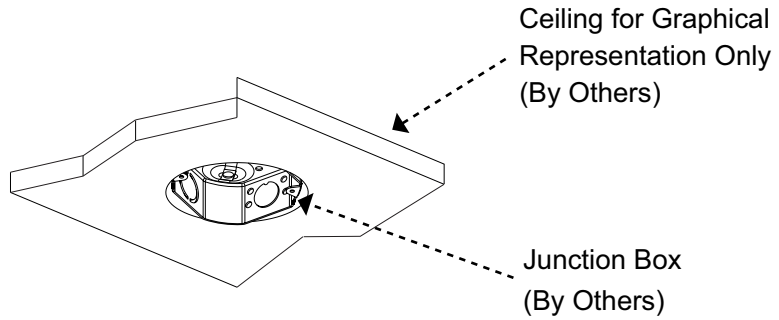
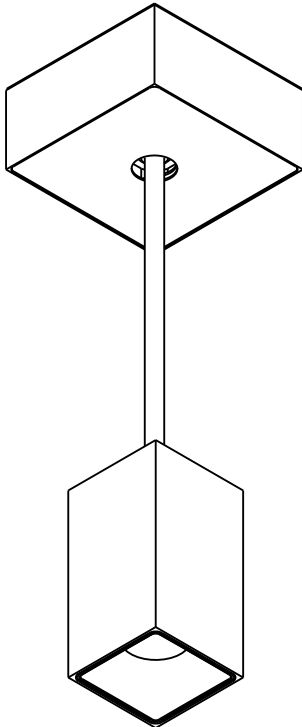
WARNING

This product must be installed in accordance with the applicable code by a person familiar with the construction and operation of the product and the hazards involved.

Risk of Fire or Electric Shock. Serious injury or death may occur. **TURN OFF POWER** prior to servicing or installing this product.



Ceiling hole size to fit 4" octagonal box

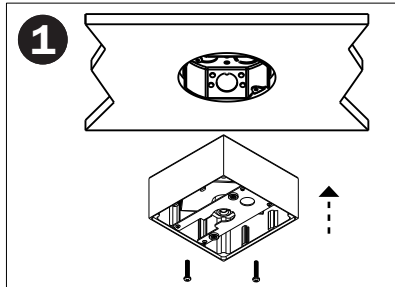


Led Pipe-C3PS-Installation • Subject to change without notice • REV 2025.01.23

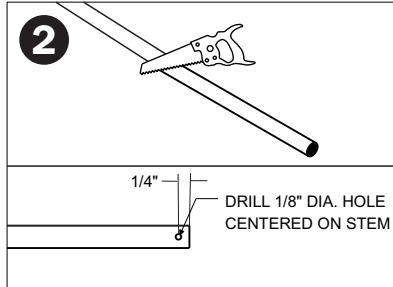
Install Guide

LED PIPE™

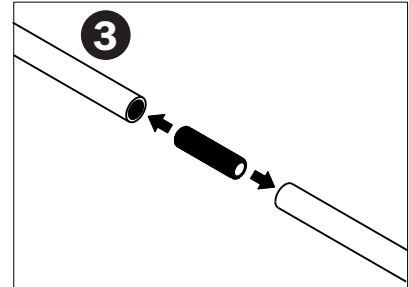
LED PIPE CYLINDER
C3PS-5S
PENDANT MOUNT
(D, LH, P1, S, P DIMMING)



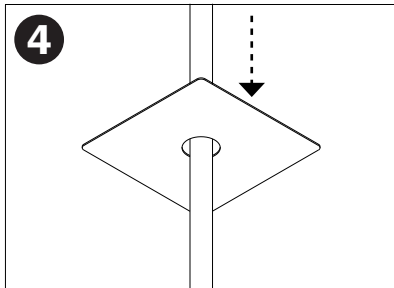
1 Pull plate off bottom of canopy. Make primary wire connections. Assemble canopy to junction box through oblong slots with machine screws.
For junction box with parallel screw mounting, remove driver and use undercut screws (supplied) in slots with chamfer. Re-attach driver to plate.



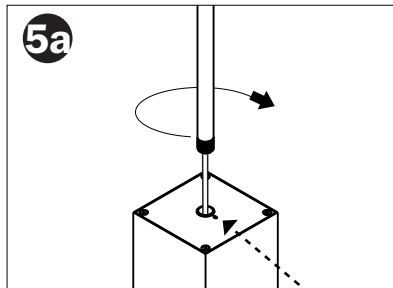
2 6"-48" stems. Cut to desired length. Drill hole on one end after cutting. 1/8" diameter 1/4" from cut end. 48"-144" long stems **cut set of stems with internal threads on both sides. Same drill process as above.**



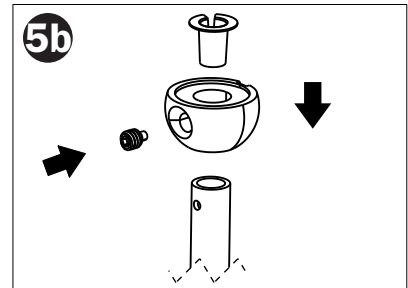
3 Thread Nipple x1 (48"-96") x2 (96"-144") into stems. Stem with threads on outside at one end. Cut and drilled stem on opposite end. Feed wiring through full stem length.



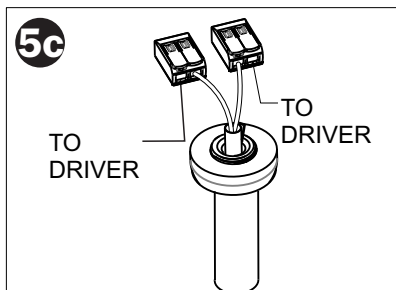
4 Feed cylinder stem through canopy plate.



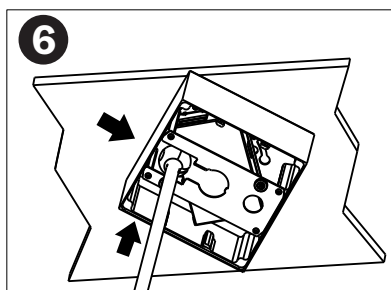
5a Assemble stem to cylinder. Tighten set screw to lock the stem in place.



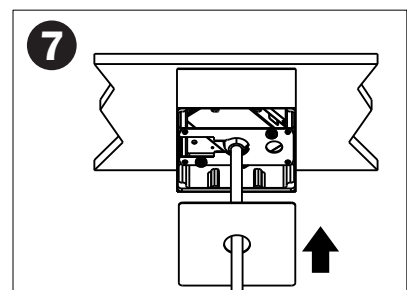
5b Pull wiring through swivel ball. Remove or loosen set screw. Place swivel ball on end of stem/cylinder. **Line up end of set screw with hole in stem and tighten.**



5c Make secondary wire connections. Red to Red and Black to Black or Blue (Depending on driver.).



6 Assemble stem/swivel ball bracket with cylinder attached to canopy. Tab on inside bracket lines up with swivel ball groove.



7 Place canopy plate back on canopy. Magnets hold it in place.

Led Pipe-C3PS-Installation • Subject to change without notice • REV 2025.01.23

Install Guide

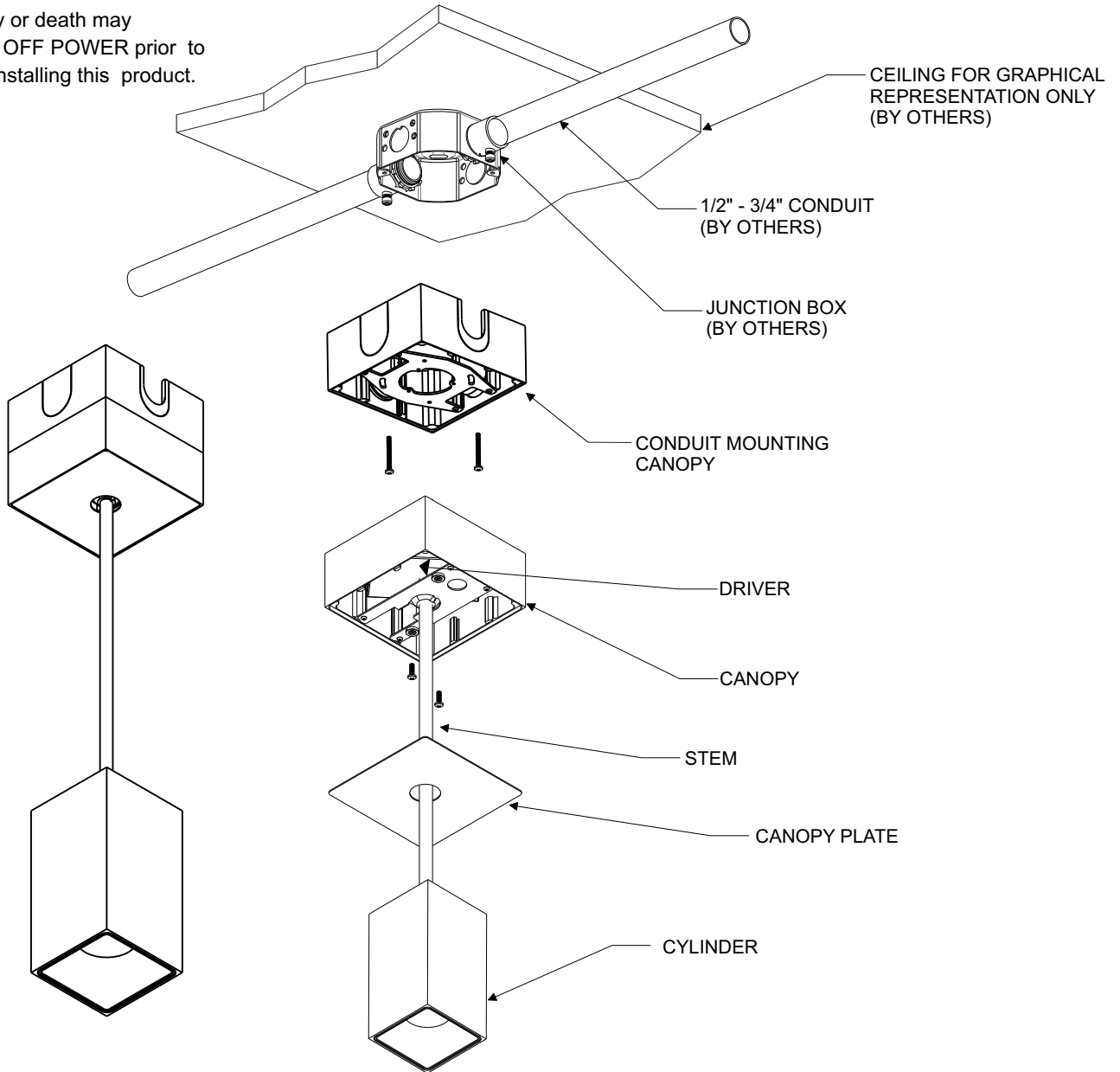
WARNING

This product must be installed in accordance with the applicable code by a person familiar with the construction and operation of the product and the hazards involved.

Risk of Fire or Electric Shock. Serious injury or death may occur. **TURN OFF POWER** prior to servicing or installing this product.

LED PIPE™

LED PIPE CYLINDER
C3PS-5S-CM
PENDANT CONDUIT MOUNT
(D, LH, P1, S, P DIMMING)

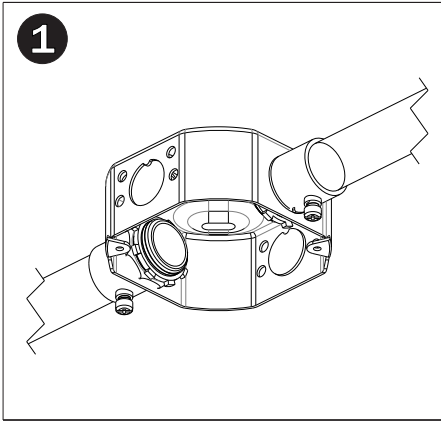


Led Pipe-C3PS-Installation • Subject to change without notice • REV 2025.01.23

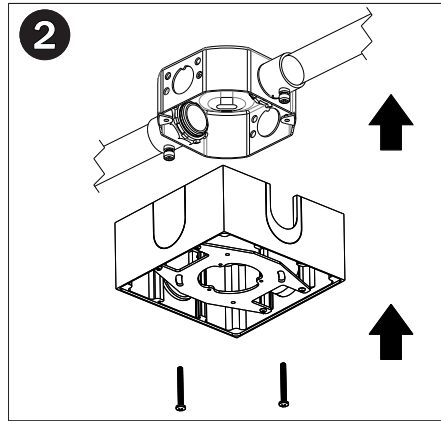
Install Guide

LED PIPE™

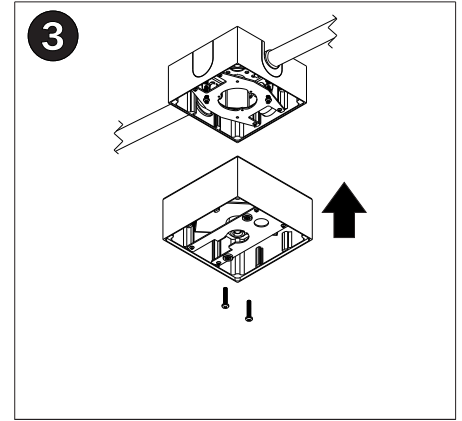
LED PIPE CYLINDER
C3PS-5S-CM
PENDANT CONDUIT MOUNT
(D, LH, P1, S, P DIMMING)



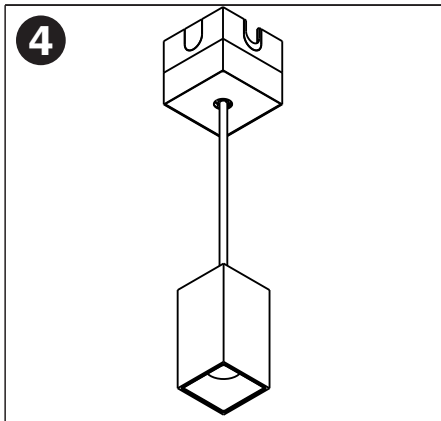
1 Assemble conduit 1/2 or 3/4 (by others) to 4" octagonal junction 1.5"-2.13" (by others).



2 Assemble conduit canopy to junction box through oblong slots with machine screws.



3 Pull plate off canopy. Make supplied connections. Check with wiring diagrams. Place canopy onto conduit canopy and thread machine screws through oblong slots into conduit canopy plate.



4 See C3PS-5S (steps 2-7) for remainder of instructions

Led Pipe-C3PS-Installation • Subject to change without notice • REV 2025.01.23

Install Guide

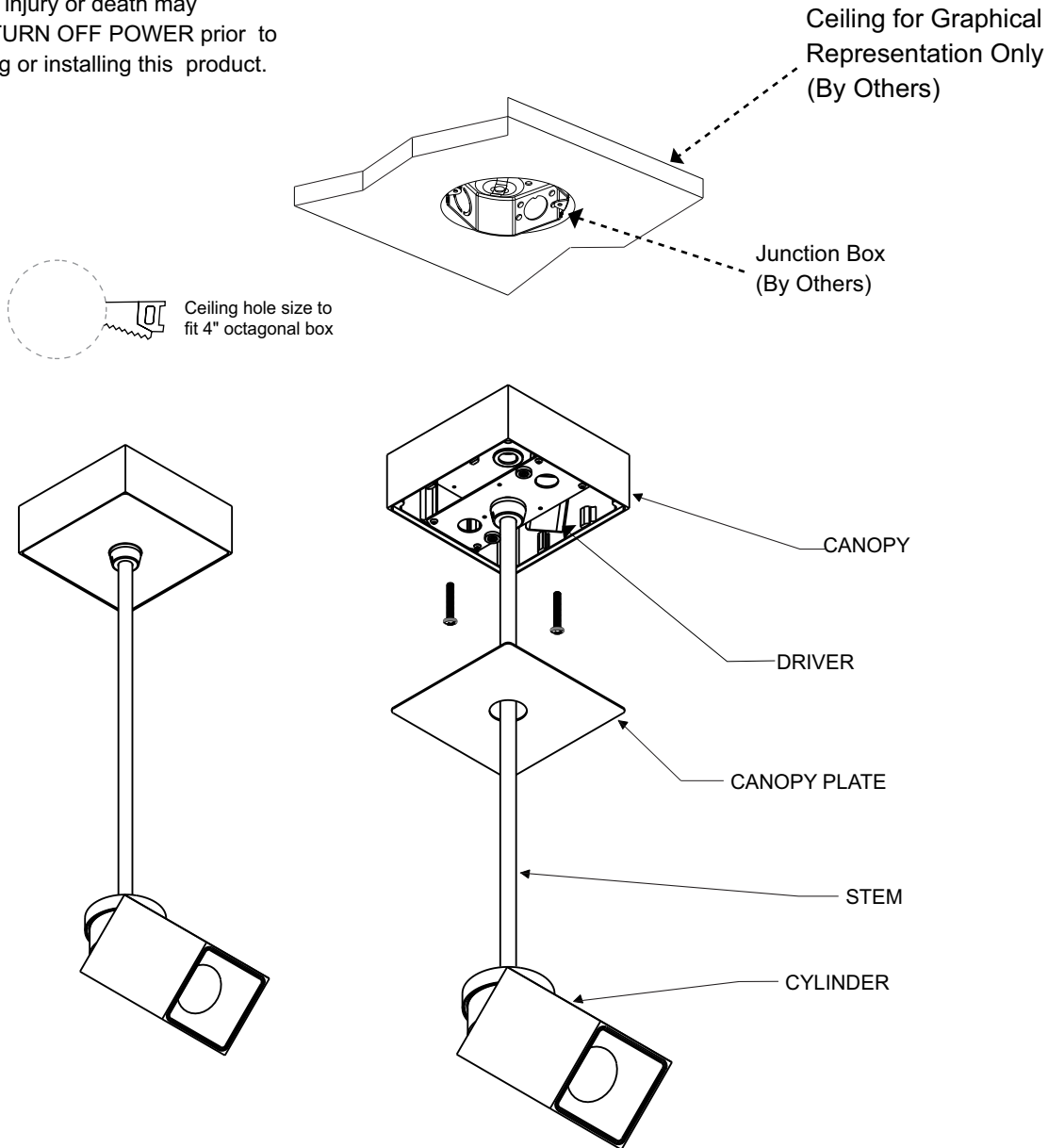
WARNING

This product must be installed in accordance with the applicable code by a person familiar with the construction and operation of the product and the hazards involved.

Risk of Fire or Electric Shock. Serious injury or death may occur. **TURN OFF POWER** prior to servicing or installing this product.

LED PIPE™

LED PIPE CYLINDER
C3PAS-5S
PENDANT ADJ MOUNT
(D, LH, P1, S, P DIMMING)

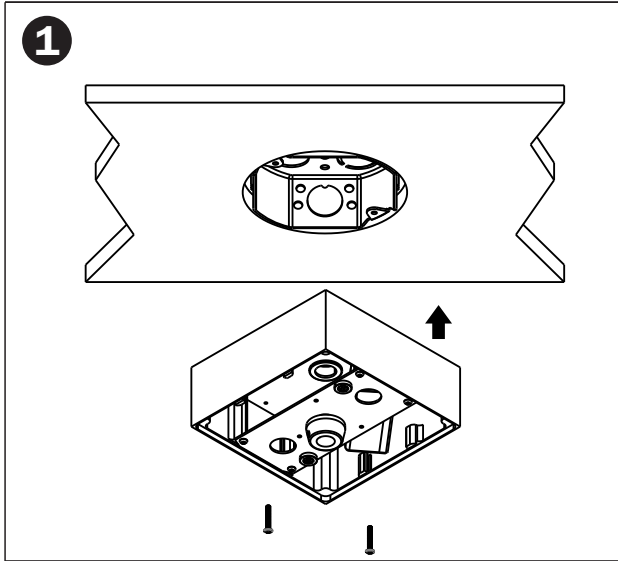


Led Pipe-C3PS-Installation • Subject to change without notice • REV 2025.01.23

Install Guide

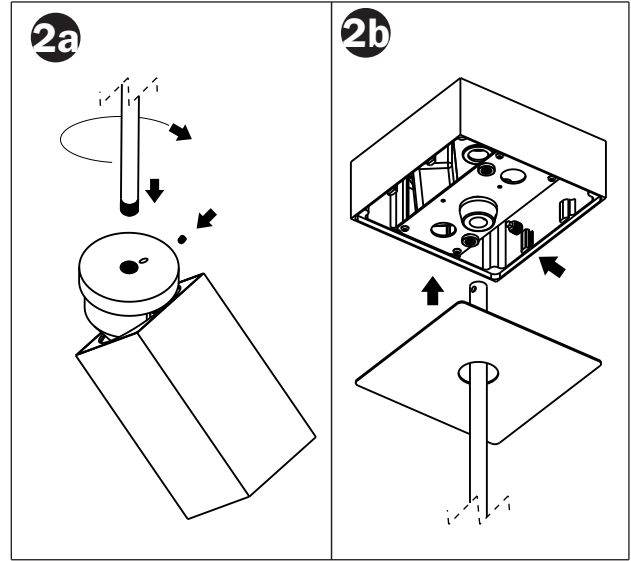
LED PIPE CYLINDER C3PAS-5S PENDANT ADJ MOUNT (D, LH, P1, S, P DIMMING)

LED PIPE™

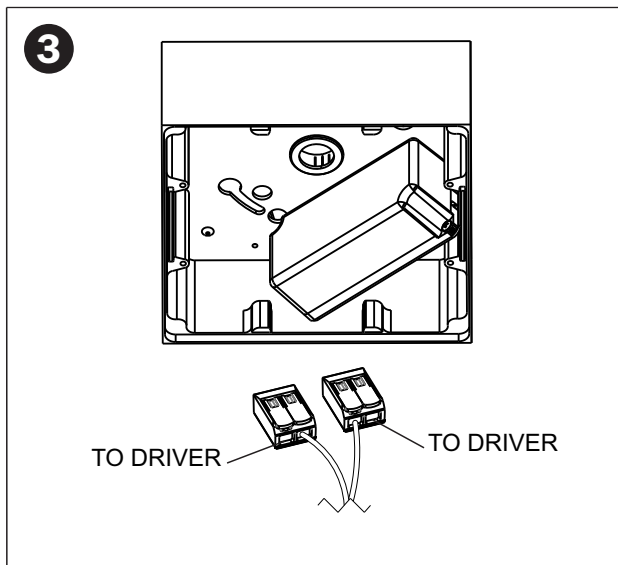


1 Pull plate off bottom of canopy. Make primary wire connections. Assemble canopy to junction box through oblong slots with machine screws.

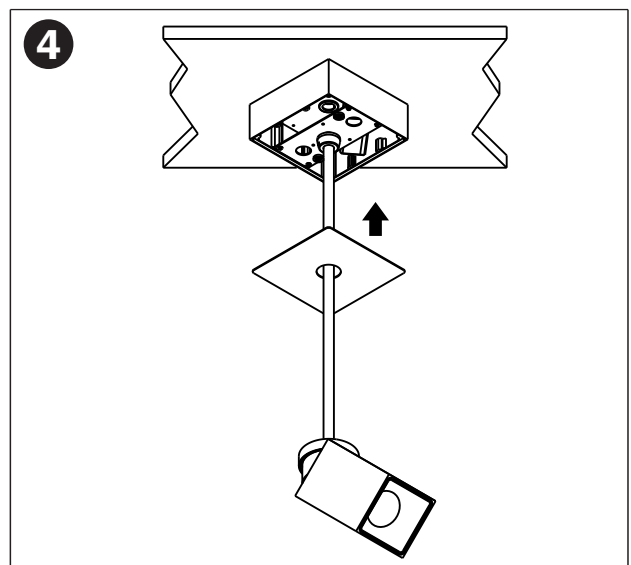
For junction box with parallel screw mounting, remove driver and use undercut screws (supplied) in slots with chamfer. Re-attach driver to plate.



2a **2b** See C3PS-5S for stem cutting instructions (steps 2-3). Assemble stem to cylinder adapter. Lock stem with set screw. Assemble stem to canopy adapter. Line up set screw with hole in stem. Lock with set screw.



3 Make secondary wire connections. Red to Red and Black to Black or Blue (Depending on driver.). Diagram shown without plate and stem for clarity.



4 Place canopy plate back on canopy. Magnets hold it in place.

Led Pipe-C3PS-Installation • Subject to change without notice • REV 2025.01.23

Install Guide

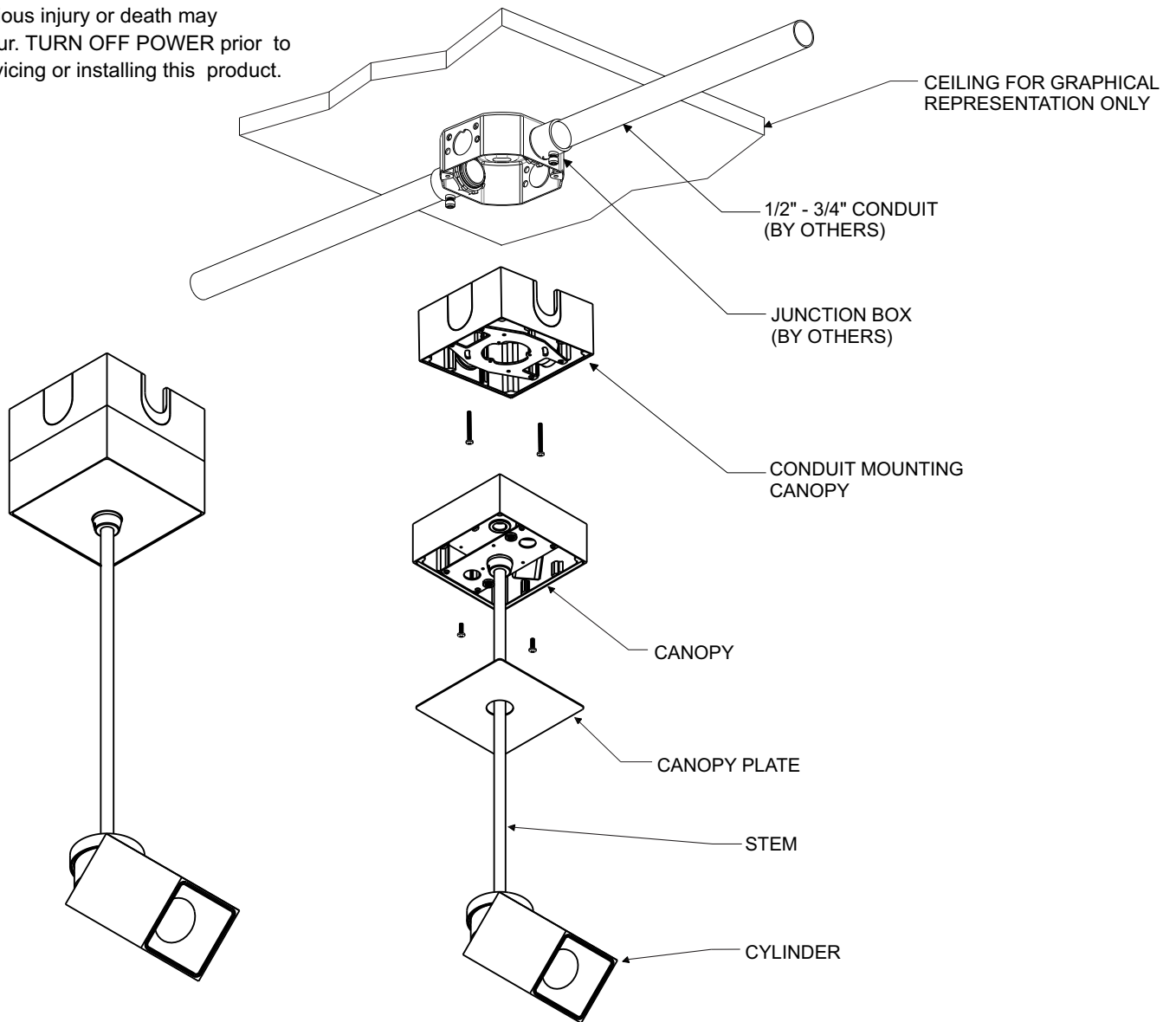
LED PIPE CYLINDER
C3PAS-5S-CM
PENDANT ADJ MOUNT
(D, LH, P1, S, P DIMMING)

WARNING

This product must be installed in accordance with the applicable code by a person familiar with the construction and operation of the product and the hazards involved.

Risk of Fire or Electric Shock.
Serious injury or death may occur. **TURN OFF POWER** prior to servicing or installing this product.

LED PIPE™

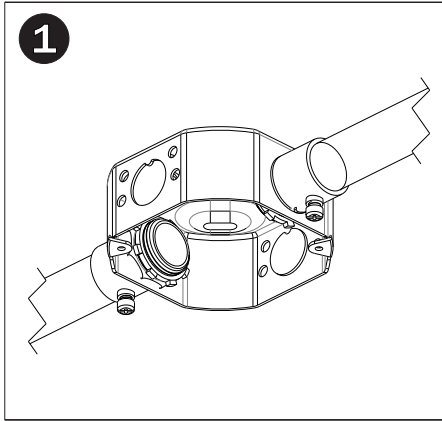


Led Pipe-C3PS-Installation • Subject to change without notice • REV 2025.01.23

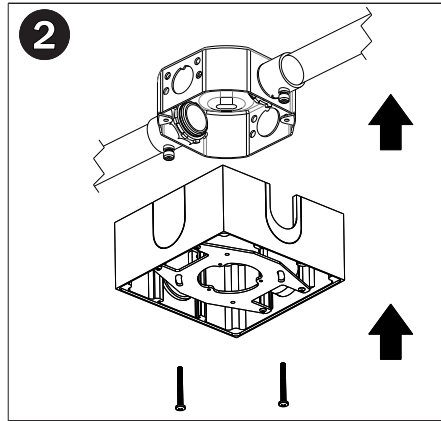
Install Guide

LED PIPE™

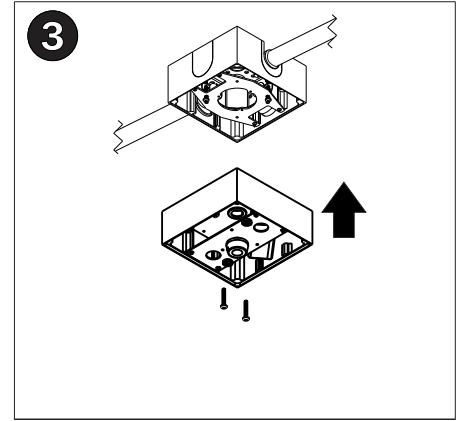
LED PIPE CYLINDER
C3PAS-5S-CM
PENDANT ADJ MOUNT
(D, LH, P1, S, P DIMMING)



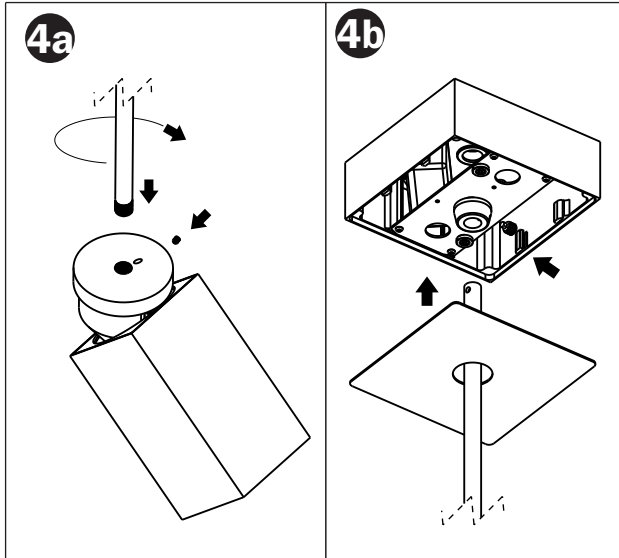
1 Assemble conduit 1/2 or 3/4 (by others) to 4" octagonal junction 1.5"-2.13" (by others).



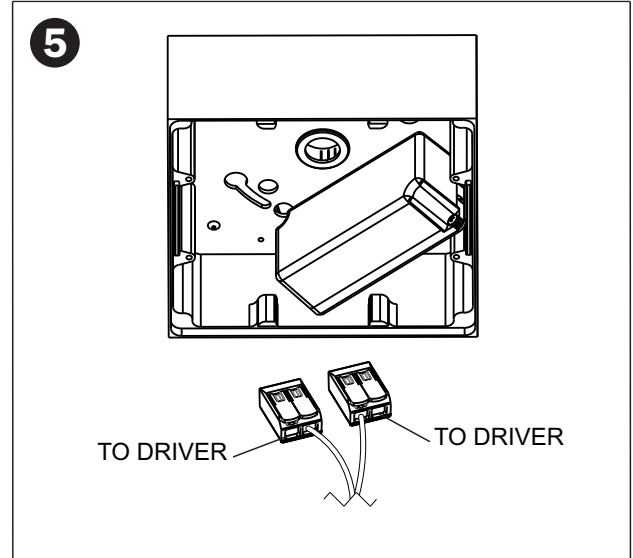
2 Assemble conduit canopy to junction box through oblong slots with machine screws.



3 Pull plate off canopy. Make supplied connections. Check with wiring diagrams. Place canopy onto conduit canopy and thread machine screws through oblong slots into conduit canopy plate.



4a **See C3PS-5S for stem cutting instructions (steps 2-3).** Assemble stem to cylinder adapter. Lock stem with set screw. Assemble stem to canopy adapter. Line up set screw with hole in stem. Lock with set screw.



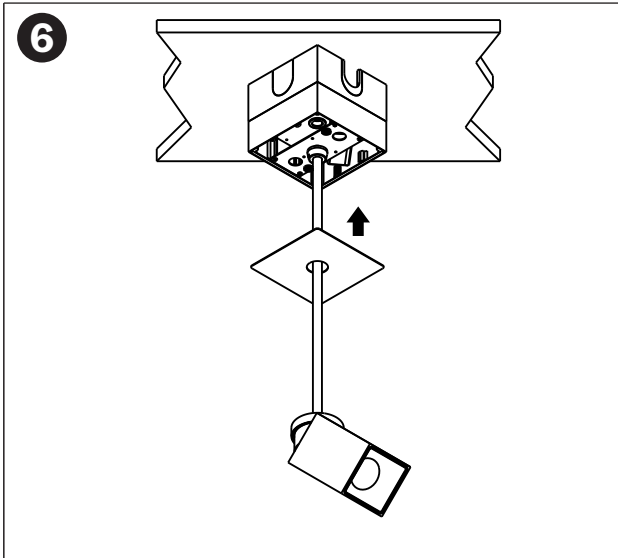
5 Make secondary wire connections. Red to Red and Black to Black or Blue (Depending on driver.). Diagram shown without plate and stem for clarity.

Led Pipe-C3PS-Installation • Subject to change without notice • REV 2025.01.23

Install Guide

LED PIPE™

LED PIPE CYLINDER
C3PAS-5S-CM
PENDANT ADJ MOUNT
(D, LH, P1, S, P DIMMING)

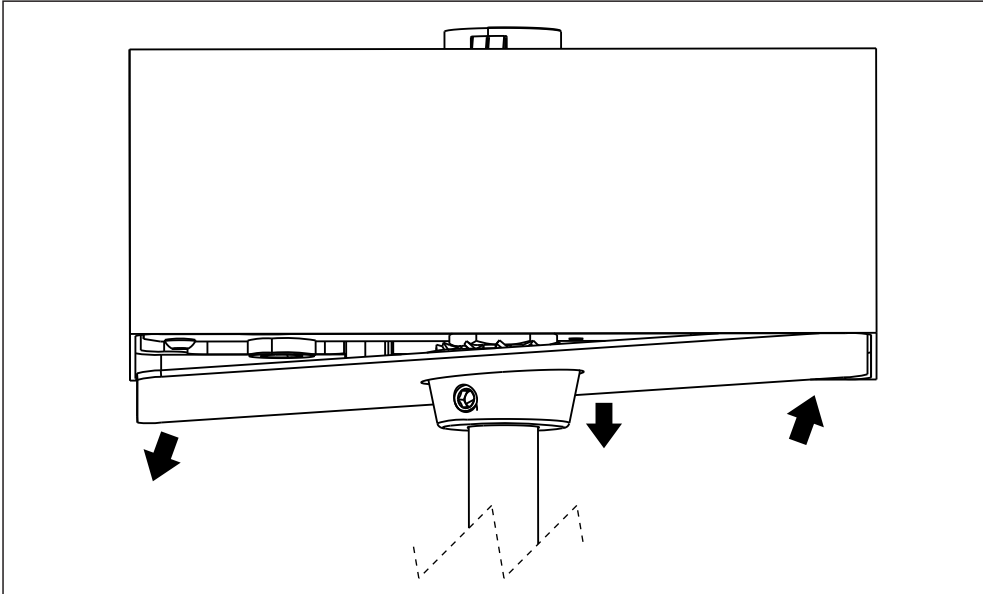


Place canopy lid back on canopy. Magnets hold it in place.

Led Pipe-C3PS-Installation • Subject to change without notice • REV 2025.01.23

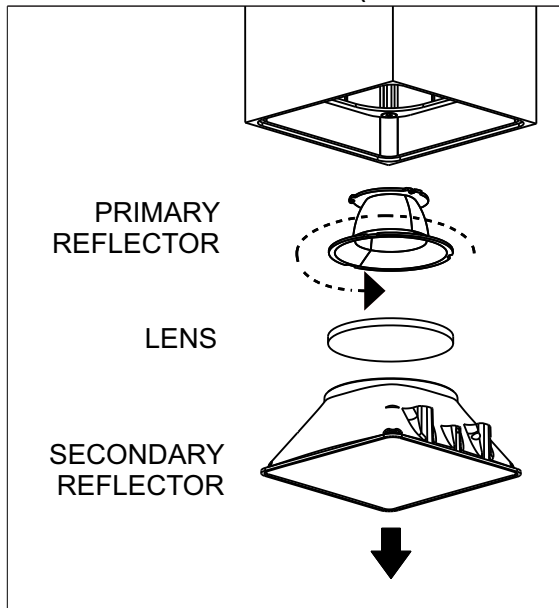
LED PIPE™

DRIVER SERVICE



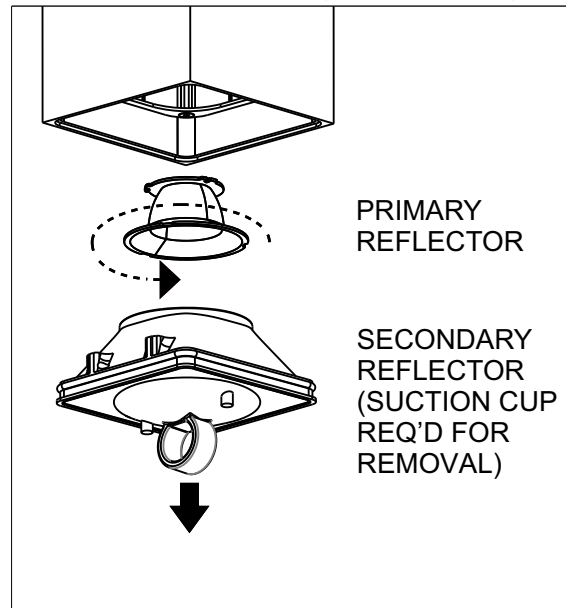
To service driver: Press one side of canopy plate and pull down on opposite side to remove plate. Once service is complete, place canopy plate back on canopy. Magnets hold it in place.

REFLECTOR + LENS SERVICE (DAMP LOCATION)



To service or change the reflector lens, rotate the secondary reflector 45° counter clockwise to release. Then rotate the primary reflector 45° counter clock wise to release.

REFLECTOR SERVICE (WET LOCATION)



To service or change the reflector. Press suction cup onto glass and pull. Hold onto cylinder while pulling if possible. Contact factory for suction cup procurement. Rotate the primary reflector 45° counter clockwise to release.