

LED PIPE™

5" Surface | Standard LED

Our LED Pipe™ family of cylinders provide architects and lighting designers with almost limitless design possibilities. Whether you need to light a space with inaccessible ceilings, disappear among the pipes and ducts of an open-ceiling design, focus attention on a specific architectural detail or make a dramatic statement, you can solve almost any lighting problem with a LED Pipe™.



Downlight



LED PIPE™

5" Surface | Standard LED

RATINGS



Warm Dimming



Damp Location



Wet Location



California Title 24 JA8

CERTIFICATIONS



Intertek



5yr. Warranty

FEATURES

- Ø 5.38" [137mm] Aperture
- Single media ready
- Clear media lens (damp location)
- Clear flush mounted lens (wet location)
- Extruded aluminum cylinder body
- Machined aluminum components
- Powder coated finishes
- Mounts to 4" octagonal junction box (by others)
- Conduit mount option available

FINISHES



Anthracite Metallic



Chocolate Metallic



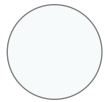
Glimmer Gold



Ink Black Metallic



Moroccan Metallic



Nano White



Sienna Metallic



Slate Grey Metallic

BEAM SPREADS



12°



24°



38°



60°

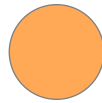


75°



Wall Wash

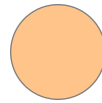
COLOR TEMPERATURES



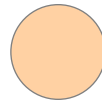
2700K



3000K



3500K



4000K



Warm Dim

PERFORMANCE SUMMARY

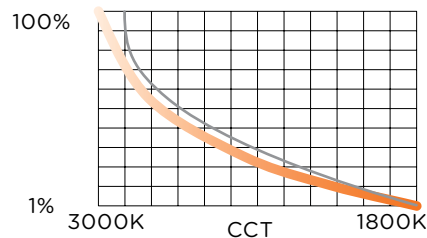
| | | |
|-----------------------|--------|------|
| Color Accuracy (SDCM) | <3 | |
| L70 Estimate (h) | 50,000 | |
| Color Rendering (CRI) | 80 | 90 |
| Lumen Series | 8018 | 9014 |
| Source Lumens | 1800 | 1400 |
| Delivered Lumens | 1450 | 1250 |
| LED Wattage | 12 | 12 |
| Lumen Series | 8027 | 9023 |
| Source Lumens | 2700 | 2300 |
| Delivered Lumens | 2050 | 1775 |
| LED Wattage | 17 | 17 |
| Lumen Series | 8035 | 9030 |
| Source Lumens | 3500 | 3000 |
| Delivered Lumens | 2725 | 2350 |
| LED Wattage | 25 | 25 |
| Lumen Series | 8043 | 9037 |
| Source Lumens | 4300 | 3700 |
| Delivered Lumens | 3475 | 3000 |
| LED Wattage | 32 | 32 |

PERFORMANCE SUMMARY—WARM DIMMING

| | |
|-----------------------|------|
| Color Rendering (CRI) | 95 |
| Lumen Series | 9518 |
| Source Lumens | 1800 |
| LED Wattage | 22 |

WARM DIMMING METRICS

— Warm Dimming — MR16 Halogen



- Delivered lumens are based on 3000K color temperature, 60° beam angle and clear lens.
- Refer to IES files for individual product information.
- Consult factory for additional lower lumen options.

5" Surface | Standard LED | Integral Driver | Order Form

Order Code Example: C5S-R-W-6-21-21-B12-27-8027-P-120-CM-FR

PRODUCT NOTES:

1. [Blank] clear media lens mounted to regressed trim aperture.
2. W clear glass lens is flush mounted to the trim aperture and is wet location listed when selected.
3. BWW wall wash optic is aimable after installation. Not available in wet location.
4. Consult factory for additional lower lumen options.
5. D and P1 dimming are NOT available in 8043 & 9037 CRI, Lumens.
6. LH dimming is only available in 8018, 9014, 9518, 8027 & 9023 CRI, Lumens.
7. S dimming is only available in 120V.
8. 347V voltage is only available in P dimming.
9. CM mounts over 4" octagonal junction box (by others). Comes with 2 conduit feed covers and 3 blank covers. Consult factory for additional conduit accessories.
10. Not available with wet location.
11. Optional media replaces clear media when selected. Not available with BWW wall wash.

- Wet Location.
- 3000K-1800K Warm Dimming.
- Title 24 JA8 qualified, consult factory for complete listing.

SELECT A CYLINDER

[1] CYLINDER

C5S 5" Surface ●

[2] CYLINDER SHAPE

R Round

[3] GLASS

[Blank] Clear Lens ¹

W Clear Lens ● ²

[4] LAYOUT

6 6"

[5] FINISH

- 21** Nano White
- 23** Anthracite Metallic
- 24** Ink Black Metallic
- 25** Slate Grey Metallic
- 28** Glimmer Gold
- 31** Sienna Metallic
- 32** Moroccan Metallic
- 34** Chocolate Metallic
- CC** Custom Color

[6] REFLECTOR FINISH

- 21** Nano White
- 23** Anthracite Metallic
- 24** Ink Black Metallic
- 25** Slate Grey Metallic
- 28** Glimmer Gold
- 31** Sienna Metallic
- 32** Moroccan Metallic
- 34** Chocolate Metallic
- CC** Custom Color

[7] MODULE & BEAM SPREAD

- B12** 12° Beam
- B24** 24° Beam
- B38** 38° Beam
- B60** 60° Beam
- B75** 75° Beam
- BWW** Wall Wash ³

[8] COLOR TEMPERATURE

- 27** 2700K
- 30** 3000K
- 35** 3500K
- 40** 4000K
- 3018** 3000-1800K ●

[9] LUMENS SERIES ⁴

- 8018** 80 CRI, 1800 Lumens ●
- 9014** 90 CRI, 1400 Lumens ●
- 9518** 95 CRI, 1800 Lumens ● ●
- 8027** 80 CRI, 2700 Lumens
- 9023** 90 CRI, 2300 Lumens ●
- 8035** 80 CRI, 3500 Lumens
- 9030** 90 CRI, 3000 Lumens ●
- 8043** 80 CRI, 4300 Lumens
- 9037** 90 CRI, 3700 Lumens ●

[10] DIMMING

- D** Dali-2 Dimming (1%) ⁵
- LH** Lutron Hi-lume EcoSystem Soft-on Fade-to-Black (1%) ⁶
- P** 0-10V Dimming (1%)
- P1** eldoLED 0-10V Dimming (1%) ⁵
- S** Phase Dimming (1%) ⁷

[11] VOLTAGE

- 120** 120V
- 277** 277V
- 347** 347V ⁸

[12] MOUNTING

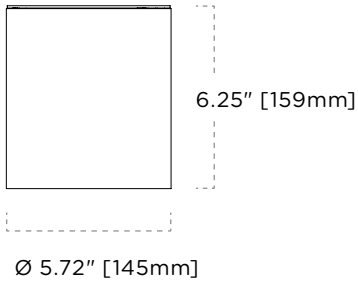
- [Blank]** Surface mount to recessed 4" octagonal junction box
- CM** Surface conduit mount to surface mount 4" octagonal junction box ^{9,10}

[13] OPTIONAL MEDIA (1 MAX.) ¹¹

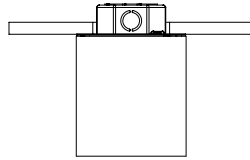
- [Blank]** Clear
- FR** Frosted
- HC** Honeycomb
- SL** Softening
- SPDL** Spread

5" CEILING CANOPY

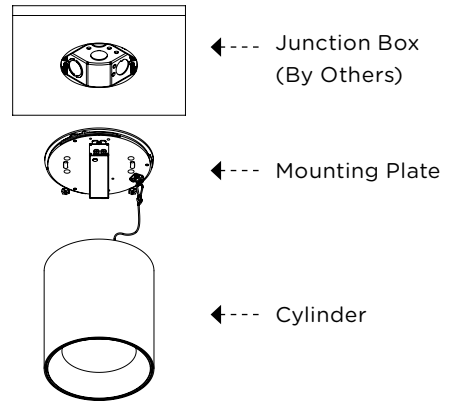
SURFACE MOUNT TO RECESSED 4" JUNCTION BOX



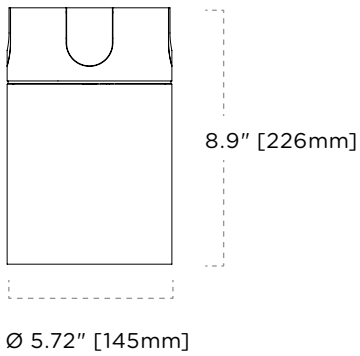
FINISHED INSTALL



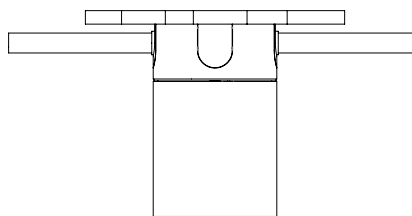
CANOPY ASSEMBLY



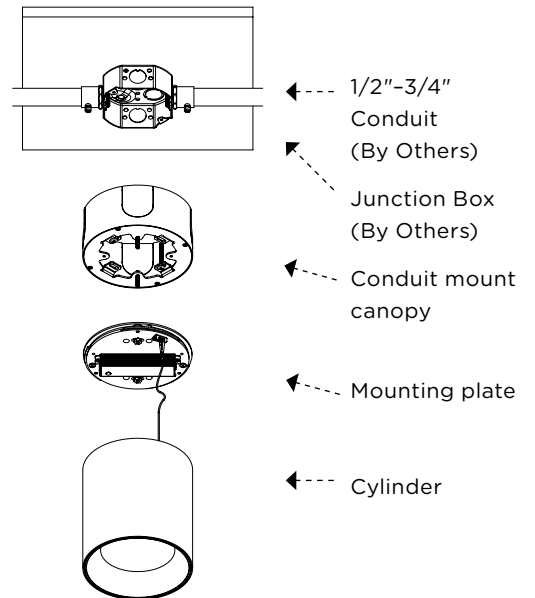
SURFACE CONDUIT MOUNT TO 4" OCTAGONAL JUNCTION BOX WITH CONDUIT ENTRY



FINISHED INSTALL

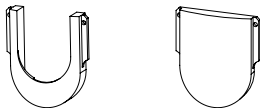


CANOPY ASSEMBLY



CONDUIT ACCESSORIES

FEED COVER BLANK COVER



4" OCTAGONAL JUNCTION BOX (BY OTHERS)

