

LED PIPE™

5" Surface | Premium LED

Our LED Pipe™ family of cylinders provide architects and lighting designers with almost limitless design possibilities. Whether you need to light a space with inaccessible ceilings, disappear among the pipes and ducts of an open-ceiling design, focus attention on a specific architectural detail or make a dramatic statement, you can solve almost any lighting problem with a LED Pipe™.



Downlight



LED PIPE™

5" Surface | Premium LED

RATINGS



Damp
Location



Wet
Location

CERTIFICATIONS



Intertek



5yr. Warranty

FEATURES

- Ø 5.38" [137mm] Aperture
- Utilizes Xicato LED technology
- Single media ready
- Clear media lens (damp location)
- Clear flush mounted lens (wet location)
- Extruded aluminum cylinder body
- Machined aluminum components
- Powder coated finishes
- Mounts to 4" octagonal junction box (by others)
- Conduit mount option available

FINISHES



Anthracite
Metallic



Chocolate
Metallic



Glimmer
Gold



Ink Black
Metallic



Moroccan
Metallic



Nano
White



Sienna
Metallic



Slate Grey
Metallic

BEAM SPREADS



13°



24°



43°

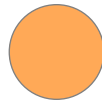


60°

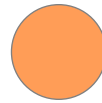


Wall Wash

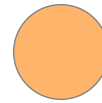
COLOR TEMPERATURES



2700K



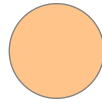
2700K
Beauty



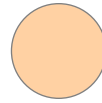
3000K



3000K
Vibrant



3500K



4000K

PERFORMANCE SUMMARY (PER LAMP)

Color Accuracy (SDCM)	≤ 1 x 2	
L70 Estimate (h)	50,000	
Color Rendering (CRI)	83	98
Lumen Series	8320	9813
Source Lumens	2000	1300
Delivered Lumens	1550	1050
LED Wattage	15	13
Lumen Series	8327	9821
Source Lumens	2700	2100
Delivered Lumens	2075	1550
LED Wattage	20	20
Lumen Series	8332	9826
Source Lumens	3200	2600
Delivered Lumens	2600	2025
LED Wattage	26	26

- Delivered lumens are based on 3000K color temperature, 60° beam angle and clear lens.
- Refer to IES files for individual product information.
- Consult factory for additional lower lumen options.

5" Surface | Premium LED | Integral Driver | Order Form

Order Code Example: C5S-R-W-6-21-21-X13-27-8320-P-120-CM-FR

PRODUCT NOTES:

1. [Blank] clear media lens mounted to regressed trim aperture.
 2. W clear glass lens is flush mounted to the trim aperture and is wet location listed when selected.
 3. XWW wall wash optic is aimable after installation. Not available in wet location.
 4. BM27 Color temperature is only available in 98 CRI.
 5. Consult factory for additional lower lumen options.
 6. S dimming is only available in 120V.
 7. LH dimming is only available in 8320 & 9813 CRI, Lumens.
 8. P1 and D dimming are NOT available in 8332 & 9826 CRI, Lumens.
 9. 347V voltage is only available in P dimming.
 10. CM mounts over 4" octagonal junction box (by others). Comes with 2 conduit feed covers and 3 blank covers. Consult factory for additional conduit accessories.
 11. Not available with wet location.
 12. Optional media replaces clear media when selected. Not available with XWW wall wash.
- 💧 Wet Location.

SELECT A CYLINDER

[1] CYLINDER

C5S 5" Surface

[2] CYLINDER SHAPE

R Round

[3] 3. GLASS

[Blank] Clear Lens ¹

W Clear Lens ² 💧

[4] LAYOUT

6 6"

[5] FINISH

- 21** Nano White
- 23** Anthracite Metallic
- 24** Ink Black Metallic
- 25** Slate Grey Metallic
- 28** Glimmer Gold
- 31** Sienna Metallic
- 32** Moroccan Metallic
- 34** Chocolate Metallic
- CC** Custom Color

[6] REFLECTOR FINISH

- 21** Nano White
- 23** Anthracite Metallic
- 24** Ink Black Metallic
- 25** Slate Grey Metallic
- 28** Glimmer Gold
- 31** Sienna Metallic
- 32** Moroccan Metallic
- 34** Chocolate Metallic
- CC** Custom Color

[7] MODULE & BEAM SPREAD

- X13** 13° Beam
- X24** 24° Beam
- X43** 43° Beam
- X60** 60° Beam
- XWW** Wall Wash ³

[8] COLOR TEMPERATURE

- 27** 2700K
- 30** 3000K
- 35** 3500K
- 40** 4000K
- BM27** Beauty 2700K ⁴
- VB30** Vibrant 3000K

[9] LUMENS SERIES ⁵

- 8320** 83 CRI, 2000 Lumens
- 9813** 98 CRI, 1300 Lumens
- 8327** 83 CRI, 2700 Lumens
- 9821** 98 CRI, 2100 Lumens
- 8332** 83 CRI, 3200 Lumens
- 9826** 98 CRI, 2600 Lumens

[10] DIMMING

- D** Dali-2 Dimming (1%) ⁸
 - LH** Lutron Hi-lume EcoSystem
- Soft-on Fade-to-Black (1%) ⁷
- P** 0-10V Dimming (1%)
 - P1** eldoLED 0-10V Dimming (1%) ⁸
 - S** Phase Dimming (1%) ⁶

[11] VOLTAGE

- 120** 120V
- 277** 277V
- 347** 347V ⁹

[12] MOUNTING

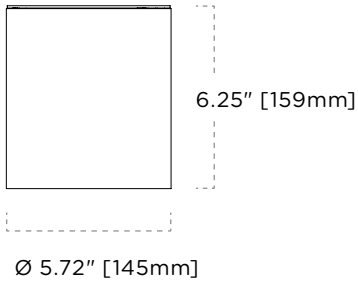
- [Blank]** Surface mount to recessed 4" octagonal junction box
- CM** Surface conduit mount to surface mount 4" octagonal junction box ^{10,11}

[13] OPTIONAL MEDIA (1 MAX.) ¹²

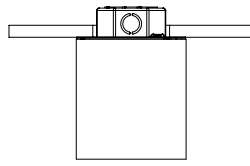
- [Blank]** No Media
- FR** Frosted
- HC** Honeycomb
- SL** Softening
- SPDL** Spread

5" CEILING CANOPY

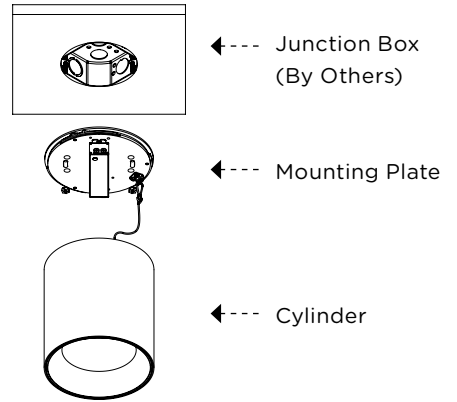
SURFACE MOUNT TO RECESSED 4" JUNCTION BOX



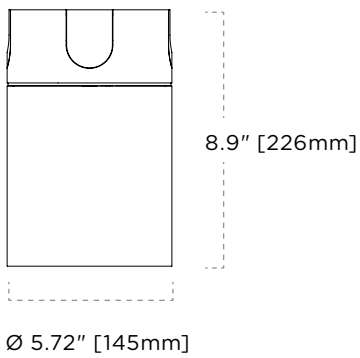
FINISHED INSTALL



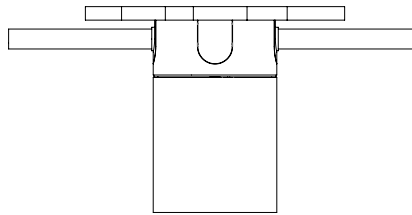
CANOPY ASSEMBLY



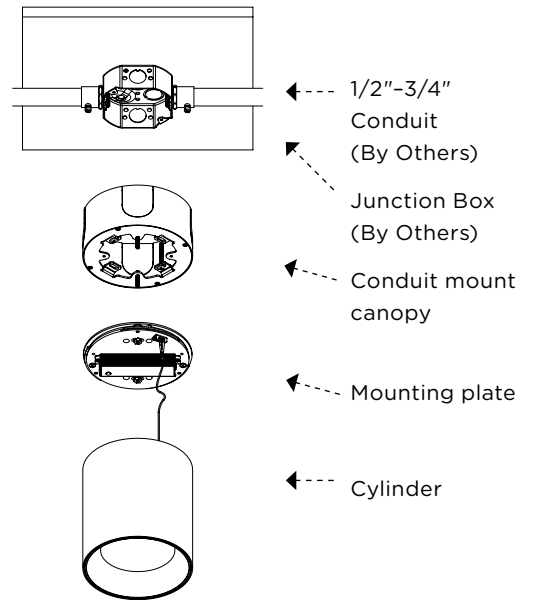
SURFACE CONDUIT MOUNT TO 4" OCTAGONAL JUNCTION BOX WITH CONDUIT ENTRY



FINISHED INSTALL

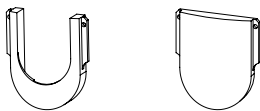


CANOPY ASSEMBLY



CONDUIT ACCESSORIES

FEED COVER BLANK COVER



4" OCTAGONAL JUNCTION BOX (BY OTHERS)

