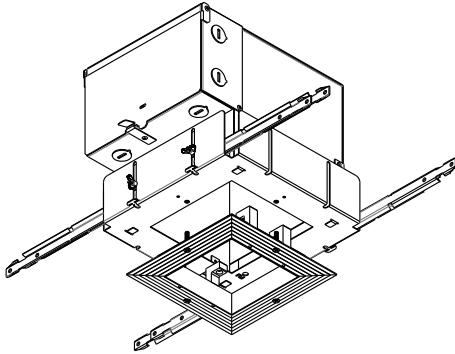
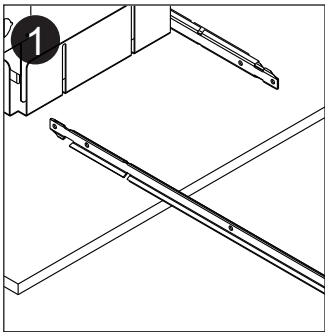


MXL-TL-BRO SERIES
LED LIGHT MODULE

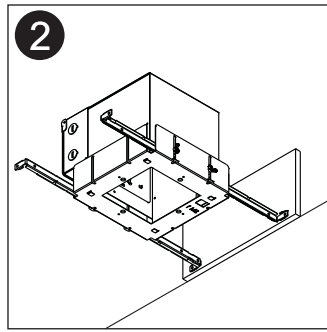


This product must be installed in accordance with the applicable code by a person familiar with the construction and operation of the product and the hazards involved. Read all of these instructions before installing.

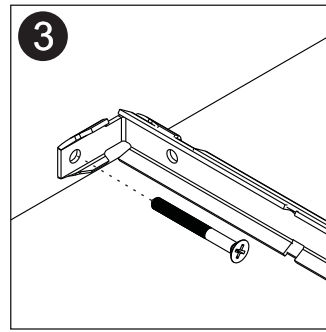
WARNING: Not rated for Insulated Ceilings (non IC rated).
WARNING: Disconnect power prior to servicing or installing.



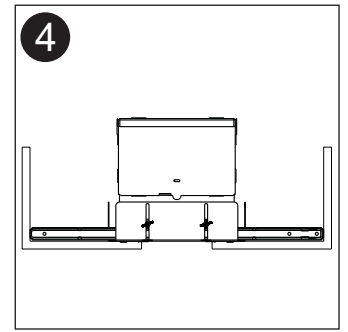
1 Slide hanger bars into base plate in the desired direction.



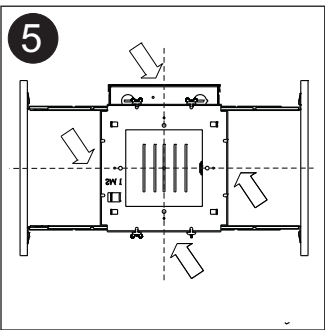
2 For wood joints bend end tabs 90 degrees.



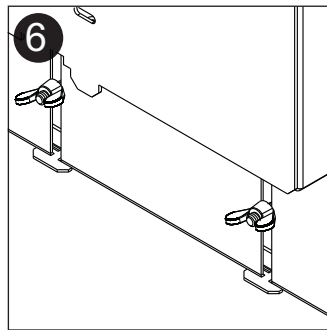
3 For added security install a nail or screw through the hole.



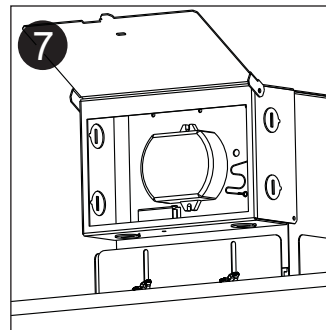
4 Position base plate to desired location by sliding left/right or up/down.



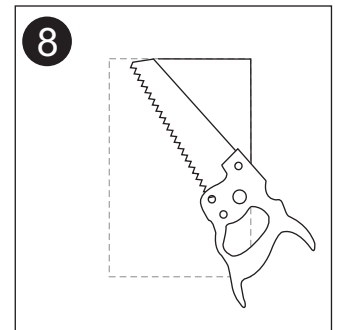
5 To line up a row of fixtures, use centering holes on either side of base plate.



6 When fixtures is in its desired position, secure in place by tightening wing nuts.

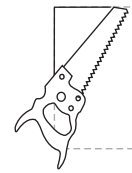
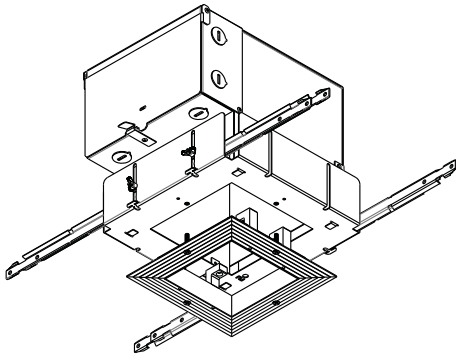


7 Unhinge lid of electrical box & connect input power to Primary of transformer.



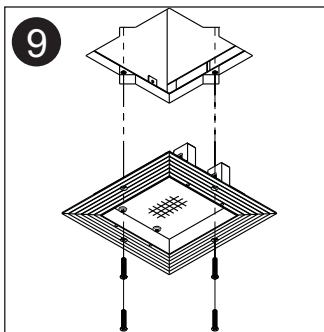
8 Mark approximate fixture location in ceiling. Cut open using hole as your guide.

MXL-TL-BRO SERIES
LED LIGHT MODULE

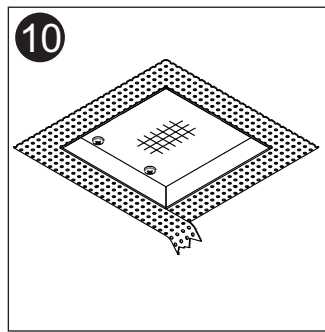


Cut out hole sizes

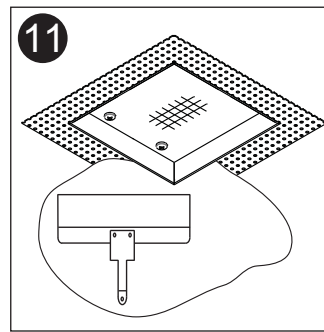
MX 1	=	7 1/4" x 7 1/4"
MX 2	=	7 1/4" x 14"
MX 3	=	7 1/4" x 20 3/4"
MX4(1x4)	=	7 1/4" x 27 1/2"
MX4(2x2)	=	13 7/8" x 13 7/8"
MX 6	=	7 1/4" x 41"



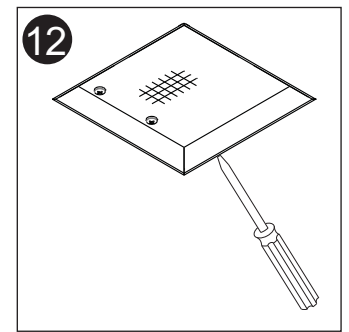
9
Expose mounting hardware on base plate. Install trimless frame with screws provided.



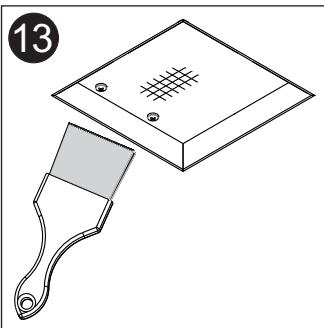
10
Apply fibre mesh tape (provided) over trimless frame edge. Remove excess tape.



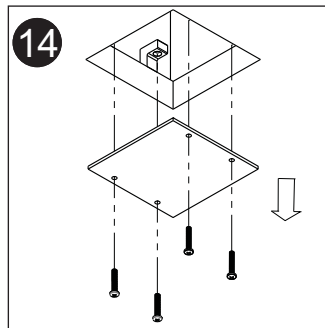
11
Apply thin coat of plaster mud onto trimless frame, using frame lip as the height guide. For best results feather mud 12" from hole edge.



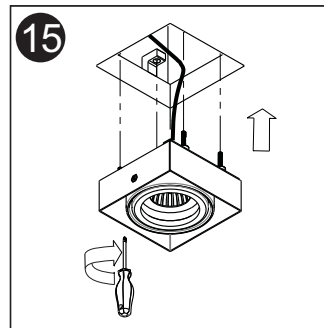
12
Use a small screwdriver or straightedge to clean the inside edge of the trimless frame of any excess drywall mud.



13
Paint ceiling. Excess paint on inside edge of frame may restrict the trim from sitting flat.



14
Remove protective cardboard cover. Screws not required further.

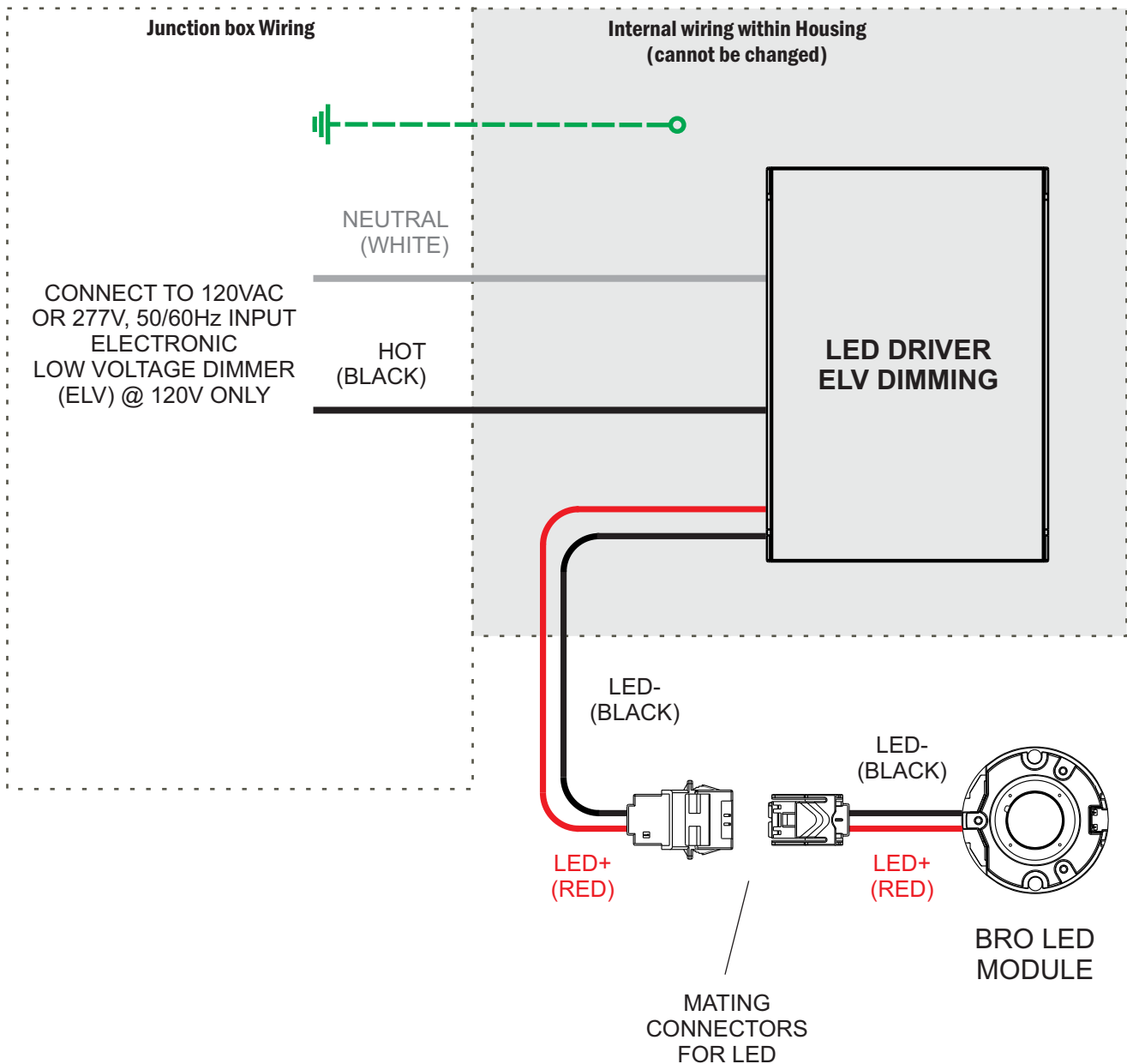


15
Insert trim assembly into place and secure with (4) captive screws.

BRO - ELV DIMMING INSTRUCTION

WARNING:

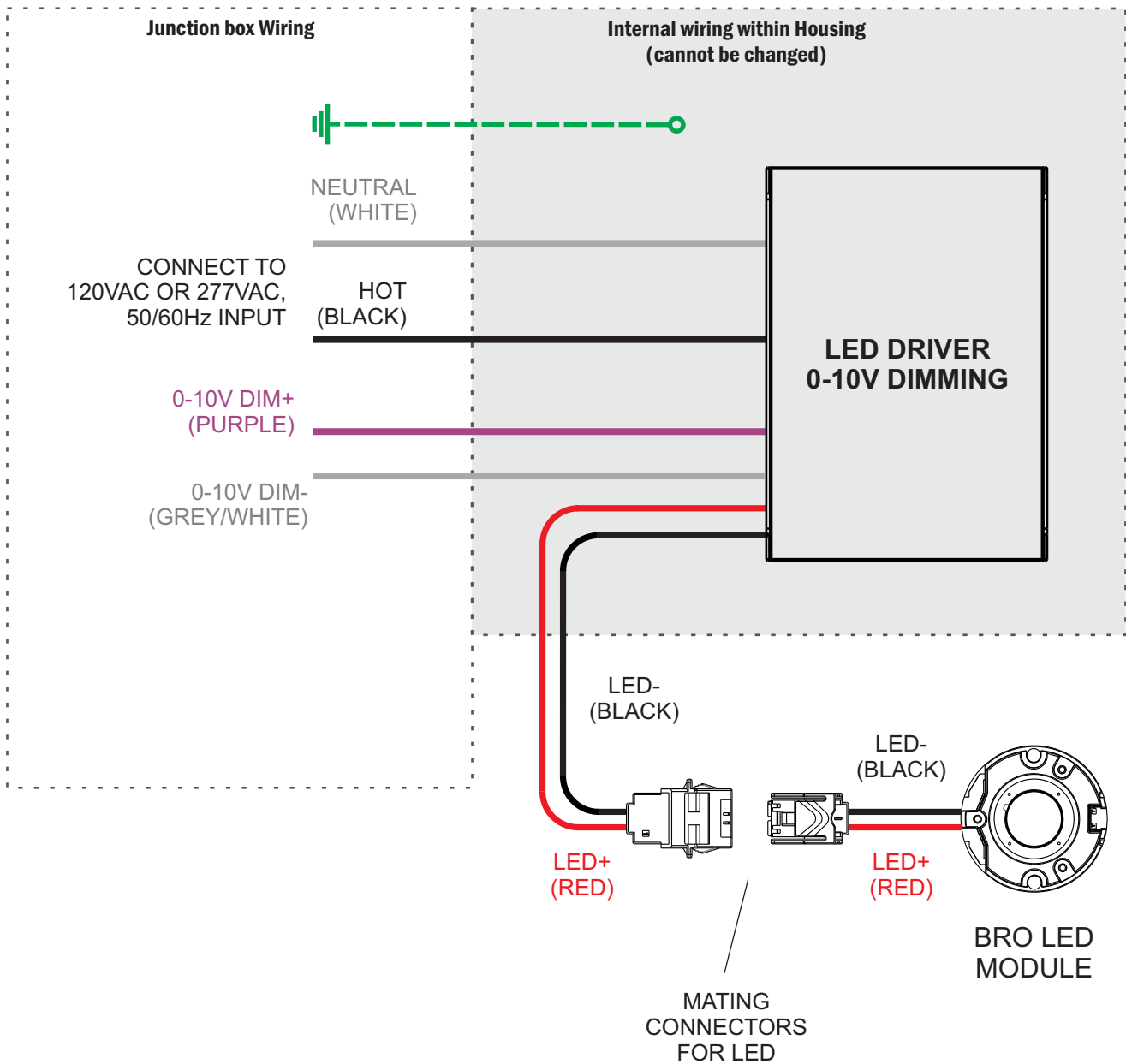
ENSURE FIXTURE IS SWITCHED **OFF** BEFORE CONNECTING LED PRODUCT.
FAILURE TO DO SO WILL CAUSE **IMMEDIATE LED FAILURE**



BRO - 0-10V DIMMING INSTRUCTION

WARNING:

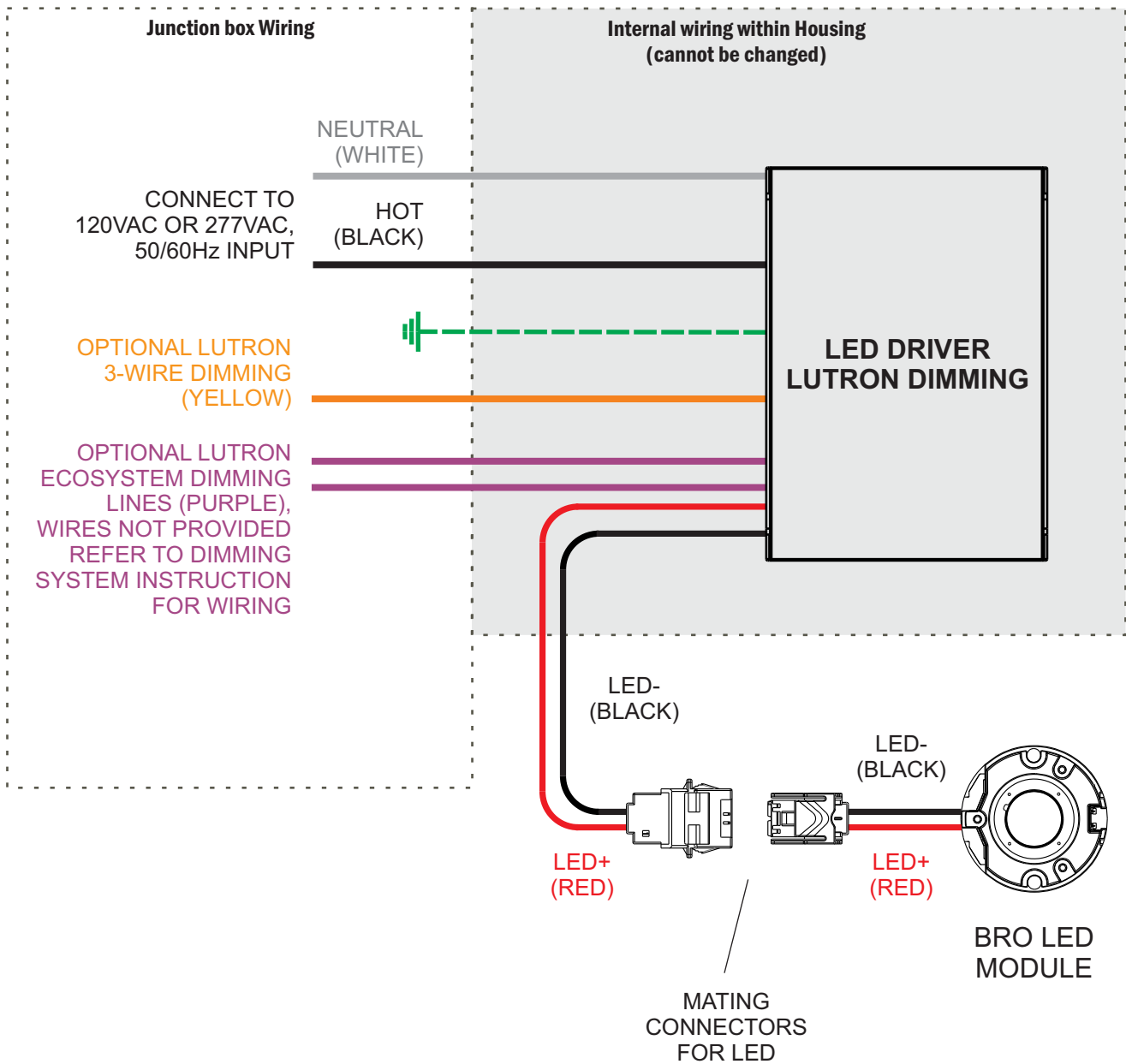
ENSURE FIXTURE IS SWITCHED **OFF** BEFORE CONNECTING LED PRODUCT.
FAILURE TO DO SO WILL CAUSE **IMMEDIATE LED FAILURE**



BRO - LUTRON DIMMING INSTRUCTION

WARNING:

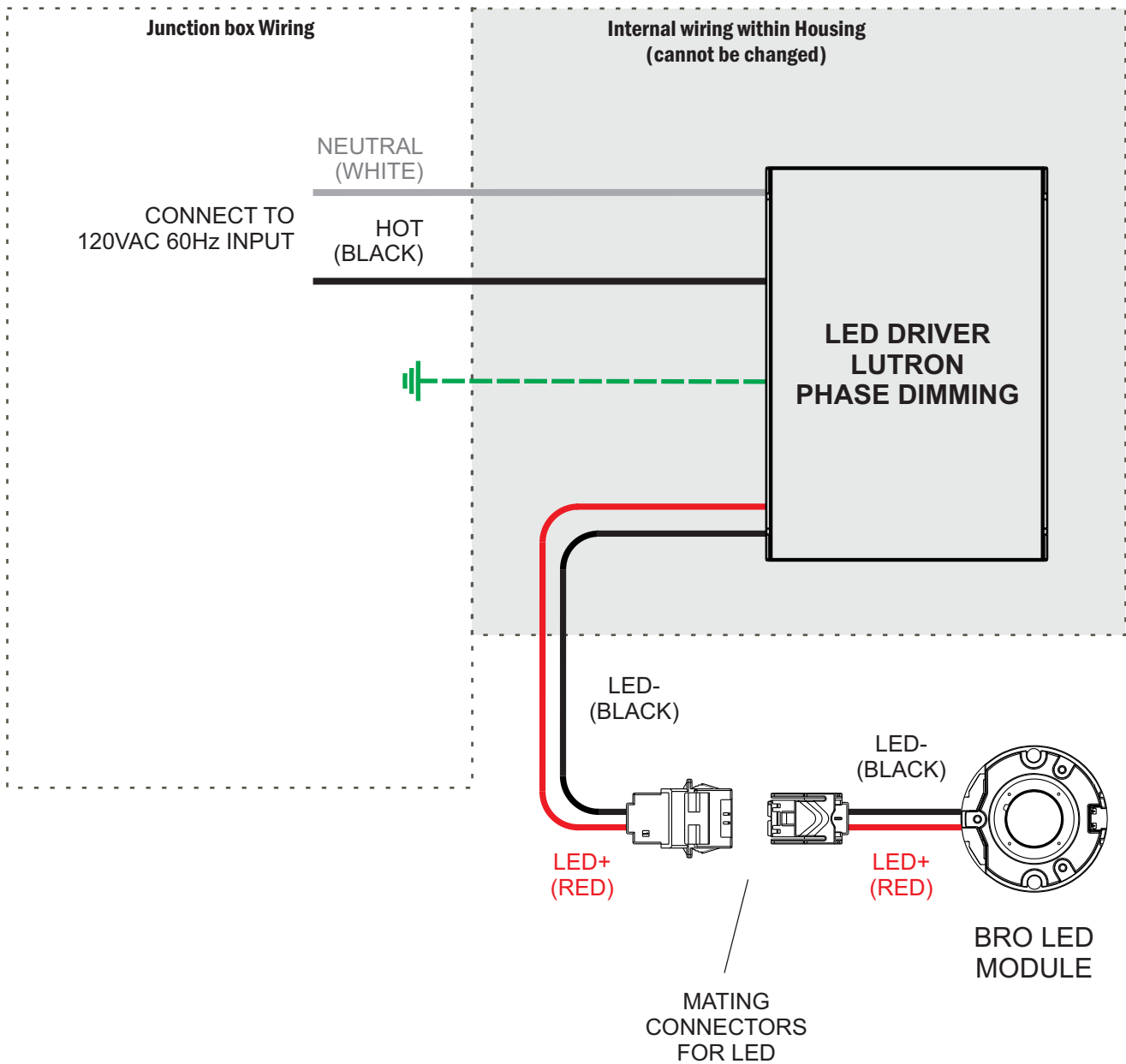
ENSURE FIXTURE IS SWITCHED **OFF** BEFORE CONNECTING LED PRODUCT.
FAILURE TO DO SO WILL CAUSE **IMMEDIATE LED FAILURE**



BRO - LUTRON PHASE DIMMING INSTRUCTION

WARNING:

ENSURE FIXTURE IS SWITCHED **OFF** BEFORE CONNECTING LED PRODUCT.
FAILURE TO DO SO WILL CAUSE **IMMEDIATE LED FAILURE**



BRO - DALI DIMMING INSTRUCTION

WARNING:

ENSURE FIXTURE IS SWITCHED **OFF** BEFORE CONNECTING LED PRODUCT.
FAILURE TO DO SO WILL CAUSE **IMMEDIATE LED FAILURE**

