



Legacy Downlights

2-125-TL | Incandescent

Trimless Deep Aurora

Deep Aurora provides an excellent cutoff where occupants require glare-free downlighting. The smaller lumen packages are highly effective in low mounting heights, while the larger packages supply efficient illumination from high ceilings.

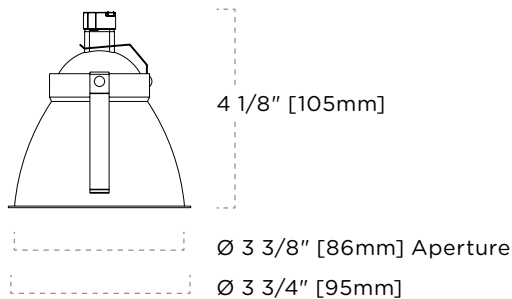
FEATURES

- Damp location listed
- Ø 3 3/8" [86mm] Aperture
- 2 1/4" lamp regression above the ceiling plane for excellent glare control
- Clear media standard
- Accepts up to 2 media
- Die-cast aluminum fixture
- Powder coated and plated trim ring finishes
- Trim clips designed for 5/8" ceiling thickness

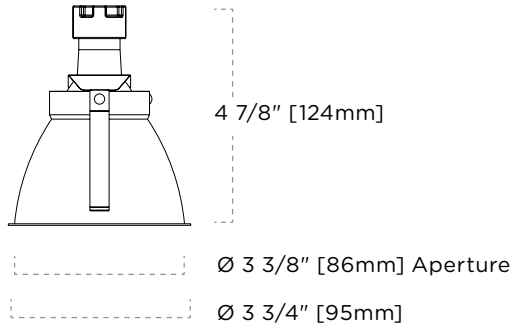
REFLECTOR FINISHES

- Black Open
- Nickel Satin
- Silver Satin
- White Open

DIMENSIONS—MR16



DIMENSIONS—GU10



Legacy Downlights

2-125-TL | Incandescent

Trimless Deep Aurora



TAG TYPE

ORDER FORM

1	2	3	4

1. TRIM

2-125-TL Trimless Deep Aurora

2. LAMP

MR16 Halogen

GU10 Halogen

3. REFLECTOR FINISH

BLO Black Open

NICS Nickel Satin

SAS Satin Silver

WHO White Open

CC Custom Color¹

4. OPTIONAL MEDIA (2 MAXIMUM)

CL Clear

EL Elongating

FRO Frosted

HC Honeycomb

PER Perimeter Frosted

SL Solite Softening

SPDL Spread

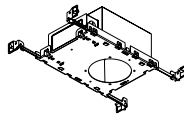
COMPATIBLE HOUSINGS

NON-INSULATED/FRAME IN

2-020 (MR16, GU10)

L 10.5" W 7.75" H 4.5"

L 267mm W 197mm H 115mm



INSULATED

2-010 (MR16, GU10)

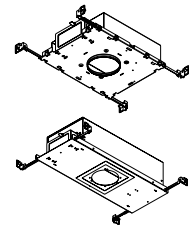
L 13.75" W 10.875" H 7"

L 350mm W 277mm H 178mm

2-012 (MR16, GU10)

L 22.5" W 8.5" H 5.875"

L 572mm W 216mm H 150mm



CERTIFICATIONS

