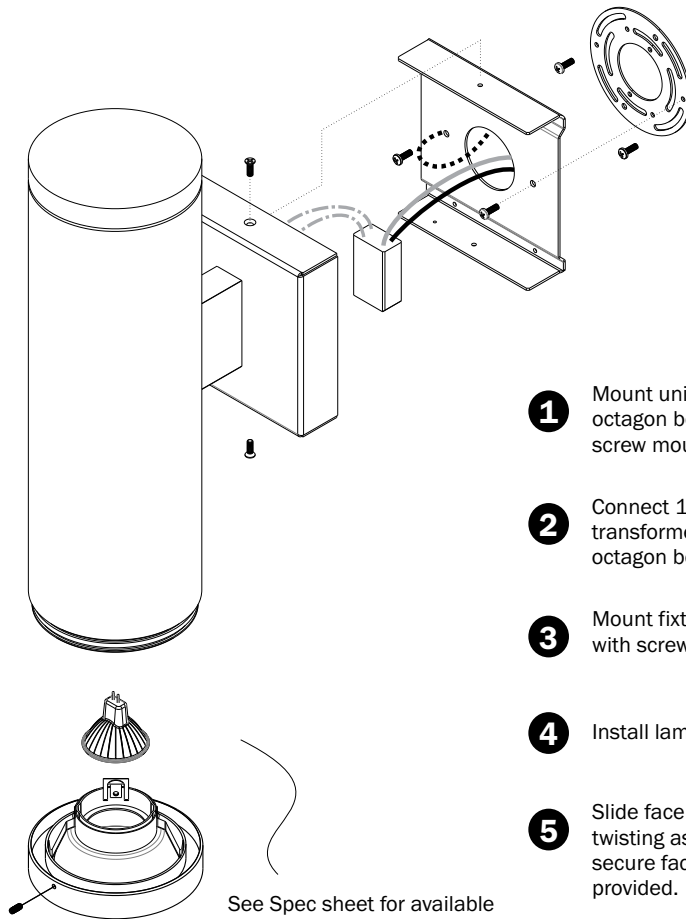
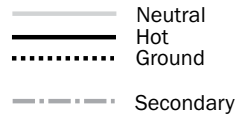


Install Guide

WL-MAX2 SERIES OUTDOOR MR16 CYLINDER



- 1 Mount universal adapter to electrical octagon box and rotate to align with screw mounting holes in canopy
- 2 Connect 120V or 277V primary of electronic transformer to the primary in the electrical octagon box. Connect ground leads.
- 3 Mount fixture to electrical octagon box with screws provided
- 4 Install lamp into socket
- 5 Slide face ring over end of cylinder, slightly twisting as you are removing or installing. To secure face ring tighten set screw using hex provided.

See Spec sheet for available reflector options.

Down Only option show here see spec sheet for **Up Only** and **Up/Down** options.

