



# MAX Cylinders

WL-MAX1 | Incandescent

## Outdoor Suspended Cylinder

Suitable for wet locations, the universal styling of the MAX cylinder family can integrate quietly with any décor—or make a statement with a bold custom finish. Matching the look and feel of the legacy downlight family, the 2 1/2" regressed lamp is without glare.

### FEATURES

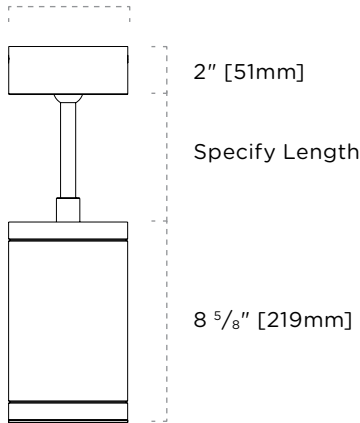
- Ø 3.375" [86mm] Aperture
- Wet location listed
- Accommodates sloped ceilings up to 40°
- Swivel canopy supplied as standard.
- Made of machined aluminum extrusion
- Stainless steel hardware
- Clear tempered glass lens included with an additional beam shaping lens available. Contact factory for specialty lenses.
- Maximum 75W halogen MR16 lamp
- MR16 lamp is only compatible with standard electronic transformer.
- MR16 LED lamp is only compatibility with E15 electronic transformer option.
- Rated for 50W PAR20 or 75W PAR30 lamps

### LISTINGS



### DIMENSIONS

Ø5" [127mm]



### FINISHES

- White
- Black
- Matte Silver
- Bronze
- Matte Nickel

### CERTIFICATIONS



### STEM LENGTHS

Product Code	Length (in)
ST6	6"
ST12	12"
ST18	18"
ST48	48"
STC	Custom Length

### MR16 LAMP MAXIMUM WATTAGES

(E) Standard Electronic Transformer		(E15) Electronic Transformer	
120V	277V	120V	277V
75W		15W	

### MR16 LAMP TYPE COMPATIBLE TRIMS

Trim	Flange Type	
	Trimmed	Trimless
2-120 Aurora		—
2-125 Deep Aurora		—

# MAX Cylinders

WL-MAX1 | Incandescent

## Outdoor Suspended Cylinder



### TAG TYPE

#### ORDER FORM-MR16 LAMP

1	2	3	4	5	6	7

#### 1. CYLINDER

**WL-MAX1** Outdoor Cylinder

#### 2. LAMP

**MR16** Halogen

#### 3. FLANGE TYPE<sup>1</sup>

**2-120-XX** Aurora

**2-125-XX** Deep Aurora

#### 4. TRANSFORMER

**E** Electronic<sup>2</sup>

**E15** 15W Electronic<sup>3</sup>

#### 5. VOLTAGE

**120**

**277**

#### 6. FINISH

**01** White

**04** Black

**05** Matte Silver

**06** Bronze

**11** Matte Nickel

**CC** Custom Color<sup>4</sup>

#### 7. OPTIONS<sup>5</sup>

**ST6** 6" Stem

**ST12** 12" Stem

**ST18** 18" Stem

**ST48** 48" Stem

**STC** Custom Stem Length

#### NOTES

**1** For Flange Type, use trim spec sheets for specifying a complete trim part number.

**2** E Electronic transformer has a maximum of 75W, only available in halogen lamps.

**3** E15 Electronic transformer is compatible with Sora MR16 LED lamps, rated for a maximum 15W.

**4** CC custom color requires consultation with Lighthouse sales personnel.

**5** 40° sloped ceiling canopy supplied as standard.

#### ORDER FORM-PAR LAMP

1	2	3	4	5

#### 1. CYLINDER

**WL-MAX1** Outdoor Cylinder

#### 2. LAMP

**50W-PAR20-HAL**<sup>1</sup>

**75W-PAR30-HAL**<sup>2</sup>

#### 3. VOLTAGE

**120**

#### 4. FINISH

**01** White

**04** Black

**05** Matte Silver

**06** Bronze

**11** Matte Nickel

**CC** Custom Color<sup>3</sup>

#### 5. OPTIONS<sup>4</sup>

**ST6** 6" Stem

**ST12** 12" Stem

**ST18** 18" Stem

**ST48** 48" Stem

**STC** Custom Stem Length

#### NOTES

**1** A clear specular reflector is used with the PAR20 lamp. Contact factory if a different reflector is required.

**2** PAR30 lamp has no reflector.

**3** CC custom color requires consultation with Lighthouse sales personnel.

**4** 40° sloped ceiling canopy supplied as standard.