



LED PIPE™

C5S | Standard LED

5" Round Fixed Surface

Our LED Pipe™ family of cylinders provide architects and lighting designers with almost limitless design possibilities. Whether you need to light a space with inaccessible ceilings, disappear among the pipes and ducts of an open-ceiling design, focus attention on a specific architectural detail or make a dramatic statement, you can solve almost any lighting problem with a LED Pipe™.

FEATURES

- Damp location standard
- Wet location optional
- Ø 5.38" [137mm] Aperture
- Single media ready
- Clear media lens (damp location)
- Clear flush mounted lens (wet location)
- Extruded aluminum cylinder body
- Machine aluminum components
- Powder coated finishes
- Mounts to 4" octagonal junction box (by others)
- Conduit mount option available

PERFORMANCE SUMMARY

Color Accuracy (SDCM)	<3	
L70 Estimate (h)	50,000	
Color Rendering (CRI)	80	90
Lumen Series		
Source Lumens	2700	2300
LED Wattage	17	17
Lumen Series		
Source Lumens	3500	3000
LED Wattage	25	25
Lumen Series		
Source Lumens	4300	3700
LED Wattage	32	32

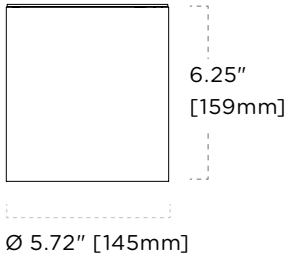
*Consult factory for additional lower lumen options.

LISTINGS

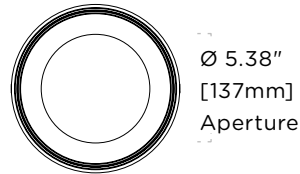


Wet
Location



DIMENSIONS—SIDE



DIMENSIONS—BOTTOM



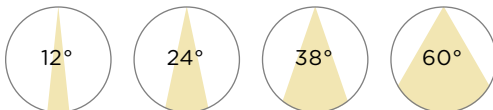
FINISHES

-  Anthracite Metallic
-  Espresso Metallic
-  Glimmer Gold
-  Ink Black Metallic
-  Nano White
-  Slate Grey Metallic
-  Terra Metallic

COLOR TEMPERATURES

-  2700K
-  3000K
-  3500K
-  4000K

BEAM SPREADS



5" Round Fixed Surface



TAG TYPE

--	--	--	--	--	--	--	--	--	--	--	--	--

ORDER FORM

1	2	3	4	5	6	7	8	9	10	11	12	13

1. TRIM

C5S 5" Surface

2. APERTURE

R Round

3. GLASS

[blank] (Damp location)¹

W Clear lens (Wet location)²

4. LAYOUT

6 6"

5. FINISH

21 Nano White

23 Anthracite Metallic

24 Ink Black Metallic

25 Slate Grey Metallic

26 Espresso Metallic

27 Terra Metallic

28 Glimmer Gold

CC Custom Color

6. REFLECTOR FINISH

21 Nano White

23 Anthracite Metallic

24 Ink Black Metallic

25 Slate Grey Metallic

26 Espresso Metallic

27 Terra Metallic

28 Glimmer Gold

CC Custom Color

7. MODULE & BEAM SPREAD

B12 12° Beam

B24 24° Beam

B38 38° Beam

B60 60° Beam

8. COLOR TEMPERATURE

27 2700K

30 3000K

35 3500K

40 4000K

9. CRI, LUMENS³

8027 80 CRI, 2700 Lumens

9023 90 CRI, 2300 Lumens

8035 80 CRI, 3500 Lumens

9030 90 CRI, 3000 Lumens

8043 80 CRI, 4300 Lumens

9037 90 CRI, 3700 Lumens

10. DIMMING

LE Lutron Phase (1%)^{4,5}

LH Lutron EcoSystem (1%)⁵

P 0-10V Dimming (1%)

P1 eldoLED 0-10V Dimming (1%)⁶

S Phase Dimming (5%)

11. VOLTAGE

120 120V

277 277V

347 347V^{7,8}

12. MOUNTING

[Blank] Surface mount to recessed 4" octagonal junction box

CM Surface conduit mount to surface mount 4" octagonal junction box^{9,10}

13. OPTIONAL MEDIA (1 MAX.)¹¹

FR Frosted

HC Honeycomb

SL Softening

SPDL Spread

NOTES

1 [blank] clear media lens mounted to regressed trim aperture.

2 W clear glass lens is flush mounted to the trim aperture and is wet location listed when selected.

3 Consult factory for additional lower lumen options.

4 LE dimming is only available in 120V.

5 LE & LH dimming are only available in 8027 & 9023 CRI, Lumens.

6 P1 dimming is NOT available in 8043 & 9037 CRI, Lumens.

7 347V voltage is only available in P dimming.

8 347V is NOT available in 8043 & 9037 CRI, Lumens.

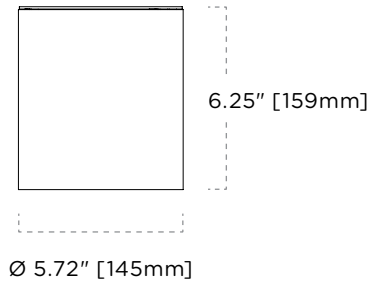
9 CM mounts over 4" octagonal junction box (by others). Comes with 2 conduit feed covers and 3 blank covers. Consult factory for additional conduit accessories.

10 Not available with wet location

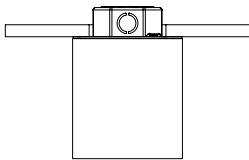
11 Optional media replaces clear media when selected.

5" CEILING CANOPY

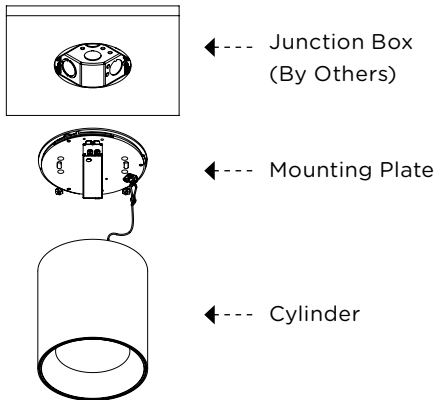
SURFACE MOUNT TO RECESSED 4" JUNCTION BOX



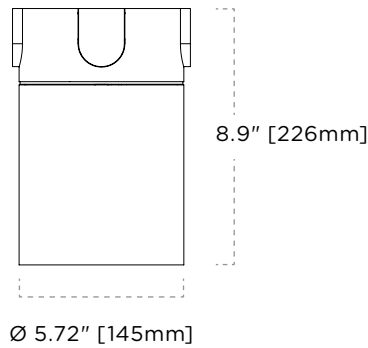
FINISHED INSTALL



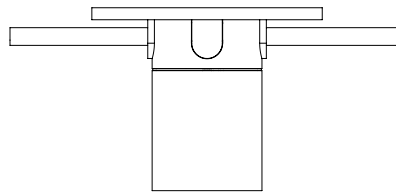
CANOPY ASSEMBLY



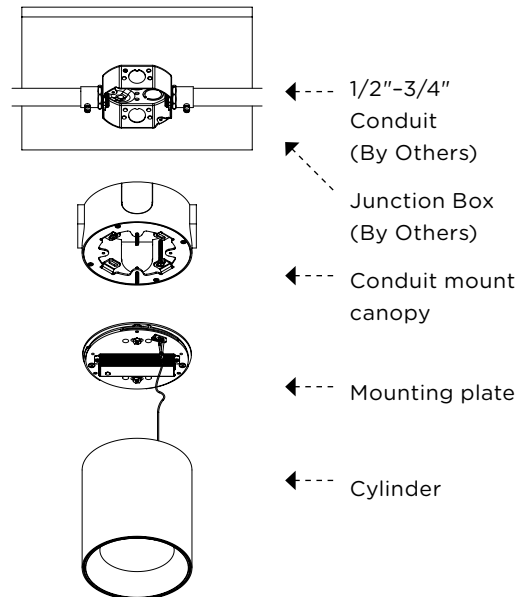
SURFACE CONDUIT MOUNT TO 4" OCTAGONAL JUNCTION BOX WITH CONDUIT ENTRY



FINISHED INSTALL

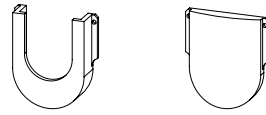


CANOPY ASSEMBLY

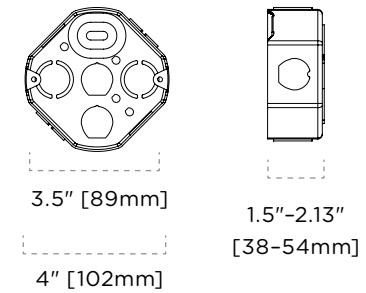


CONDUIT ACCESSORIES

FEED COVER BLANK COVER



4" OCTAGONAL JUNCTION BOX (BY OTHERS)



CERTIFICATIONS

