



LED PIPE™

C3SR | Standard LED

3" Round Fixed Surface

Our LED Pipe™ family of cylinders provide architects and lighting designers with almost limitless design possibilities. Whether you need to light a space with inaccessible ceilings, disappear among the pipes and ducts of an open-ceiling design, focus attention on a specific architectural detail or make a dramatic statement, you can solve almost any lighting problem with a LED Pipe™.

FEATURES

- Damp location listed
- Warm dimming available
- Ø 2 5/8" [67mm] Aperture
- Single media ready
- Clear lens standard
- Field interchangeable beam spreads
- Extruded aluminum cylinder body
- Machine aluminum components
- Powder coated finishes

PERFORMANCE SUMMARY

Color Accuracy (SDCM)	<3	
L70 Estimate (h)	50,000	
Color Rendering (CRI)	80	90
Lumen Series	3	
Source Lumens	1400	1000
LED Wattage	11	11
Lumen Series	5	
Source Lumens	1800	1400
LED Wattage	16	16

PERFORMANCE SUMMARY—WARM DIMMING

Color Rendering (CRI)	95
Lumen Series	3
Source Lumens	1000
LED Wattage	12

LISTINGS



Warm Dimming

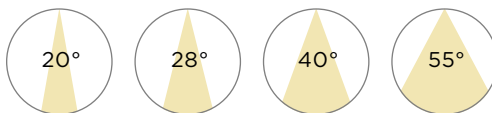
FINISHES

- Anthracite Metallic
- Espresso Metallic
- Glimmer Gold
- Ink Black Metallic
- Nano White
- Slate Grey Metallic
- Terra Metallic

COLOR TEMPERATURES

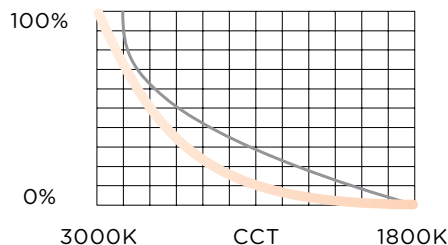
- 3000K-1800K (Warm Dim)
- 2700K
- 3000K
- 3500K
- 4000K

BEAM SPREADS



WARM DIMMING METRICS

— Warm Dimming — MR16 Halogen





3" Round Fixed Surface—Integral Driver

TAG TYPE

--	--	--	--	--	--	--	--	--	--	--	--

ORDER FORM

1	2	3	4	5	6	7	8	9	10	11	12

1. TRIM

C3S 3" Fixed Surface

2. APERTURE

R Round

3. LAYOUT

6 6" Cylinder Length

4. FINISH

- 21** Nano White
- 23** Anthracite Metallic
- 24** Ink Black Metallic
- 25** Slate Grey Metallic
- 26** Espresso Metallic
- 27** Terra Metallic
- 28** Glimmer Gold
- CC** Custom Color

5. REFLECTOR FINISH

- 21** Nano White
- 23** Anthracite Metallic
- 24** Ink Black Metallic
- 25** Slate Grey Metallic
- 26** Espresso Metallic
- 27** Terra Metallic
- 28** Glimmer Gold
- CC** Custom Color

6. MODULE & BEAM SPREAD ¹

- B20** 20° Beam
- B28** 28° Beam
- B40** 40° Beam
- B55** 55° Beam

7. COLOR TEMPERATURE

- 27** 2700K
- 30** 3000K
- 35** 3500K
- 40** 4000K
- 3018** 3000-1800K (Warm Dim) ²

8. CRI, LUMENS

- 8014** 80 CRI, 1400lm,
- 9010** 90 CRI, 1000lm
- 9510** 95 CRI, 1000lm (Warm Dim) ²
- 8018** 80 CRI, 1800lm
- 9014** 90 CRI, 1400lm

9. DIMMING

- LE** Lutron Phase (1%) ^{3,4}
- LH** Lutron EcoSystem (1%) ⁴
- P** 0-10V Dimming (10%)
- P1** 0-10V Dimming (1%) ⁴
- S** ELV Dimming (10%) ³

10. VOLTAGE

- 120**
- 277**

11. MOUNTING

- 3C** 3" Ceiling Canopy ⁵
- 5C** 5" Ceiling Canopy

12. OPTIONAL MEDIA (MAXIMUM 1)

- FR** Frosted
- HC** Honeycomb
- PF** Perimeter Frosted
- SL** Softening
- SPDL** Spread

NOTES

- 1** Field interchangeable beam spread options require consultation with Lightheaded personnel.
- 2** 3018 warm dim color temperature is only available in 9510 CRI, Lumens.
- 3** LE & S dimming are only available in 120V.
- 4** LE, LH & P1 dimming require the ceiling canopy to be 6" in diameter & 3" deep. Refer to dimensional data.
- 5** 3C ceiling canopy includes C3-R-3CMP junction box mounting plate. (can be shipped in advance upon request). Must be installed with octagonal junction box prior to ceiling installation. Octagonal junction box not included.

3" Round Fixed Surface—Remodel Driver



TAG TYPE

--	--	--	--	--	--	--	--	--	--	--	--	--	--	--	--

ORDER FORM

1	2	3	4	5	6	7	8	9	10	11	12	13	14	15

1. TRIM

C3S 3" Fixed Surface

2. APERTURE

R Round

3. LAYOUT

6 6"

4. FINISH

- 21** Nano White
- 23** Anthracite Metallic
- 24** Ink Black Metallic
- 25** Slate Grey Metallic
- 26** Espresso Metallic
- 27** Terra Metallic
- 28** Glimmer Gold
- CC** Custom Color

5. REFLECTOR FINISH

- 21** Nano White
- 23** Anthracite Metallic
- 24** Ink Black Metallic
- 25** Slate Grey Metallic
- 26** Espresso Metallic
- 27** Terra Metallic
- 28** Glimmer Gold
- CC** Custom Color

6. MODULE & BEAM SPREAD ¹

- B20** 20° Beam
- B28** 28° Beam
- B40** 40° Beam
- B55** 55° Beam

7. COLOR TEMPERATURE

- 27** 2700K
- 30** 3000K
- 35** 3500K
- 40** 4000K
- 3018** 3000-1800K (Warm Dim)²

8. CRI, LUMENS

- 8014** 80 CRI, 1400lm,
- 9010** 90 CRI, 1000lm
- 9510** 95 CRI, 1000lm (Warm Dim)²
- 8018** 80 CRI, 1800lm
- 9014** 90 CRI, 1400lm

9. DIMMING

RM Remodel Driver ³

10. MOUNTING

3C 3" Ceiling Canopy

11. OPTIONAL MEDIA (MAXIMUM 1)

- FR** Frosted
- HC** Honeycomb
- PF** Perimeter Frosted
- SL** Softening
- SPDL** Spread

NOTES

- 1** Field interchangeable beam spread options require consultation with Lightheaded personnel.
- 2** 3018 warm dim color temperature is only available in 9510 CRI, Lumens.
- 3** RM Remodel Driver is only compatible with DRB-C3 driver, sold separately.

12. REMODEL DRIVER

DRB-C3

13. SERIES

- 3** 1400 Lumens Max
- 5** 1800 Lumens Max

14. DIMMING

- LH** Lutron EcoSystem (1%)
- P** 0-10V Dimming (10%)
- S** Phase Dimming (10%)⁴

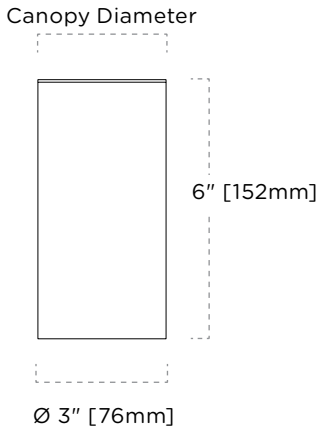
15. VOLTAGE

- 120** 120V
- 277** 277V

NOTES

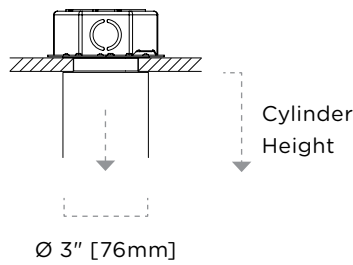
- 4** S dimming is only available in 120 voltage.

3" CEILING CANOPY

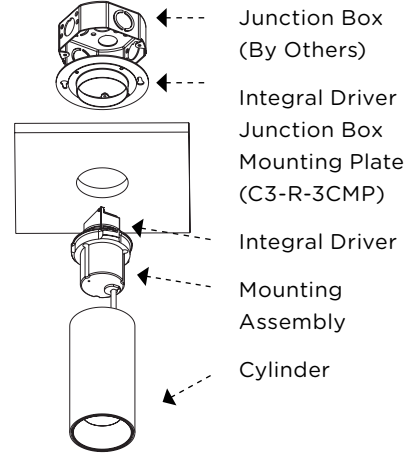


INTEGRAL DRIVER (P, S DIMMING)

FINISHED INSTALL



CANOPY ASSEMBLY

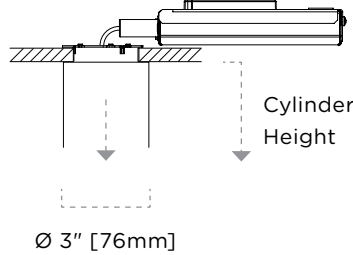


Note: Junction box mounting plate must be installed prior to the ceiling installation. Can be shipped in advance upon request.

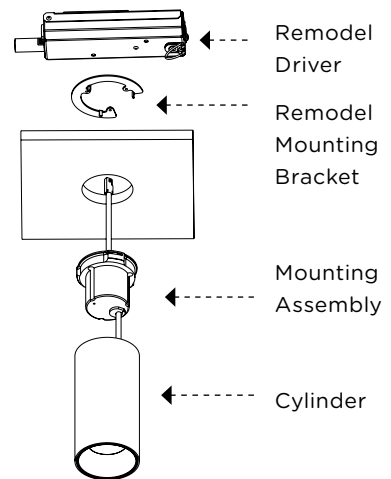
Note: Junction box not included.

REMODEL DRIVER (LH, P, S DIMMING)

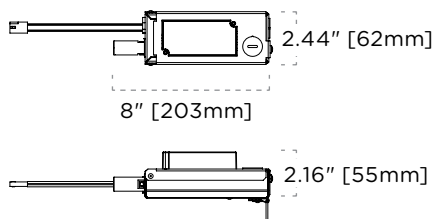
FINISHED INSTALL



CANOPY ASSEMBLY

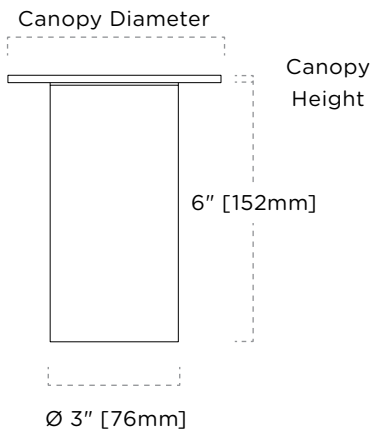


REMODEL DRIVER



Note: Remodel driver sold separately.

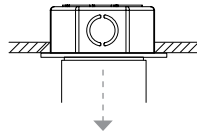
5" CEILING CANOPY



	Dimming				
	P	S	LE	LH	P1
Canopy Width	Ø 4.75" Ø 121mm		Ø 6" Ø 152mm		
Canopy Height	0.25" 7mm		3" 76mm		

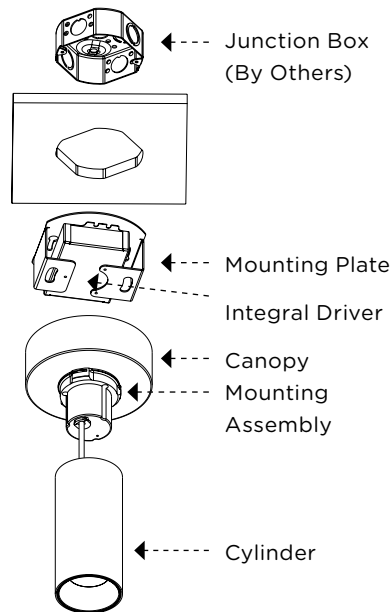
INTEGRAL DRIVER—CORD & STEM MOUNT

FINISHED INSTALL

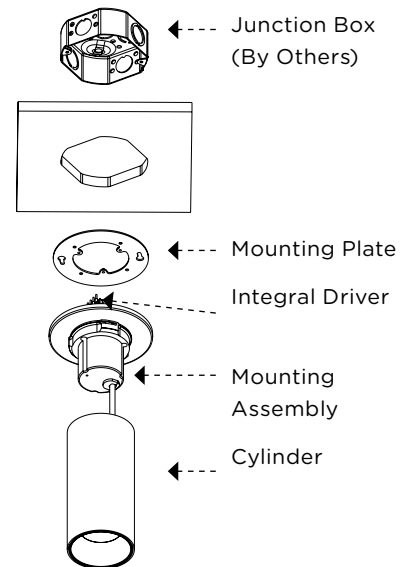


Note: Junction box not included.

CANOPY ASSEMBLY (LE, LH, P1 DIMMING)



CANOPY ASSEMBLY (P, S DIMMING)



CERTIFICATIONS

