

Legacy Downlights

2-125-T | Incandescent

Deep Aurora

Deep Aurora provides an excellent cutoff where occupants require glare-free downlighting. The smaller lumen packages are highly effective in low mounting heights, while the larger packages supply efficient illumination from high ceilings.

FEATURES

- Damp location listed
- Ø 3 3/8" [86mm] Aperture
- 2 1/4" lamp regression above the ceiling plane for excellent glare control
- Clear media standard
- Accepts up to 2 media
- Die-cast aluminum fixture
- Powder coated and plated trim ring finishes
- Trim clips designed for 5/8" ceiling thickness
- Trimless version available (see separate specifications)

FLANGE FINISHES

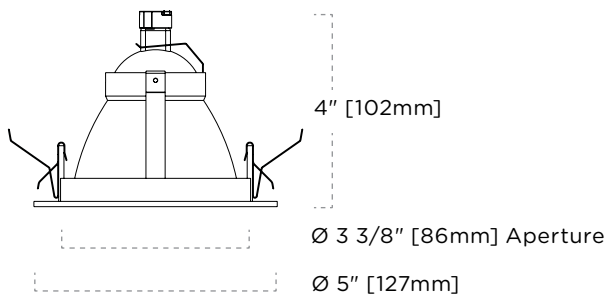
- White
- Chrome Plated
- Black
- Matte Silver
- Bronze
- Gold Plated
- Matte Nickel

REFLECTOR FINISHES

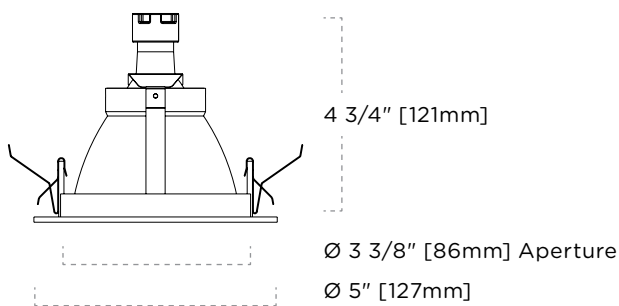
- Black Open
- Nickel Satin
- Silver Satin
- White Open



DIMENSIONS—MR16



DIMENSIONS—GU10



Legacy Downlights

2-125-T | Incandescent

Deep Aurora



TAG TYPE



ORDER FORM

1	2	3	4	5	6

1. TRIM

2-125-T Deep Aurora

2. LAMP

MR16 Halogen

GU10 Halogen

3. FLANGE FINISH

01 White

02 Chrome Plated

04 Black

05 Matte Silver

06 Bronze

09 Gold Plated

11 Matte Nickel

CC Custom Color¹

4. REFLECTOR FINISH

BLO Black Open

NICS Nickel Satin

SAS Satin Silver

WHO White Open

CC Custom Color¹

5. OPTIONAL MEDIA (2 MAXIMUM)

EL Elongating

FRO Frosted

HC Honeycomb

PER Perimeter Frosted

SL Solite Softening

SPDL Spread

CL Clear

6. OPTIONS

EXT Extension Clips (Maximum 2")

NOTES

1 CC custom color requires consultation with Lighthouse sales personnel.

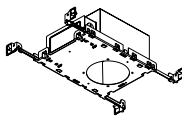
COMPATIBLE HOUSINGS

NON-INSULATED/FRAME IN

2-020 (MR16, GU10)

L 10.5" W 7.75" H 4.5"

L 267mm W 197mm H 115mm

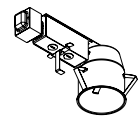


REMODEL

2-030 (MR16, GU10)

L 10.5" W 4.5" H 5.125"

L 267mm W 114mm H 130mm

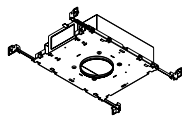


INSULATED

2-010 (MR16, GU10)

L 13.75" W 10.875" H 7"

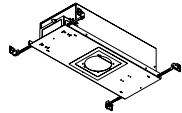
L 350mm W 277mm H 178mm



2-012 (MR16, GU10)

L 22.5" W 8.5" H 5.875"

L 572mm W 216mm H 150mm



CERTIFICATIONS

