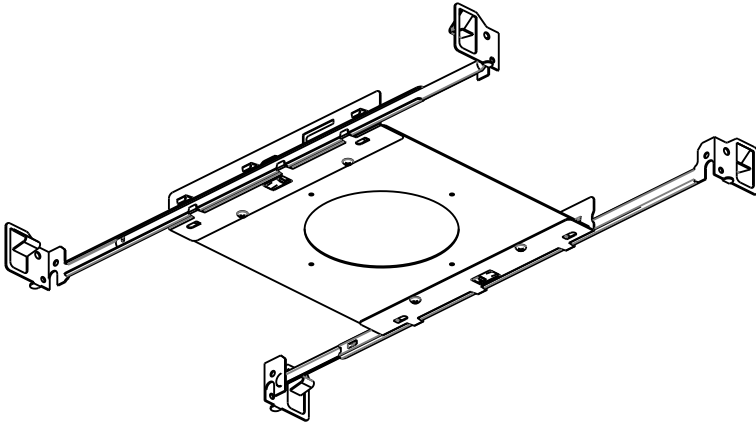


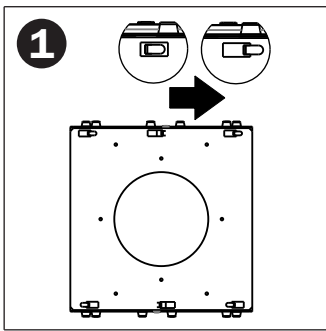
Install Guide

R3P-F-R-T NON-I/C BASEPLATE

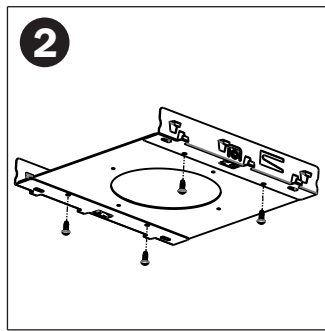


This product must be installed in accordance with the applicable code by a person familiar with the construction and operation of the product and the hazards involved. Read all of these instructions before installing.

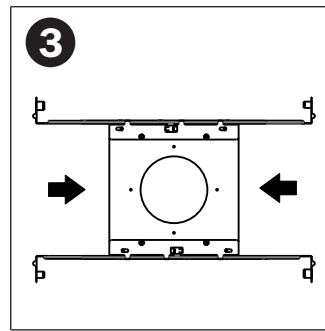
WARNING: Rated for non-insulated ceilings only (non IC rated)
WARNING: Disconnect power prior to servicing or installing.



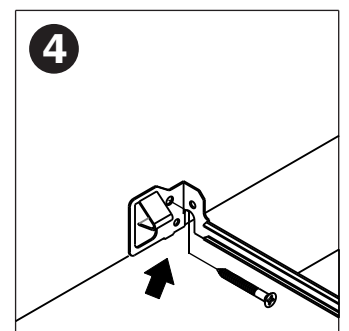
Slide and click tabs onto plate. Ensure mounting holes line up for step 2a.



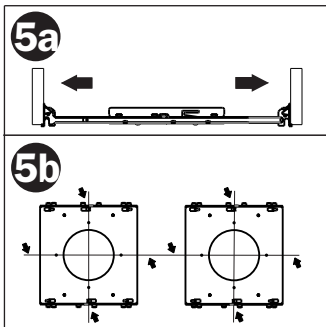
Align holes and screw brackets to base plate.



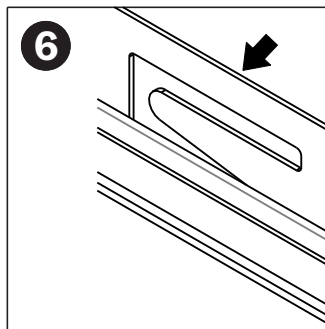
Slide hanging bars onto assembled base plate.



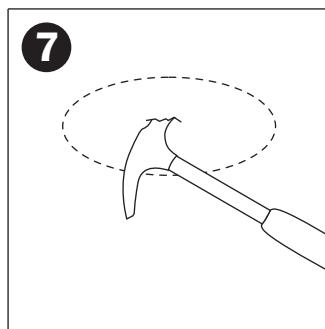
Line up bottom edge of hanging bars with bottom of wood joist and hammer in tabs. Nail or screw hanging bars into place



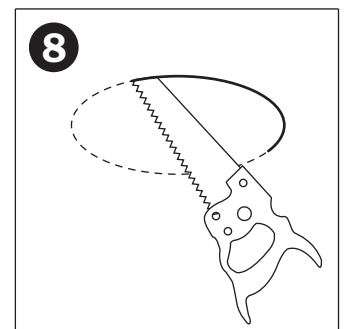
3a – Position trim hole to desired location by sliding housing
3b – Use centering holes on either side of base plate to line up a row of fixtures



To lock baseplate in place, bend tab with pliers over hanging bar.



Mark approximate fixture location in ceiling

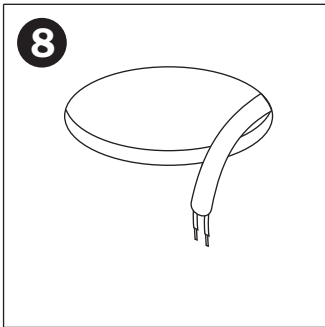


Cut open using baseplate hole as your guide

R3P-F-R-T-installation • Subject to change without notice • REV 2021.10.19

Install Guide

R3P-F-R-T NON-I/C BASEPLATE



This product must be installed in accordance with the applicable code by a person familiar with the construction and operation of the product and the hazards involved. Read all of these instructions before installing.

WARNING: Rated for non-insulated ceilings only (non IC rated)
WARNING: Disconnect power prior to servicing or installing.

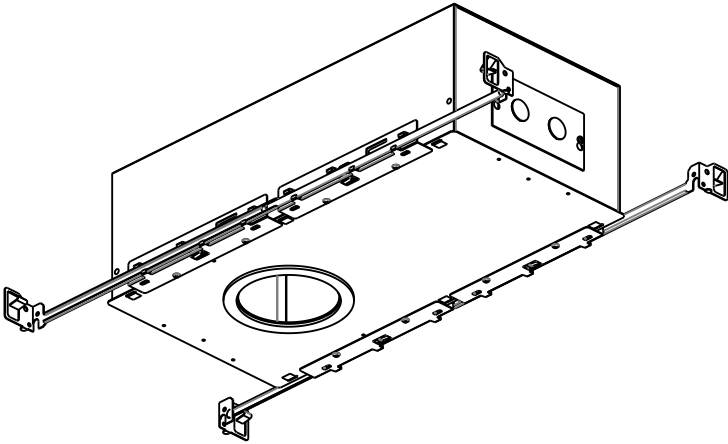
Caution: Careful attention should be made to cut within the hole diameter for the best fit

Pull electrical wire through newly cutout hole

R3P-F-R-T-installation • Subject to change without notice • REV 2021.10.19

Install Guide

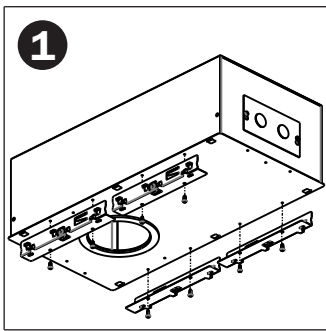
R3P-IC-R-T I/C BASEPLATE



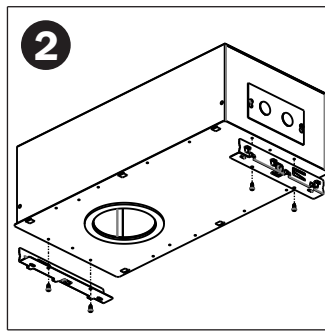
This product must be installed in accordance with the applicable code by a person familiar with the construction and operation of the product and the hazards involved. Read all of these instructions before installing.

WARNING: Rated for insulated ceilings (IC rated)

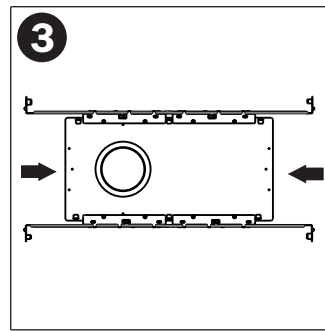
WARNING: Disconnect power prior to servicing or installing.



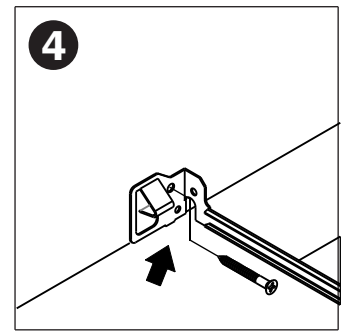
1
Horizontal mount use provided sheet metal screws.



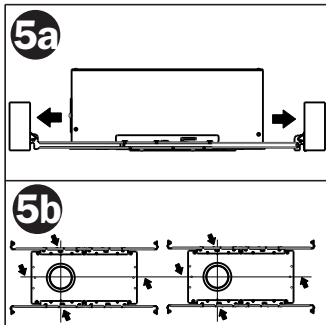
2
Optional Vertical mount. Align holes and use same screws.



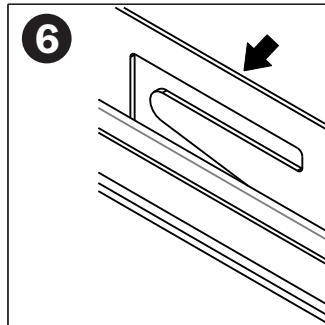
3
Slide hanging bars onto housing base plate



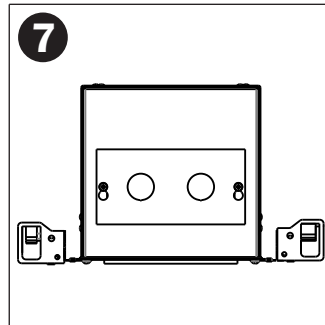
4
Line up bottom edge of hanging bars with bottom of wood joist and hammer in tabs. Nail or screw hanging bars into place



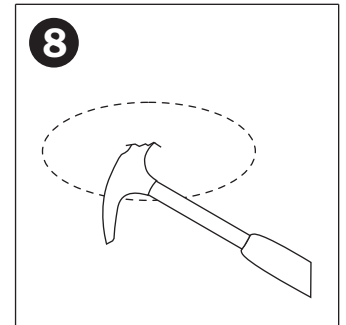
5a – Position trim hole to desired location by sliding housing
5b – Use centering holes on either side of base plate to line up a row of fixtures



6
To lock baseplate in place, bend tab with pliers over hanging bar.



7
Remove the Knock outs and make appropriate electrical connections.
See Dimming Instruction Diagram.

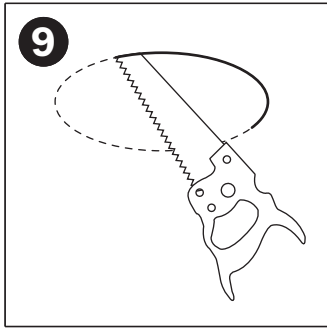


8
Mark approximate fixture location in ceiling

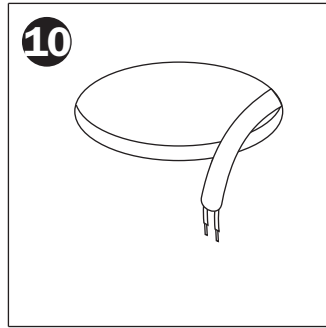
R3P-IC-R-T-Installation • Subject to change without notice • REV 2021.11.18

Install Guide

R3P-IC-R-T I/C BASEPLATE



Cut open using baseplate hole as your guide



Caution: Careful attention should be made to cut within the hole diameter for the best fit
Pull electrical wire through

This product must be installed in accordance with the applicable code by a person familiar with the construction and operation of the product and the hazards involved. Read all of these instructions before installing.

WARNING: Rated for insulated ceilings (IC rated)

WARNING: Disconnect power prior to servicing or installing.

R3P-IC-R-T-installation • Subject to change without notice • REV 2021.11.18