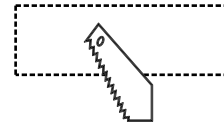
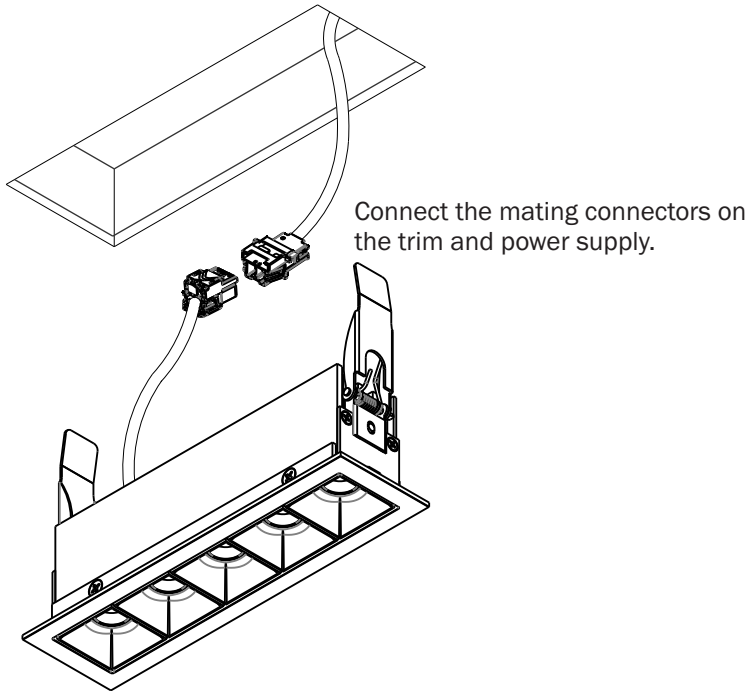


Install Guide

MMD-T & MMA-T SERIES MINIMALIST

WARNING: TURN OFF POWER before connecting trim. Failure to do so may cause LED Failure.

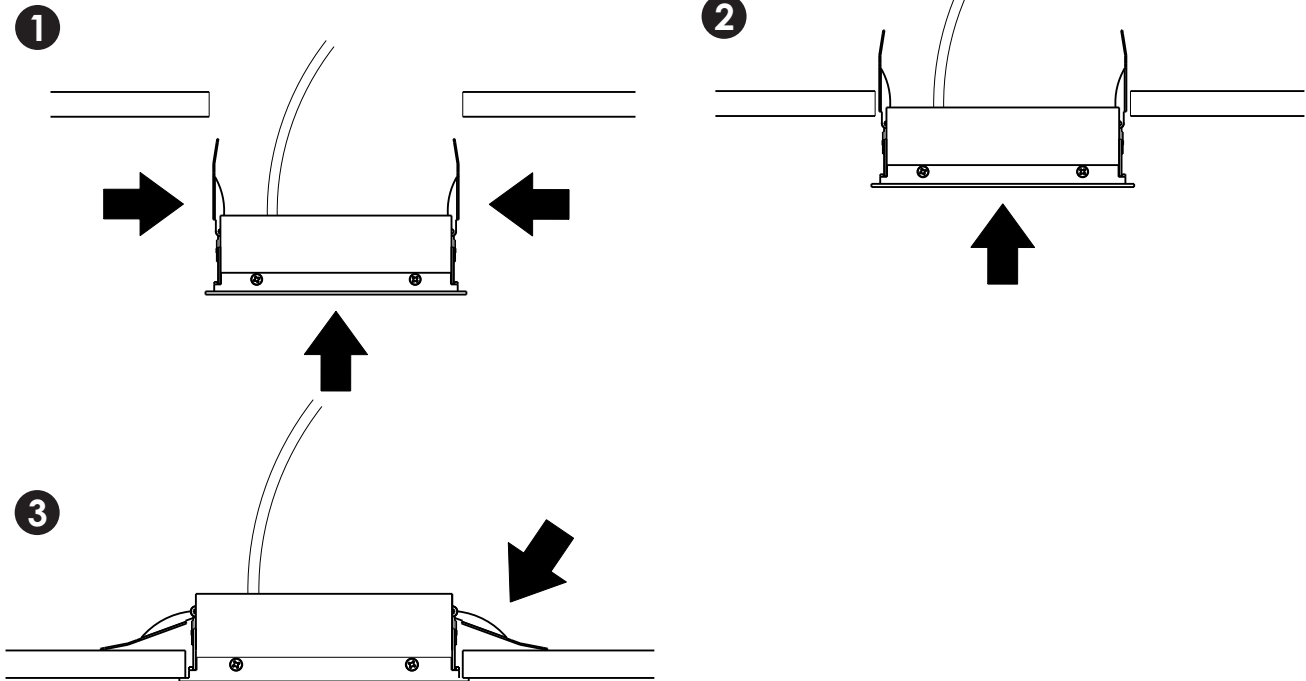


Rectangular or Square hole cutout

MMA-T-3	3" x 4 5/16"
MMA-T-5	3" x 6 11/16"
MMA-T-10	3" x 12 5/8"

MMD-T-1	1 9/16" x 1 9/16"
MMD-T-3	1 9/16" x 3 15/16"
MMD-T-4S	2 3/4" x 2 3/4"
MMD-T-5	1 9/16" x 6 5/16"
MMD-T-9S	3 7/8" x 3 7/8"
MMD-T-10	1 9/16" x 12 1/4"
MMD-T-15	1 9/16" x 18 1/8"

SPRING CLIP INSTALLATION - NOTE: SMALLER CLIPS ON MMD-T-1



MMA/D-T-Install • Subject to change without notice • REV 2019.06.07