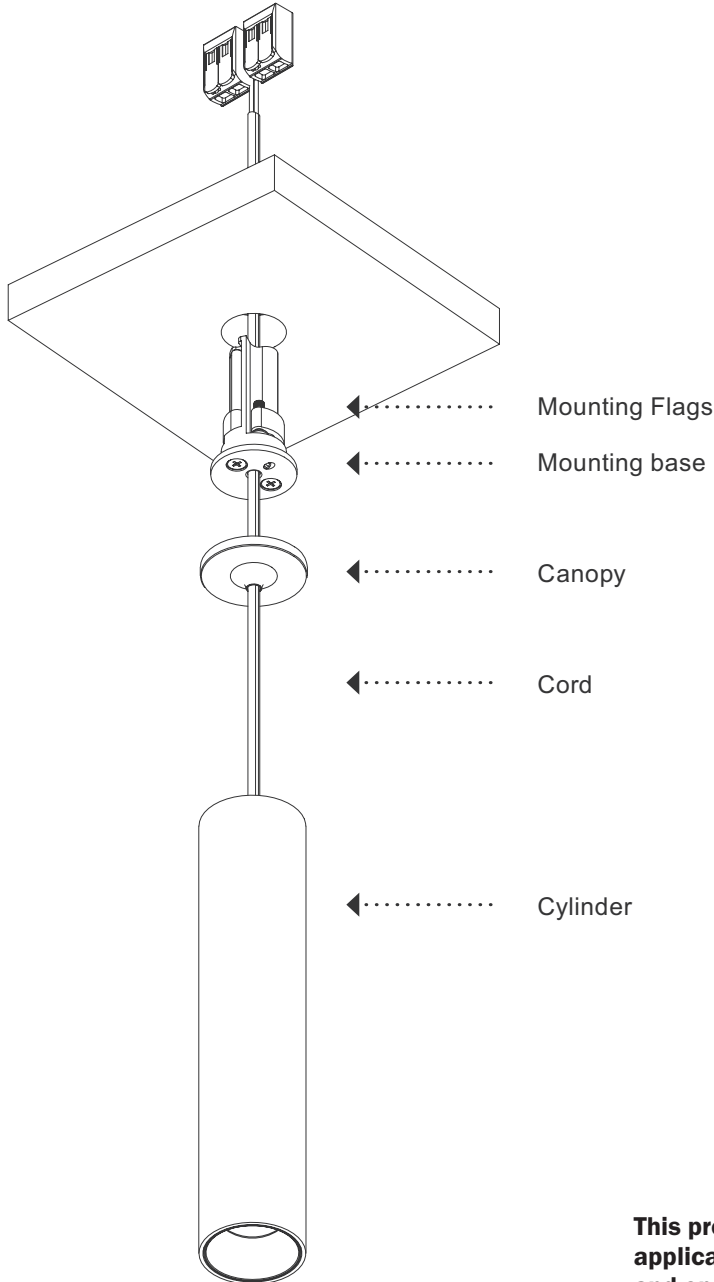


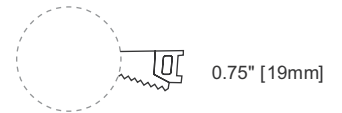
Install Guide

LED PIPE CYLINDER C1PR

LED PIPE™



CEILING CUTOUT DIMENSIONS



This product must be installed in accordance with the applicable code by a person familiar with the construction and operation of the product and the hazards involved. Read all of these instructions before installing.

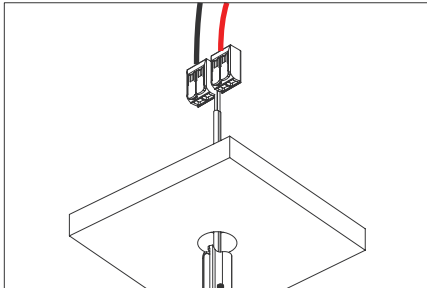
WARNING: Disconnect power prior to servicing or installing.

Led Pipe Cylinder-C1PR-Installation • Subject to change without notice • REV 2022.11.25

Install Guide

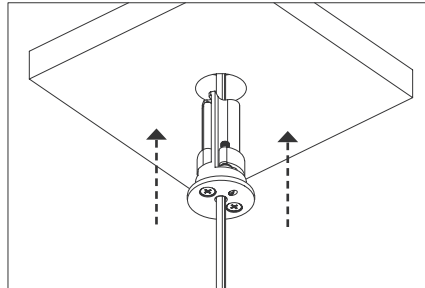
LED PIPE CYLINDER C1PR

LED PIPE™



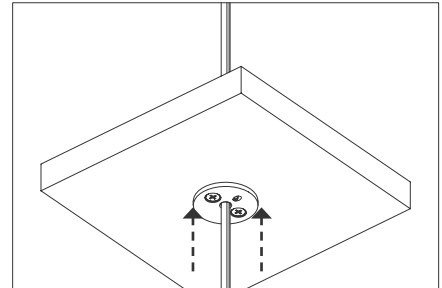
STEP 1

Drill 0.75" [19mm] hole in ceiling.
Connect driver leads to fixture leads.
Refer to "Wiring Instructions".



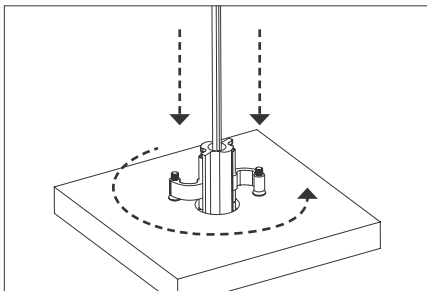
STEP 2

Fit mounting base through hole in the ceiling.



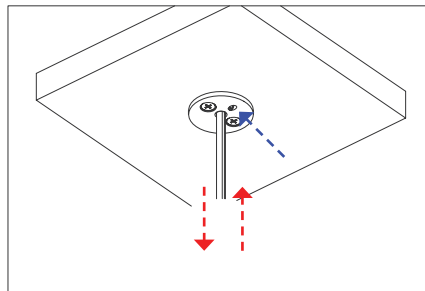
STEP 3

Fasten mounting base to the ceiling
with 2 screws provided.



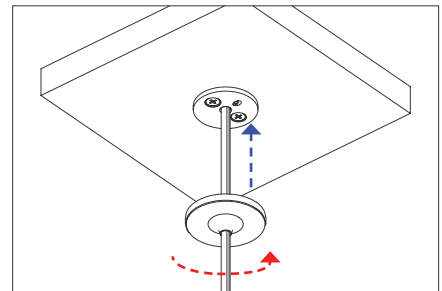
STEP 4

Mounting flags secure mounting base
to the ceiling. DO NOT OVERTIGHTEN.



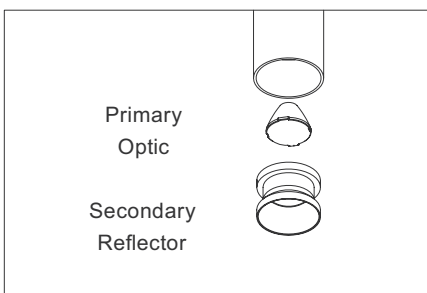
STEP 5

Release set screw. Adjust cable length
by pushing or pulling cable to desired
length. Re-tighten set screw to secure.
DO NOT OVERTIGHTEN.



STEP 6

Push the canopy to the mounting base
and thread it till it sits flush to the
ceiling.



REFLECTOR & OPTIC SERVICE

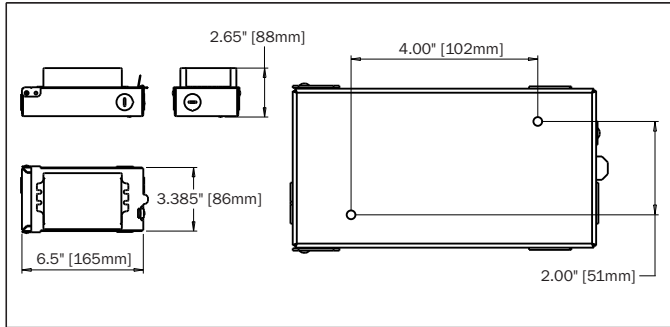
To service or change the optic, pull
the secondary reflector to release.

Led Pipe Cylinder-C1PR-Installation • Subject to change without notice • REV 2022.11.25

Install Guide

LED PIPE CYLINDER C1PR

LED PIPE™



This product must be installed in accordance with the applicable code by a person familiar with the construction and operation of the product and the hazards involved. Read all of these instructions before installing.

WARNING: Rated for non-insulated ceilings only (non IC rated)

STEP 7

Mounting dim's for remote driver case. Mounting holes on bottom of case opposite to driver.

REMOTE DRIVER COMPATABILITY

Trim	Driver Type	Series	CH.	Config.	Dimming Type ^{1,2}	Min Load Units	Max Load Units
C1P	DTM	700	1	A	LE	3	6
					LH	4	7
					P	3	16
					P1	1	12
					S	6	9
				B	LE	6	12
					LH	8	12
					S	8	12

Maximum remote mounting distance (Wire length).

1 LE, LH : 100' using 12 AWG, 50' using 14 AWG.

2 P, P1, S : 100' using 14 AWG, 50' using 16 AWG.