

LED PIPE

C3W | Integral Driver

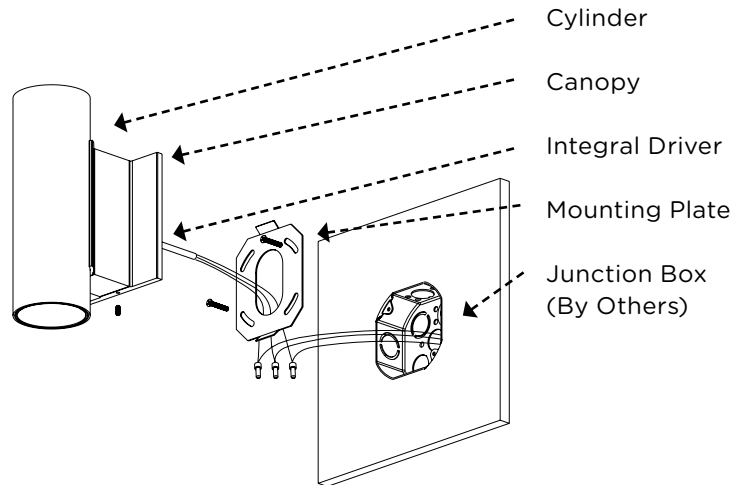
Cylinder Installation Instructions

WARNING

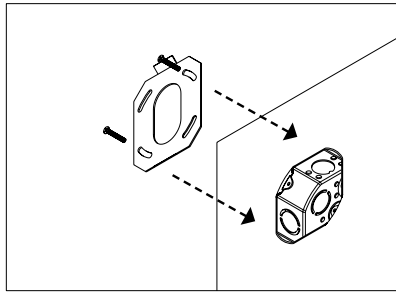
This product must be installed in accordance with the applicable code by a person familiar with the construction and operation of the product and the hazards involved.

Risk of Fire or Electric Shock. Serious injury or death may occur. **TURN OFF POWER** prior to servicing or installing this product.

CYLINDER ASSEMBLY

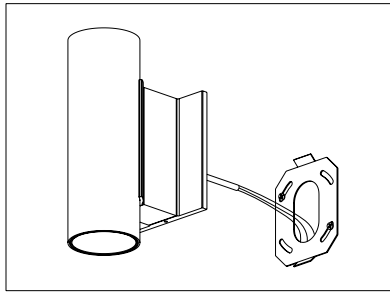


STEP 1



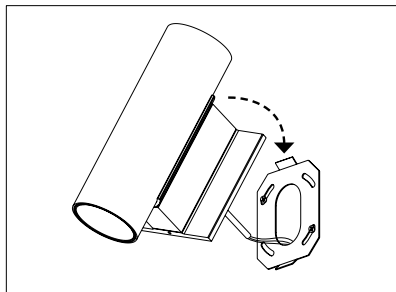
Fasten mounting plate to junction box (by others) with supplied fasteners.

STEP 2



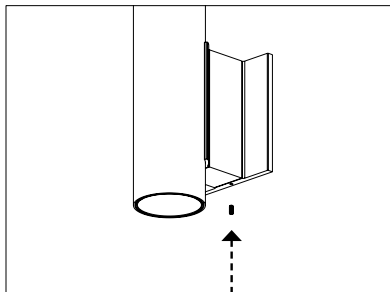
Connect driver leads to supply voltage. Ensure the correct voltage is selected. Refer to "Wiring Instructions" document.

STEP 3



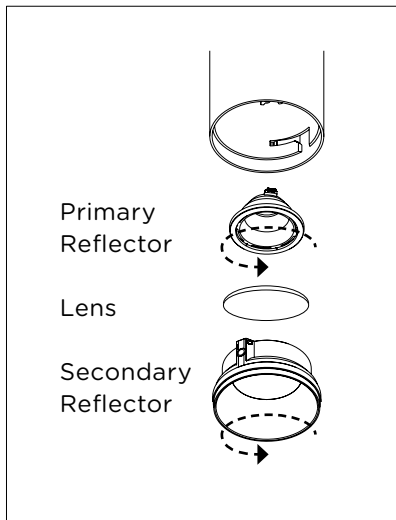
Attach cylinder and canopy to rest on the top tab of the mounting plate.

STEP 4



Fasten canopy to bottom tab of the mounting plate with the set screw.

REFLECTOR + LENS SERVICE



To service or change the reflector and lens, rotate the secondary reflector 45° counter clockwise to release. Then rotate the primary reflector 45° counter clockwise to release.

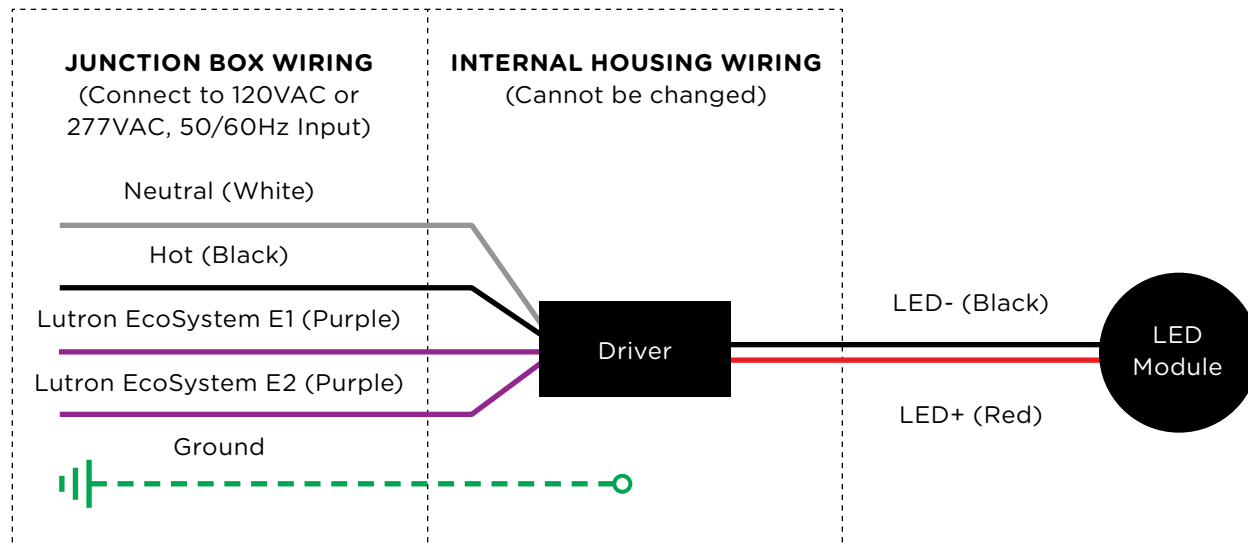
Wiring Instructions

WARNING

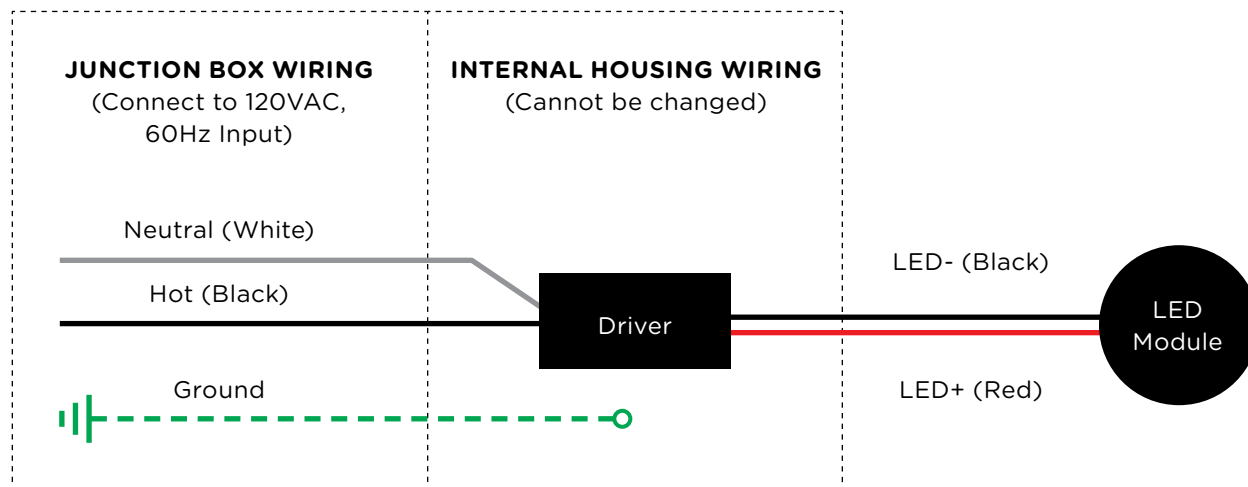
TURN OFF POWER before connecting LED product. Failure to do so will cause **IMMEDIATE LED FAILURE**.

This product must be installed in accordance with the applicable code by a person familiar with the construction and operation of the product and the hazards involved.

LUTRON ECOSYSTEM (LH) DIMMING



LUTRON PHASE (LE) DIMMING



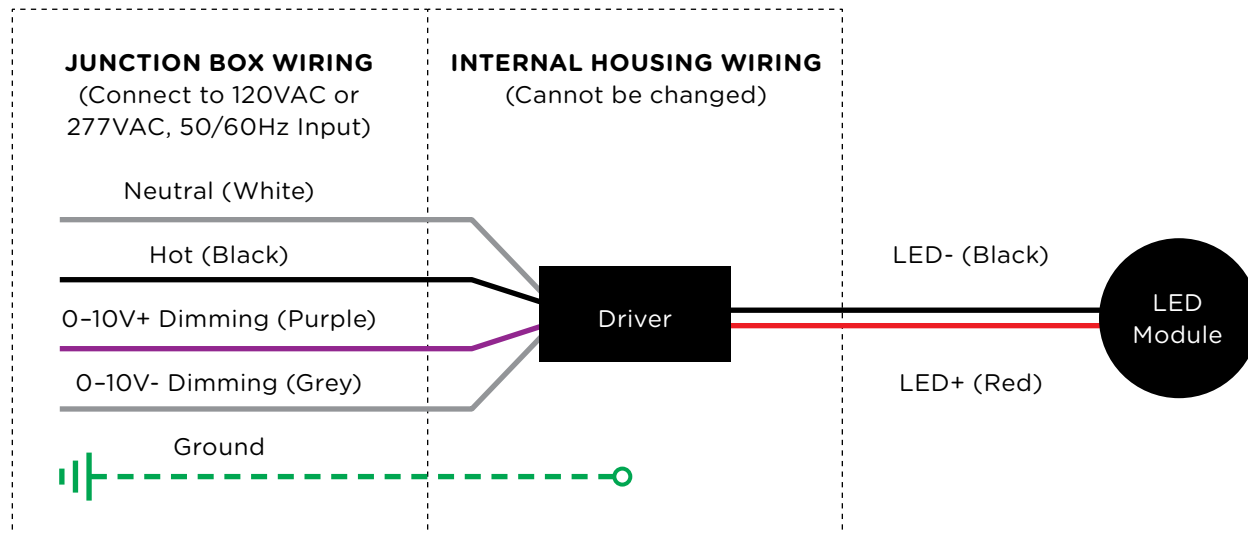
Wiring Instructions

WARNING

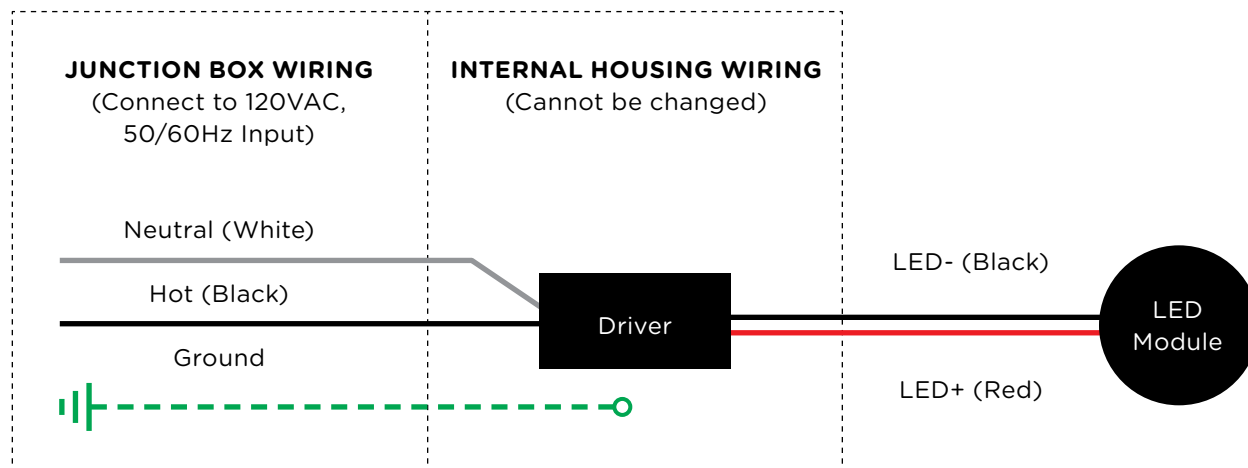
TURN OFF POWER before connecting LED product. Failure to do so will cause **IMMEDIATE LED FAILURE**.

This product must be installed in accordance with the applicable code by a person familiar with the construction and operation of the product and the hazards involved.

0-10V (P) & 0-10V (P1) DIMMING



PHASE (S) DIMMING



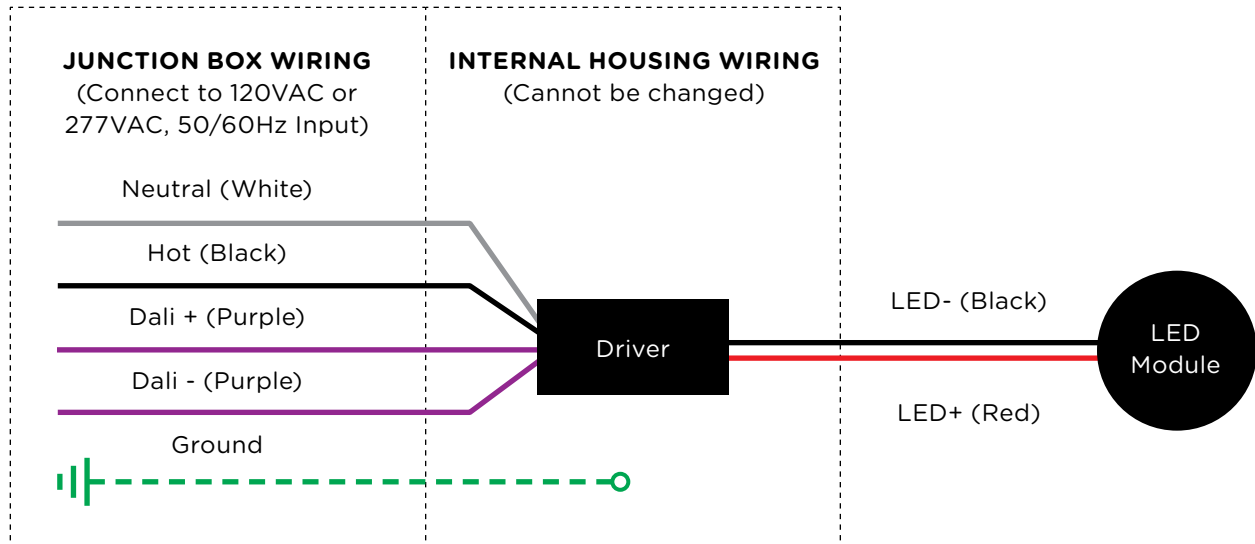
Wiring Instructions

WARNING

TURN OFF POWER before connecting LED product. Failure to do so will cause **IMMEDIATE LED FAILURE**.

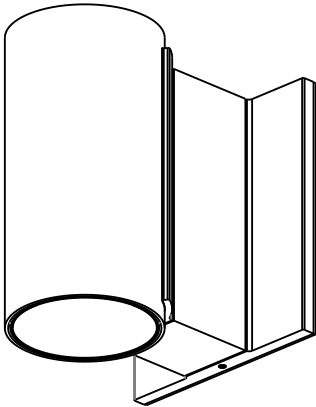
This product must be installed in accordance with the applicable code by a person familiar with the construction and operation of the product and the hazards involved.

DALI (D) DIMMING



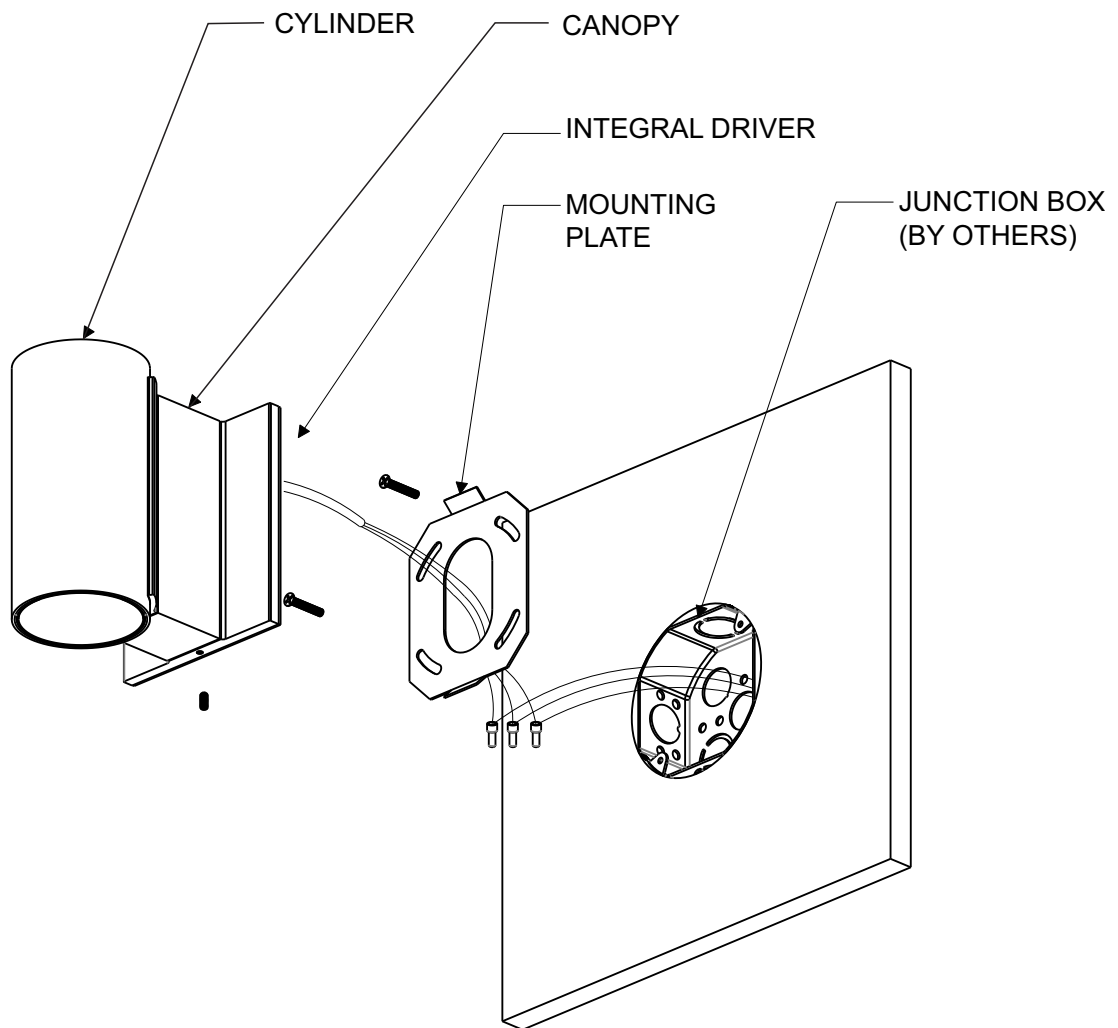
Install Guide

C3WRWxD WALL MOUNT CYLINDER WET LOCATION



This product must be installed in accordance with the applicable code by a person familiar with the construction and operation of the product and the hazards involved. Read all of these instructions before installing.

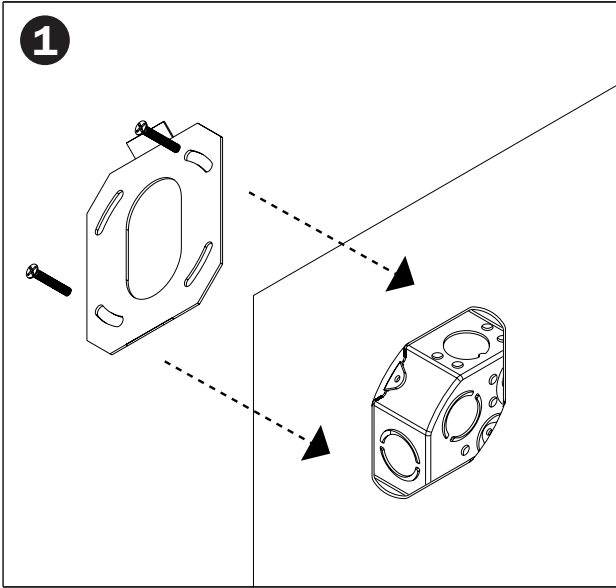
WARNING: Disconnect power prior to servicing or installing.



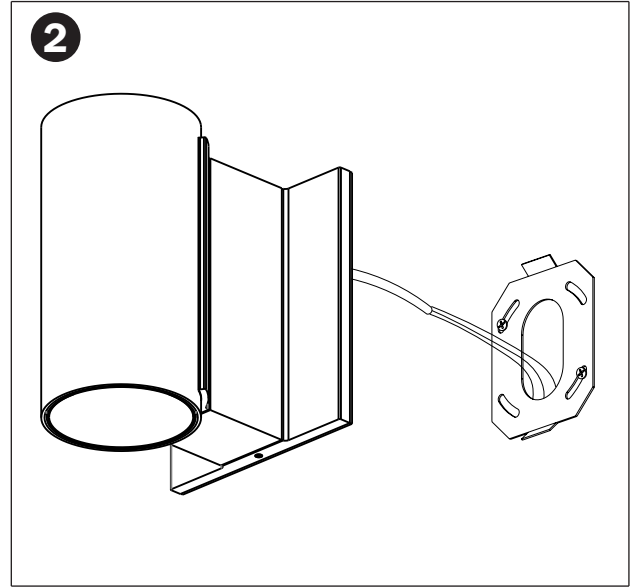
C3WRW-D-Installation • Subject to change without notice • REV 2021.04.30

Install Guide

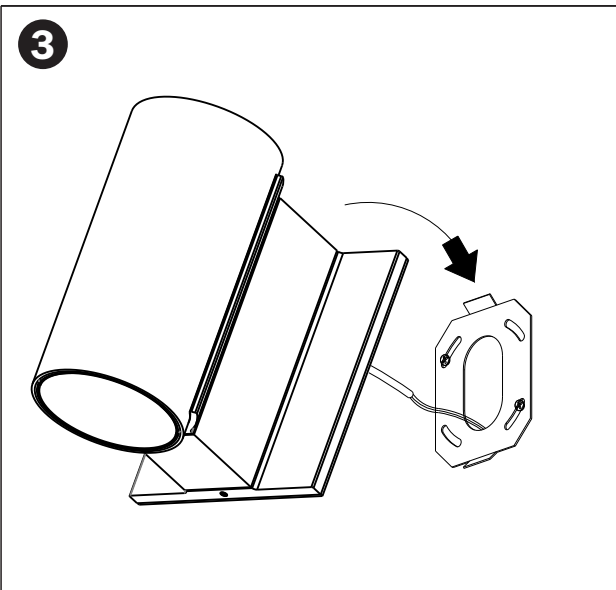
C3WRWxD WALL MOUNT CYLINDER WET LOCATION



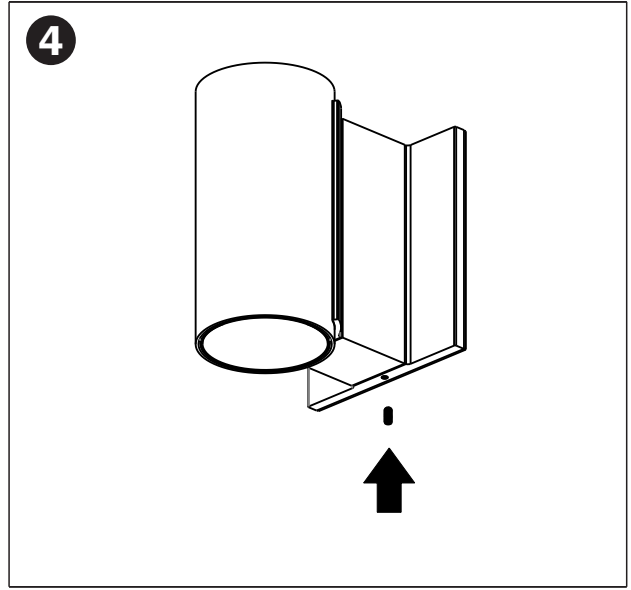
1
Fasten mounting plate to junction box (by others) with supplied fasteners.



2
Make supply connections. Check with wiring diagrams.



3
Attach cylinder and canopy to rest on the top tab of the mounting plate.



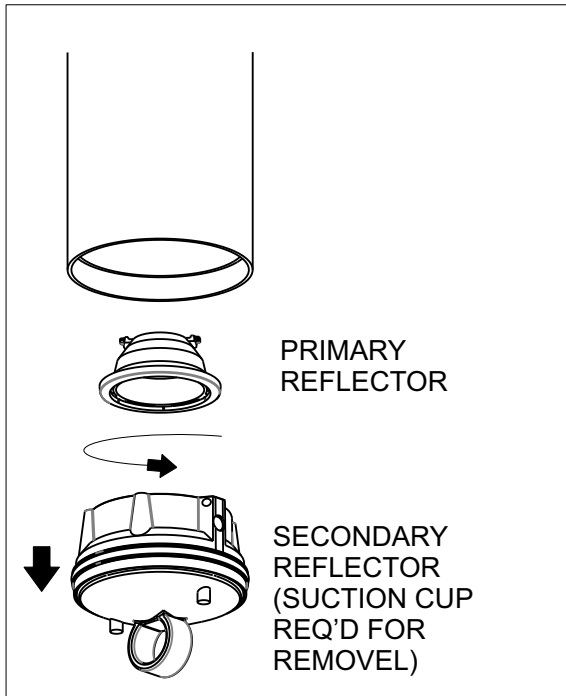
4
Fasten canopy to bottom tab of the mounting plate with the set screw.

C3WRW-D-Installation • Subject to change without notice • REV 2021.04.30

Install Guide

C3WRWxD WALL MOUNT CYLINDER WET LOCATION

REFLECTOR SERVICE



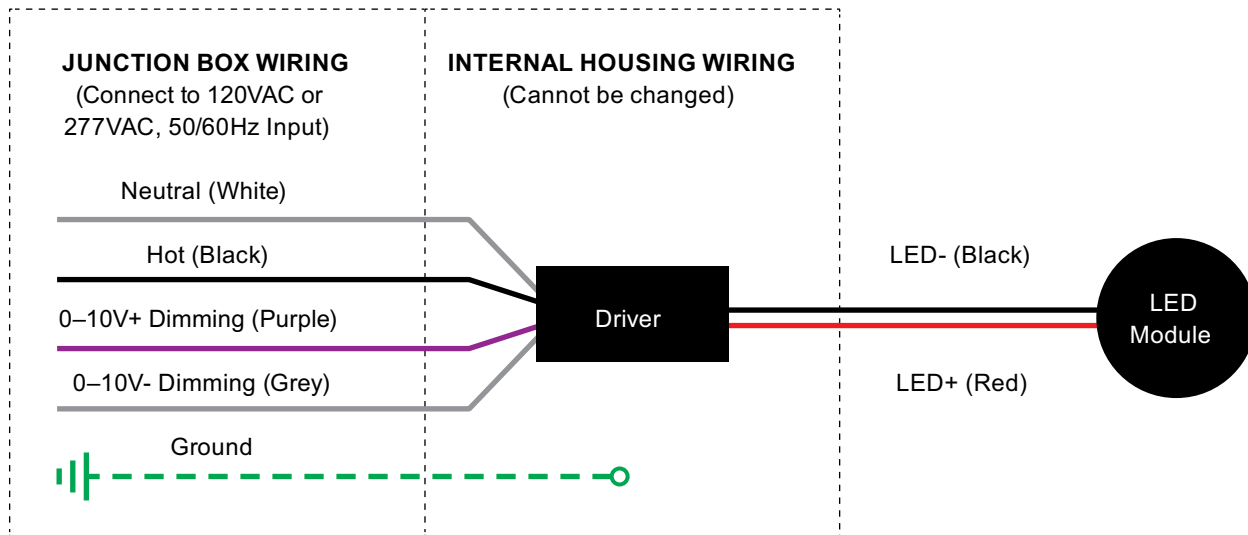
To service or change the reflector. Press suction cup onto glass and pull. Hold onto cylinder while pulling if possible. Contact factory for suction cup procurement. Rotate the primary reflector 45° counter clockwise to release.

WARNING

TURN OFF POWER before connecting LED product. Failure to do so will cause **IMMEDIATE LED FAILURE**.

This product must be installed in accordance with the applicable code by a person familiar with the construction and operation of the product and the hazards involved.

0-10V (P) & 0-10V (P1) DIMMING



C3WRW-D-Installation • Subject to change without notice • REV 2021.04.30

Install Guide

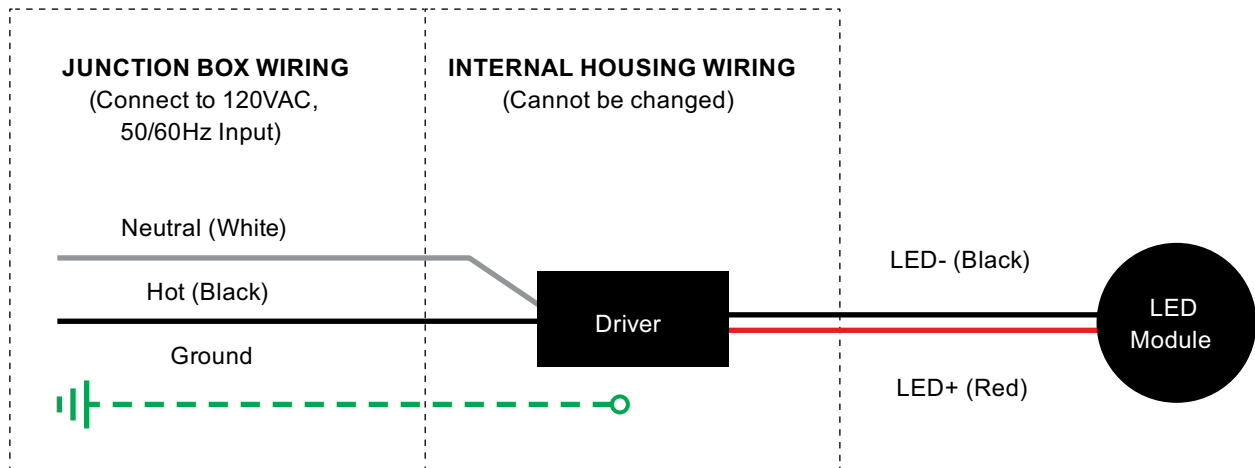
C3WRWxD WALL MOUNT CYLINDER WET LOCATION

WARNING

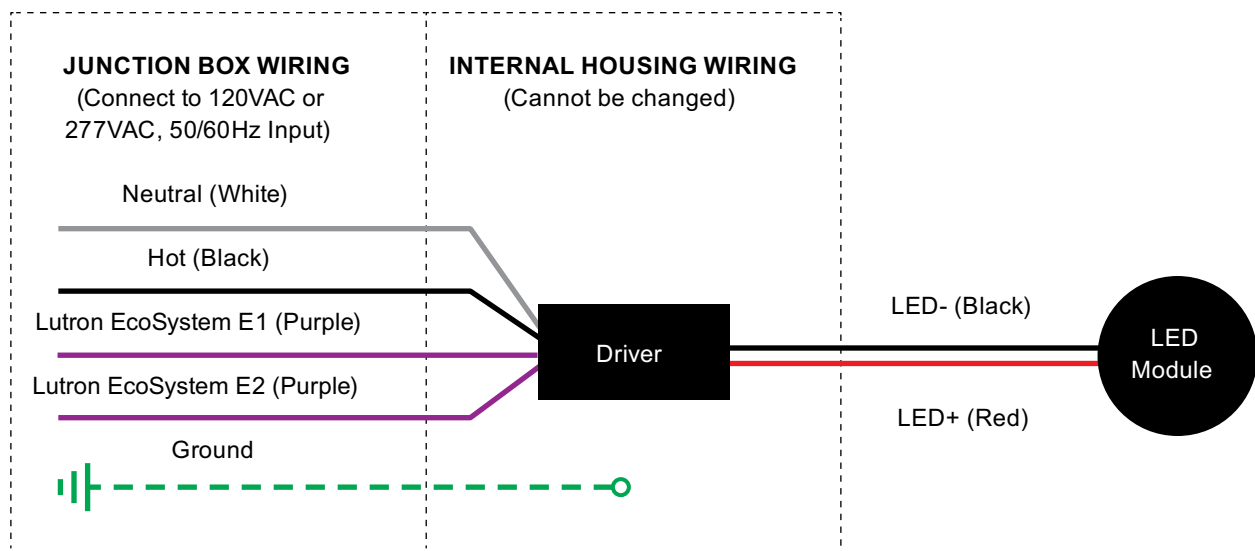
TURN OFF POWER before connecting LED product. Failure to do so will cause **IMMEDIATE LED FAILURE**.

This product must be installed in accordance with the applicable code by a person familiar with the construction and operation of the product and the hazards involved.

PHASE (S) DIMMING



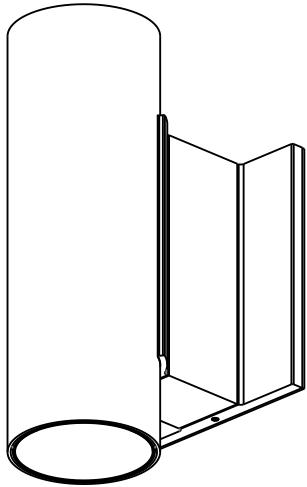
LUTRON ECOSYSTEM (LH) DIMMING



C3WRW-D-Installation • Subject to change without notice • REV 2021.04.30

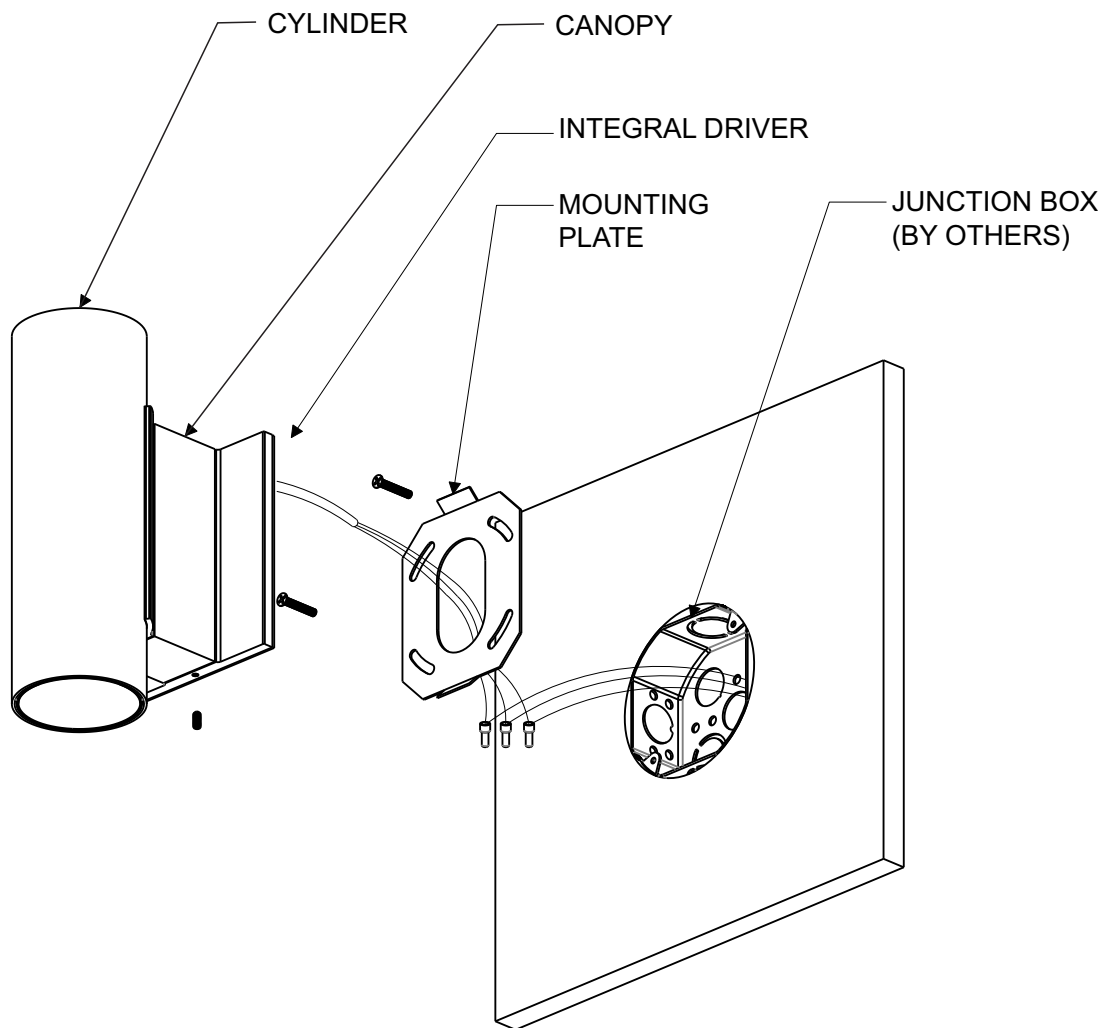
Install Guide

C3WRWxUD WALL MOUNT CYLINDER UP/DOWN WET LOCATION



This product must be installed in accordance with the applicable code by a person familiar with the construction and operation of the product and the hazards involved. Read all of these instructions before installing.

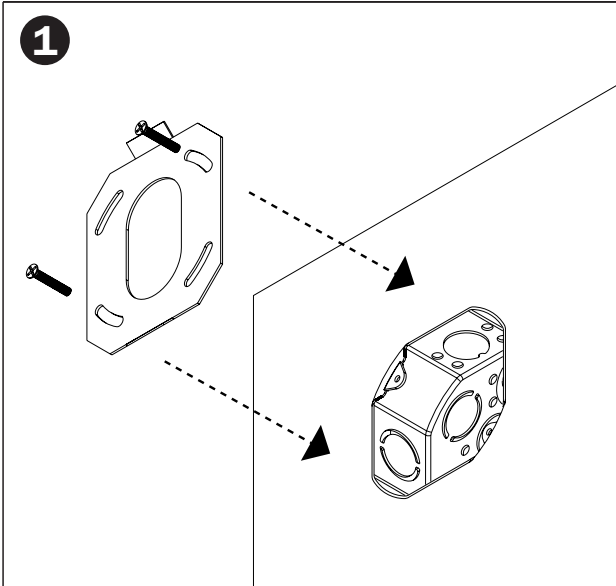
WARNING: Disconnect power prior to servicing or installing.



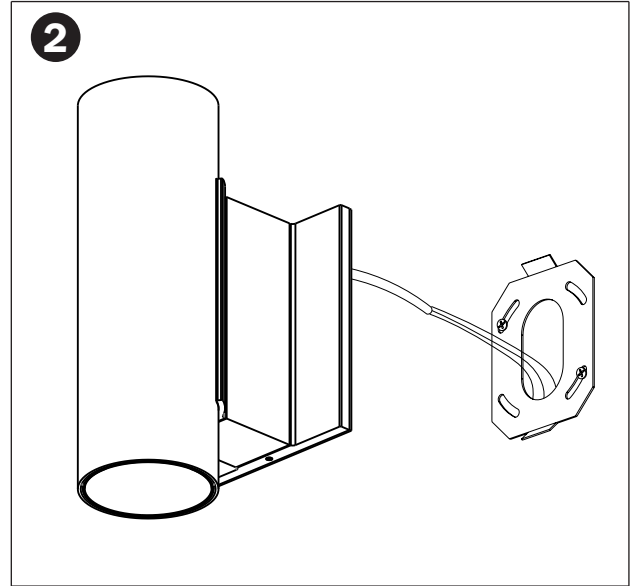
C3WRW-UD-installation • Subject to change without notice • REV 2021.04.30

Install Guide

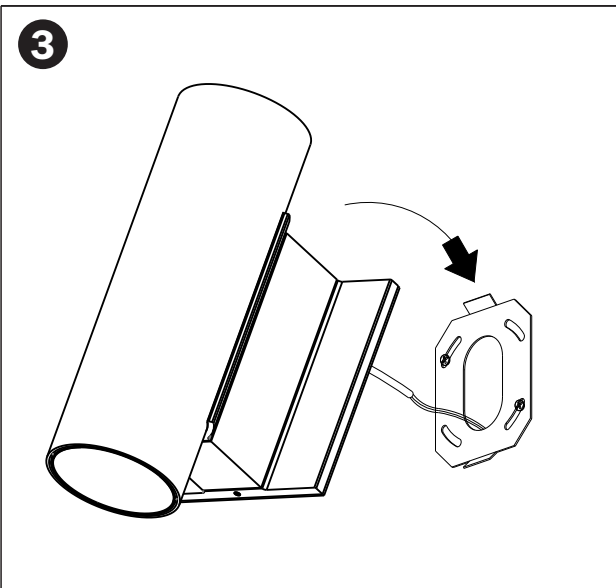
C3WRWxUD WALL MOUNT CYLINDER UP/DOWN WET LOCATION



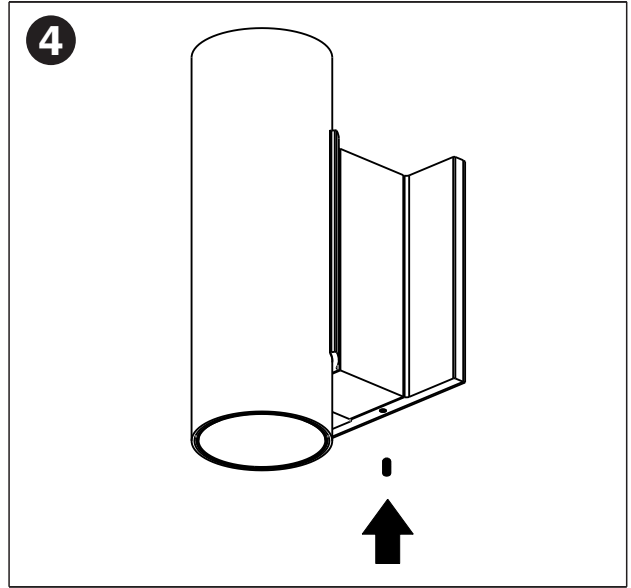
1
Fasten mounting plate to junction box (by others) with supplied fasteners.



2
Make supply connections. Check with wiring diagrams.



3
Attach cylinder and canopy to rest on the top tab of the mounting plate.



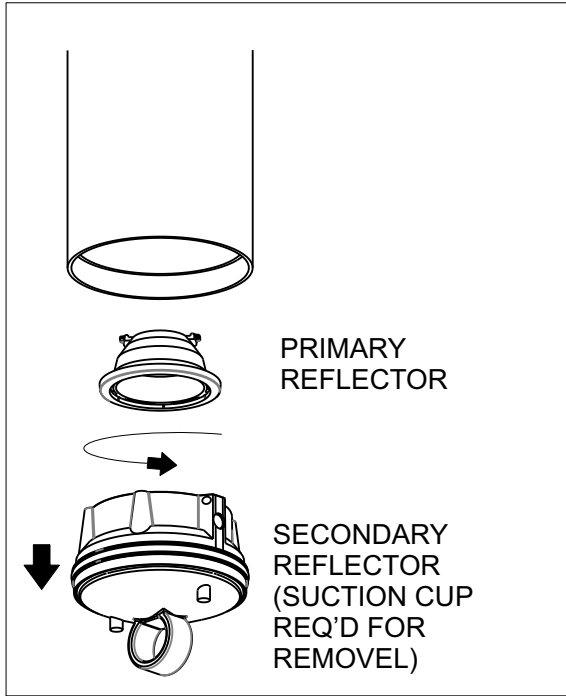
4
Fasten canopy to bottom tab of the mounting plate with the set screw.

C3WRW-UD-installation • Subject to change without notice • REV 2021.04.30

Install Guide

REFLECTOR SERVICE

C3WRWxUD WALL MOUNT CYLINDER UP/DOWN WET LOCATION



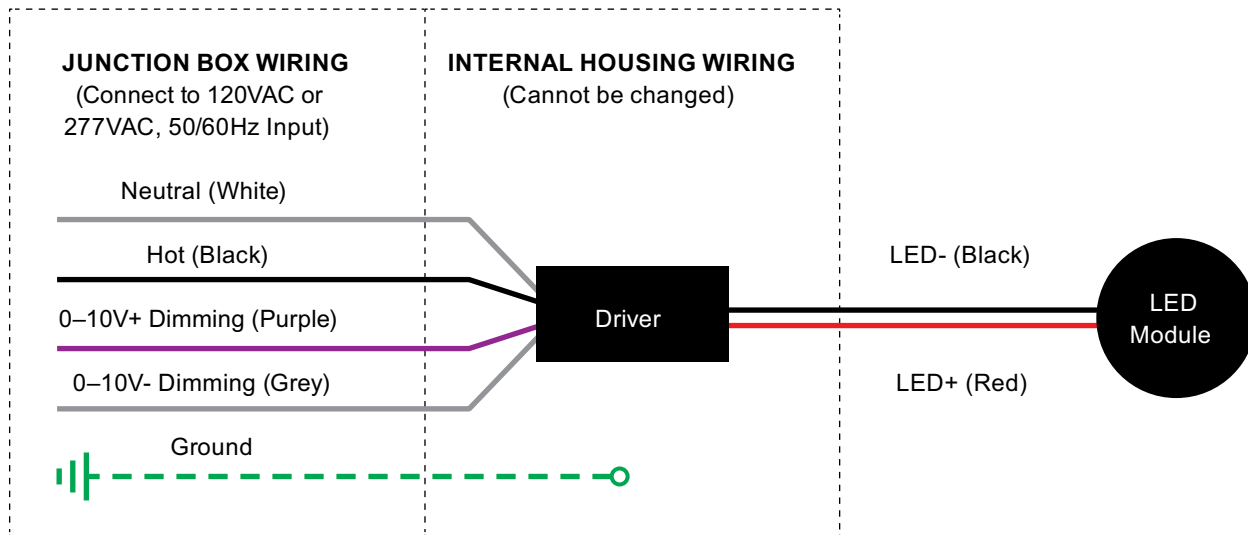
To service or change the reflector. Press suction cup onto glass and pull. Hold onto cylinder while pulling if possible. Contact factory for suction cup procurement. Rotate the primary reflector 45° counter clockwise to release.

WARNING

TURN OFF POWER before connecting LED product. Failure to do so will cause **IMMEDIATE LED FAILURE**.

This product must be installed in accordance with the applicable code by a person familiar with the construction and operation of the product and the hazards involved.

0-10V (P) & 0-10V (P1) DIMMING



C3WRW-UD-installation • Subject to change without notice • REV 2021.04.30

Install Guide

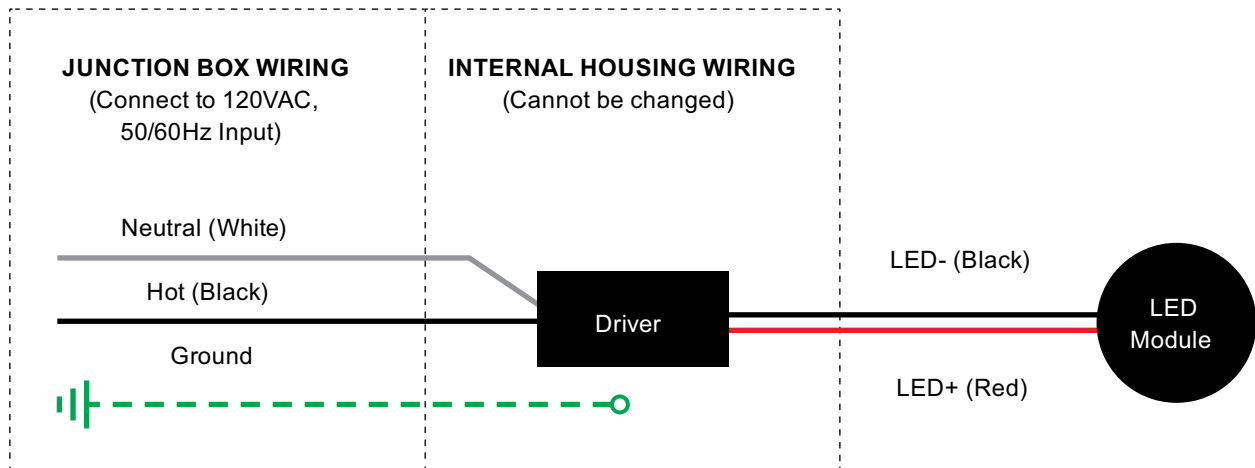
C3WRWxUD WALL MOUNT CYLINDER UP/DOWN WET LOCATION

WARNING

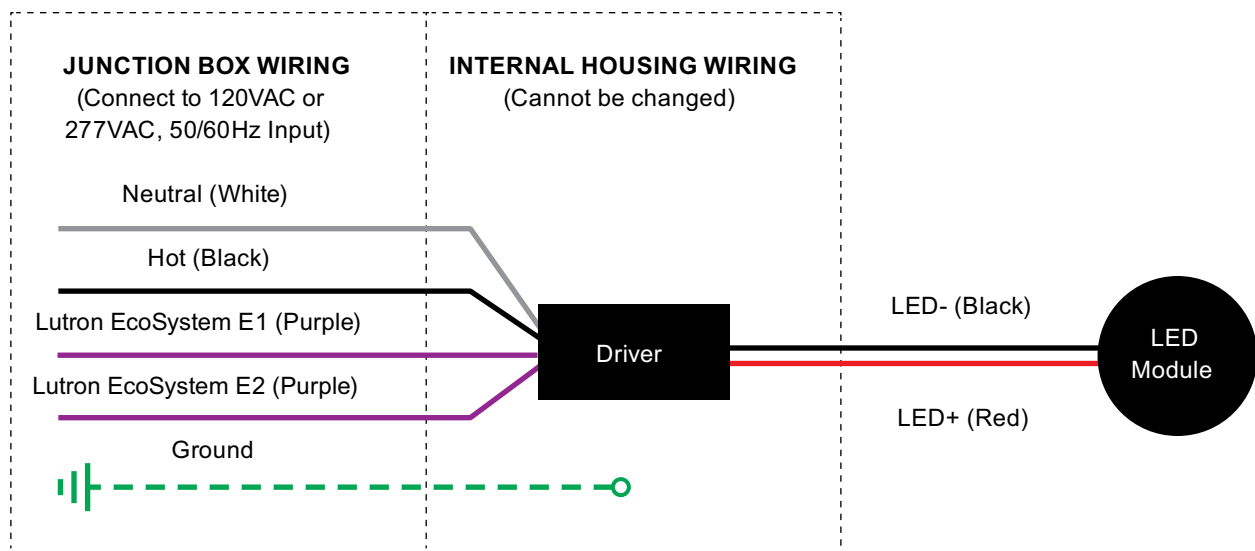
TURN OFF POWER before connecting LED product. Failure to do so will cause **IMMEDIATE LED FAILURE**.

This product must be installed in accordance with the applicable code by a person familiar with the construction and operation of the product and the hazards involved.

PHASE (S) DIMMING



LUTRON ECOSYSTEM (LH) DIMMING



C3WRW-UD-installation • Subject to change without notice • REV 2021.04.30