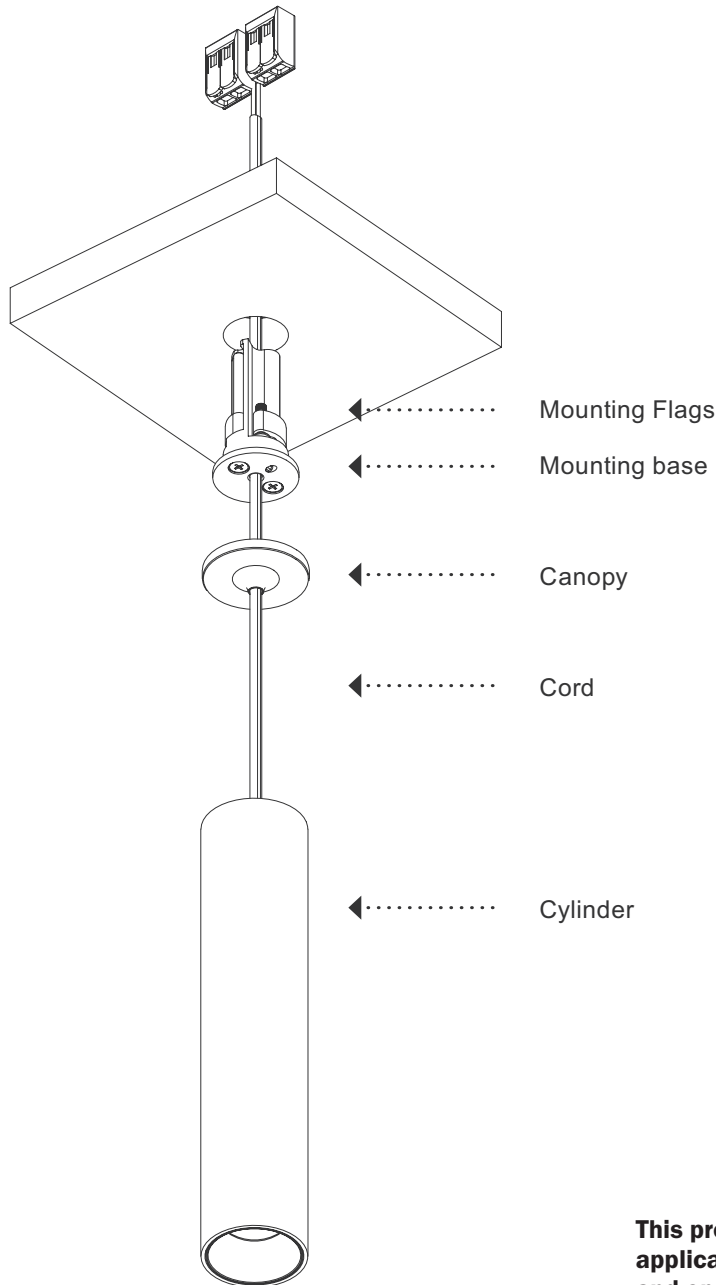
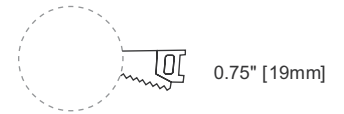


Install Guide

C1P REMOTE DRIVER INSTALL



CEILING CUTOUT DIMENSIONS



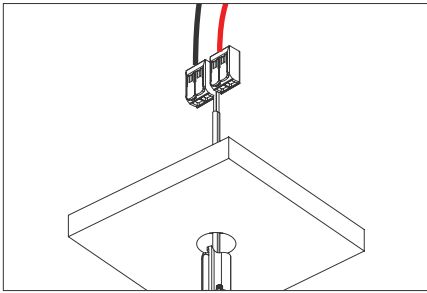
This product must be installed in accordance with the applicable code by a person familiar with the construction and operation of the product and the hazards involved. Read all of these instructions before installing.

WARNING: Disconnect power prior to servicing or installing.

C1P-Remote-Driver-Install • Subject to change without notice • REV 2021.05.05

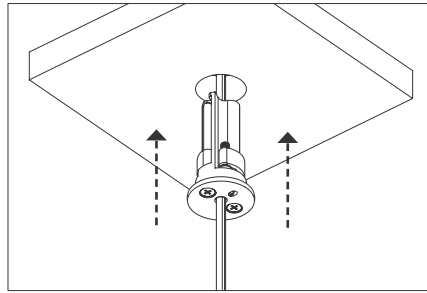
Install Guide

C1P REMOTE DRIVER INSTALL



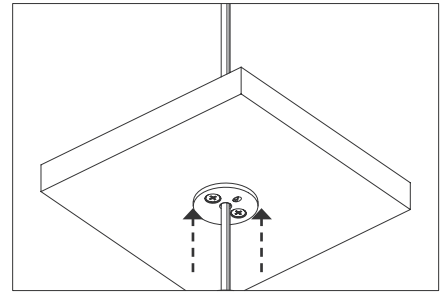
STEP 1

Drill 0.75" [19mm] hole in ceiling.
Connect driver leads to fixture leads.
Refer to "Wiring Instructions".



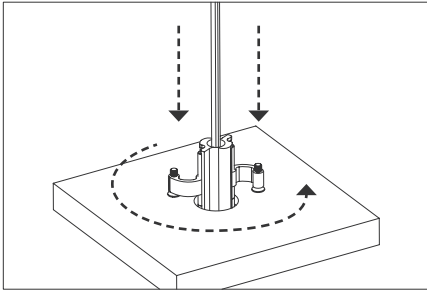
STEP 2

Fit mounting base through hole in the ceiling.



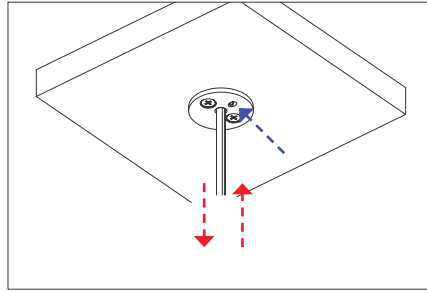
STEP 3

Fasten mounting base to the ceiling with 2 screws provided.



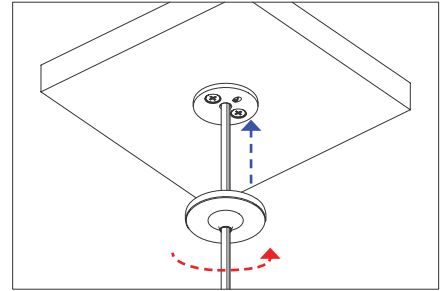
STEP 4

Mounting flags secure mounting base to the ceiling. DO NOT OVERTIGHTEN.



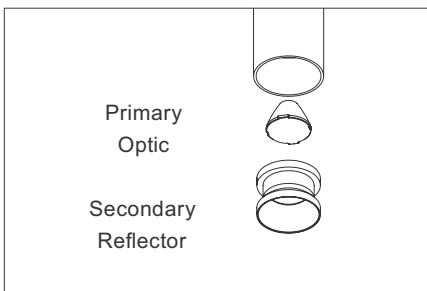
STEP 5

Release set screw. Adjust cable length by pushing or pulling cable to desired length. Re-tighten set screw to secure. DO NOT OVERTIGHTEN.



STEP 6

Push the canopy to the mounting base and thread it till it sits flush to the ceiling.



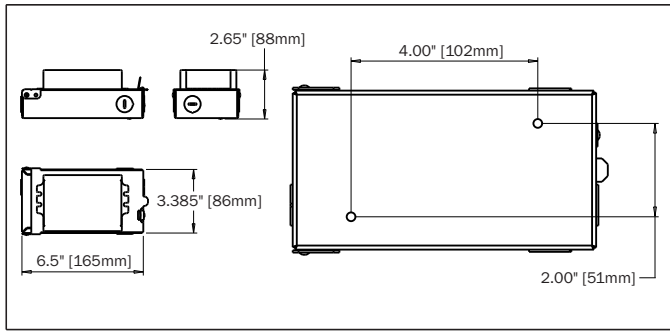
REFLECTOR & OPTIC SERVICE

To service or change the optic, pull the secondary reflector to release.

C1P-Remote-Driver-Install • Subject to change without notice • REV 2021.05.05

Install Guide

C1P REMOTE DRIVER INSTALL



STEP 7

Mounting dim's for remote driver case. Mounting holes on bottom of case opposite to driver.

This product must be installed in accordance with the applicable code by a person familiar with the construction and operation of the product and the hazards involved. Read all of these instructions before installing.

WARNING: Rated for non-insulated ceilings only (non IC rated)

Cylinder mounting: 1-6
Remote driver mounting: 7

REMOTE DRIVER COMPATABILITY

Trim	Driver Type	Series	CH.	Config.	Dimming Type ^{1,2}	Min Load Units	Max Load Units
C1P	DTM	700	1	A	LE	3	6
					LH	4	7
					P	3	16
					P1	1	12
				B	S	6	9
					LE	6	12
					LH	8	12
S	8	12					

Maximum remote mounting distance (Wire length).

1 LE, LH : 100' using 12 AWG, 50' using 14 AWG.

2 P, P1, S : 100' using 14 AWG, 50' using 16 AWG.

Install Guide

C1P

REMOTE DRIVER INSTALL

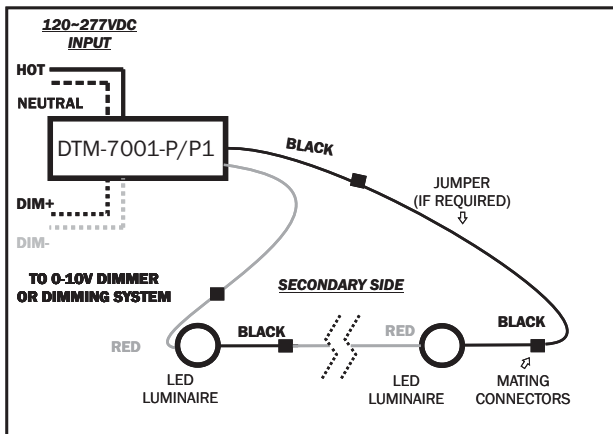
Caution: Ensure Driver is switched **OFF** before connecting LED. Failure to do so will cause **IMMEDIATE LED FAILURE**.

CAUTION TO INSTALLER: This LED device is polarity sensitive and must be wired in series. Mating connectors can only be wired in series, factory made jumper with connectors available if necessary.

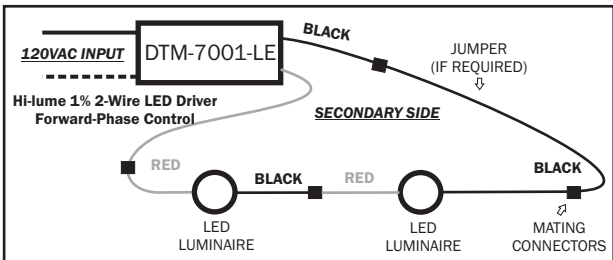
Wiring must be connected as noted in diagrams below. Failure to follow instruction provided will result in damage to luminaire.

- ◆ Rated for non-insulated ceilings only
- ◆ Certified as stand alone luminaire
- ◆ For use with approved LED Drivers, refer to LED driver specification sheets for compatibility and dimming

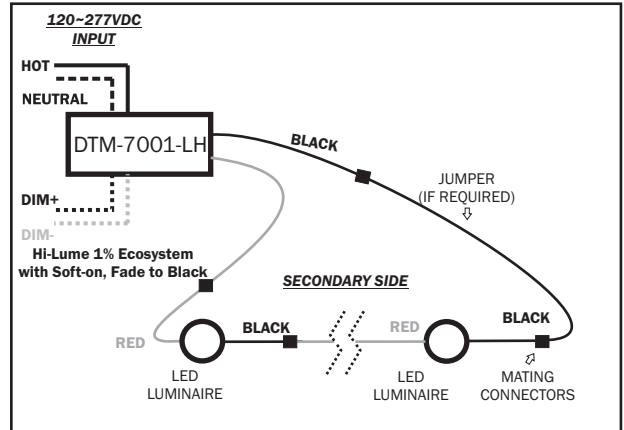
DTM-7001-A/B-P/P1-120/277
SEE TABLE FOR MIN./MAX. LOAD



DTM-7001-A/B-LE-120
SEE TABLE FOR MIN./MAX. LOAD



DTM-7001-A/B-LH-120/277
SEE TABLE FOR MIN./MAX. LOAD



DTM-7001-A/B-S-120/277
SEE TABLE FOR MIN./MAX. LOAD

