

Contortionist™

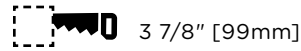
L4X-F-S | Premium LED

Square Non-Insulated

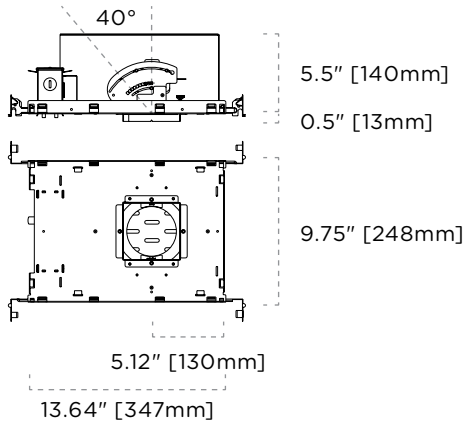
FEATURES

- Rated for non insulated ceilings to a max ambient temperature of 45°C (113°F)
- Fixed and adjustable recessed housings
- Hot Aiming and locking capabilities (adjustable housing)
- 40° tilt with minimal light loss (adjustable housing)
- 360° rotation (adjustable housing)
- Bi-directional mounting
- 14"-25" adjustable hanger bars
- 18 Ga. galvanized steel junction box with multiple KO
- 20 Ga. black powder coated steel baseplate

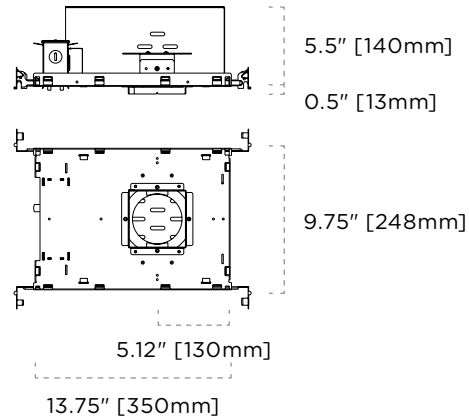
CEILING CUTOUT



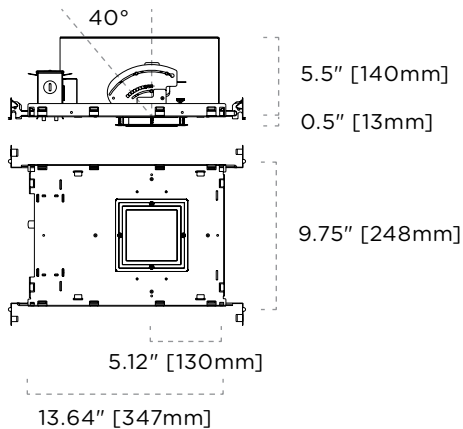
DIMENSIONS—TRIMMED ADJUSTABLE



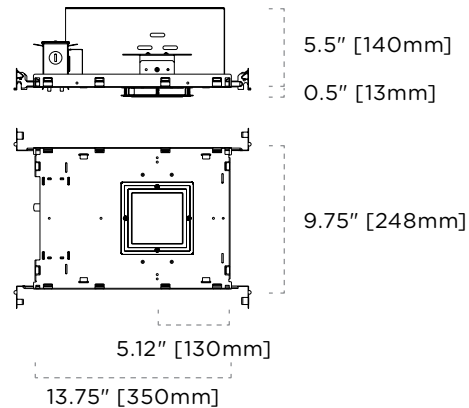
DIMENSIONS—TRIMMED FIXED



DIMENSIONS—TRIMLESS ADJUSTABLE



DIMENSIONS—TRIMLESS FIXED



Contortionist™

L4X-F-S | Premium LED

Square Non-Insulated



TAG TYPE

--	--	--	--	--	--	--

ORDER FORM

1	2	3	4	5	6	7

1. HOUSING

L4X-F Non-Insulated

2. TRIM TYPE¹

SA Square Adjustable

SF Square Fixed

3. FLANGE TYPE

T Trimmed

TL Trimless

4. SERIES

3 1000lm Max.

5 1500lm Max.

7 2000lm Max.

5. DIMMING

D DALI (1%)

LE Lutron Phase (1%)¹

LH Lutron EcoSystem (1%)

P 0-10V Dimming (1%)

P1 eldoLED Dimming (1%)

S Phase Dimming (5%)²

6. VOLTAGE

120 120V

277 277V

347 347V³

7. OPTIONS

BP Black Painted Interior

WP White Painted Interior

NOTES

1 Refer to trim specification sheets for compatible trim types.

2 LE dimming is only available with 120V.

3 S dimming with 277V is non-dimmable.

4 347V is only available with P dimming