

Contortionist™

L4B-CP-S | Standard LED

Square Chicago Plenum

FEATURES

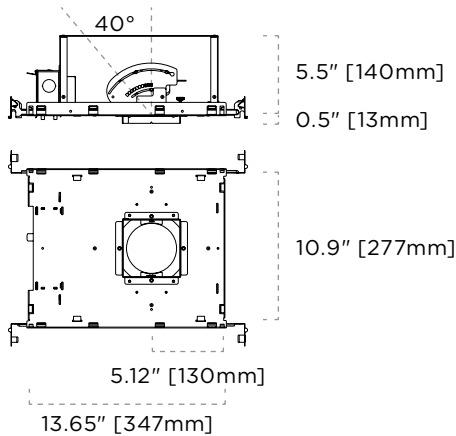
- Rated for non insulated ceilings to a max ambient temperature of 45°C (113°F)
- In accordance with CCEA (City of Chicago Environmental Air), Chicago electrical code section 18-27-300.22©
- Fixed and adjustable recessed housings
- Hot Aiming and locking capabilities (adjustable housing)
- 40° tilt with minimal light loss (adjustable housing)
- 360° rotation (adjustable housing)
- Bi-directional mounting
- 14"-25" adjustable hanger bars
- 18 Ga. galvanized steel junction box with multiple KO
- 20 Ga. black powder coated steel baseplate

LISTINGS

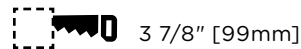


CCEA
Approved

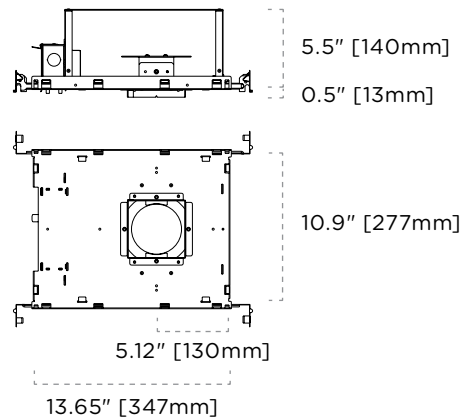
DIMENSIONS—TRIMMED ADJUSTABLE



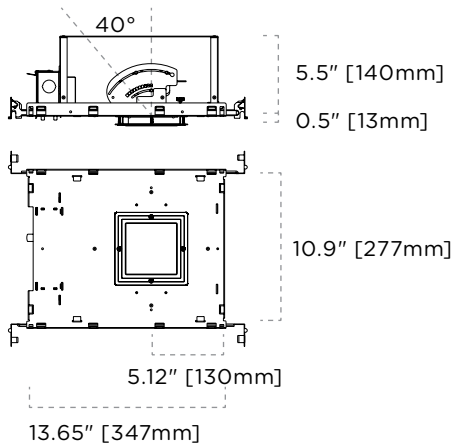
CEILING CUTOUT



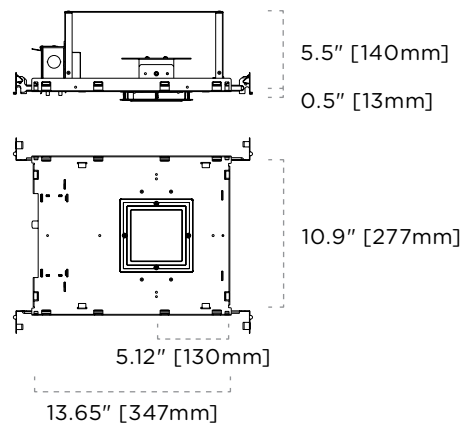
DIMENSIONS—TRIMMED FIXED



DIMENSIONS—TRIMLESS ADJUSTABLE



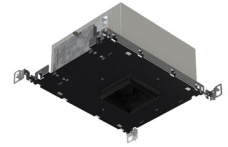
DIMENSIONS—TRIMLESS FIXED



Contortionist™

L4B-CP-S | Standard LED

Square Chicago Plenum



TAG TYPE



ORDER FORM

1	2	3	4	5	6	7

1. HOUSING

L4B-CP Chicago Plenum

2. TRIM TYPE ¹

SA Square Adjustable

SF Square Fixed

3. FLANGE TYPE

T Trimmed

TL Trimless

4. SERIES

3 1000lm Max.

5 1800lm Max.

5. DIMMING

D DALI (1%)

LE Lutron Phase (1%) ¹

LH Lutron EcoSystem (1%)

P 0-10V Dimming (1%)

P1 eldoLED Dimming (1%)

S Phase Dimming (5%) ²

6. VOLTAGE

120 120V

277 277V

7. OPTIONS

BP Black Painted Interior

WP White Painted Interior

NOTES

1 Refer to trim specification sheets for compatible trim types.

2 LE dimming is only available in 120V.

3 S dimming is only available in 120V.

CERTIFICATIONS

