



Driver

DRB | Standard LED

Remodel Driver

FEATURES

- Rated for non insulated ceilings only
- 18 Ga. galvanized steel junction box
- Junction box allows for easy wire entry
- Approved for branch circuit wiring
- Thermal feedback protection
- Compatible with R4P housings
- Design allows for installation of very shallow plenums as low as 4 1/2"

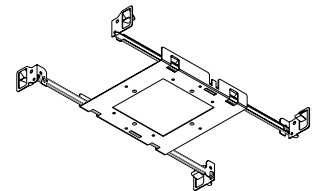
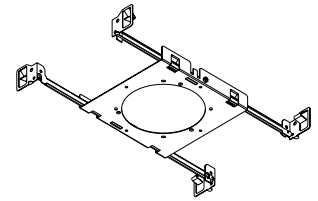
COMPATIBLE HOUSINGS - SPECIALIZED

R4P-F-R
Round Remodel Pan
3, 5, 7, 9 Series

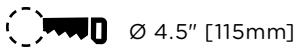
L 6 1/2" [166mm]
W 6 3/8" [162mm]
H 1" [26mm]

R4P-F-S
Square Remodel Pan
3, 5, 7, 9 Series

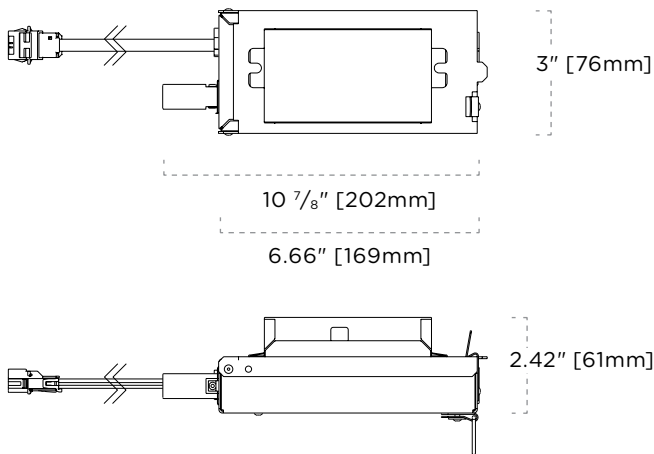
L 6 1/2" [166mm]
W 6 3/8" [162mm]
H 1" [26mm]



CEILING CUTOUT



DIMENSIONS



CERTIFICATIONS



Driver

DRB | Standard LED

Remodel Driver



TAG TYPE



ORDER FORM

1	2	3	4

1. DRIVER

DRB

2. SERIES

- 3** BRO 1000 Lumens Max
- 5** BRO 1800 Lumens Max
- 7** BRO 2300 Lumens Max
- 9** BRO 3000 Lumens Max

3. DIMMING

- D** DALI (1%)
- LE** Lutron Phase (1%)¹
- LH** Lutron EcoSystem (1%)
- P** 0-10V Dimming (1%)
- P1** eldoLED Dimming (1%)
- S** Phase Dimming (5%)¹

4. VOLTAGE

120

277

Notes

- 1** LE and S dimming is only available in 120 voltage.