

Legacy Housings

D4X-FEM-R | Premium LED

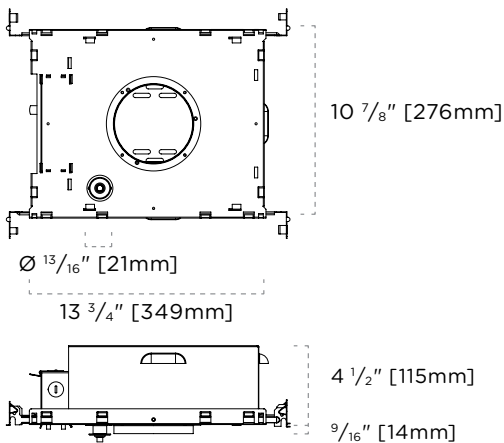
Round Non-Insulated Emergency

Proper illumination to exit a premises during a power failure is critical for safety. The Emergency Housing with integrated test button & driver with battery back provides up to 1000 initial lumens for 90 minutes.

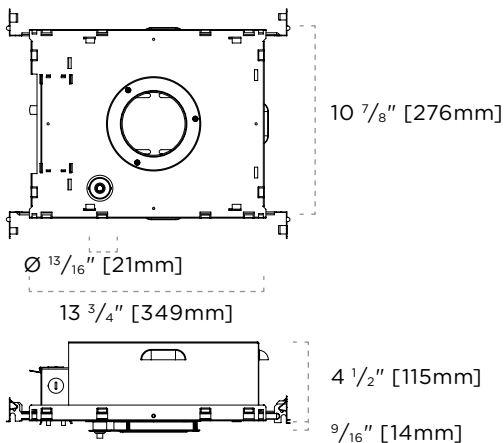
FEATURES

- Rated for non insulated ceilings to a max ambient temperature of 40°C (104°F)
- 6.4V DC LiFePO4 lithium iron phosphate backup battery
- 10W initial battery output while in emergency mode
- 12 hour battery recharge time
- 5 year battery life
- Bi-directional mounting
- 14"-25" adjustable hanger bars
- 18 Ga. galvanized steel junction box with multiple KO
- 20 Ga. black powder coated steel baseplate

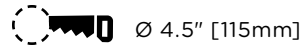
DIMENSIONS—TRIMMED + APERTURE COLLAR



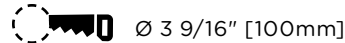
DIMENSIONS—TRIMLESS + APERTURE COLLAR



CEILING CUTOUT—TRIMMED & TRIMLESS



CEILING CUTOUT—WOOD TRIMLESS



PERFORMANCE SUMMARY

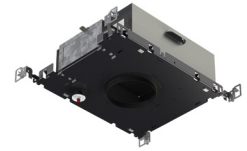
Color Rendering (CRI)	83	98
Battery Duration (Min)	90	
Lumen Series	3	
Source Lumens	1000	700
Initial Lumen Multiplier	1.0	
Lumen Series	5	
Source Lumens	1500	1000
Initial Lumen Multiplier	0.94	
Lumen Series	7	
Source Lumens	2000	1300
Initial Lumen Multiplier	0.7	
Lumen Series	9	
Source Lumens	2700	2100
Initial Lumen Multiplier	0.52	

CERTIFICATIONS



Legacy Housings

D4X-FEM-R | Premium LED



Round Non-Insulated Emergency

TAG TYPE

--

ORDER FORM

1	2	3	4	5	6

1. HOUSING

D4X-FEM-R

2. FLANGE TYPE¹

T Trimmed

TL Trimless²

3. SERIES

3 XTM 1000 Lumens Max

5 XTM 1500 Lumens Max

7 XTM 2000 Lumens Max

9 XTM 2700 Lumens Max

4. DIMMING

P 0-10V Dimming (1%)

5. VOLTAGE

120

277

6. OPTIONS

BP Black Painted Interior

WP White Painted Interior

NOTES

1 Ensure trim compatibility prior to housing order. Conditions may apply.

2 TL Is not available in 9 series.