

Legacy Housings

D4B-IC1A-R | Standard LED

Round Insulated Airtight Type 1

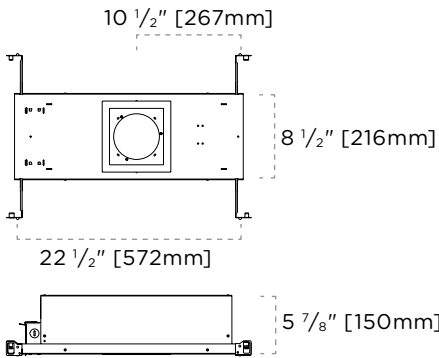
FEATURES

- Rated for insulation contact
- Airtight in accordance with ASTM E283
- Maximum ambient temperature of 40°C (104°F)
- 5 junction box knock outs
- Bi-directional mounting
- 14"-25" adjustable hanger bars
- 18 Ga. galvanized steel junction box with multiple KO
- 20 Ga. black powder coated steel baseplate

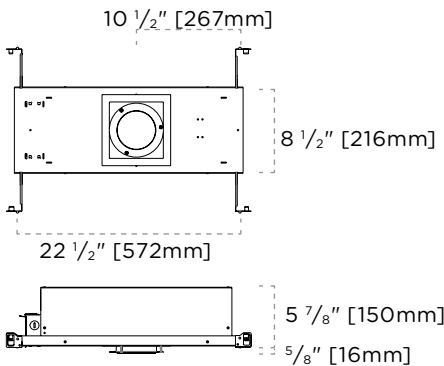
LISTINGS



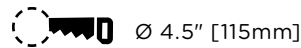
DIMENSIONS—TRIMMED



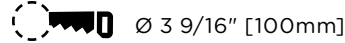
DIMENSIONS—TRIMLESS



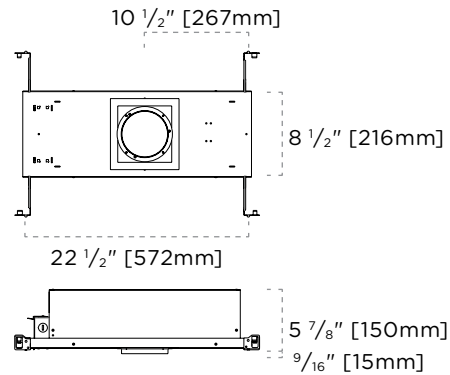
CEILING CUTOUT—TRIMMED & TRIMLESS



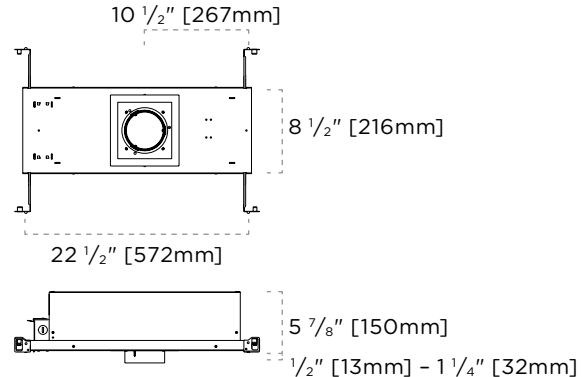
CEILING CUTOUT—WOOD TRIMLESS



DIMENSIONS—TRIMMED + APERTURE COLLAR



DIMENSIONS—WOOD TRIMLESS

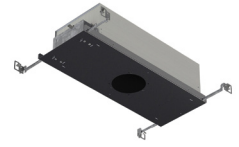


CERTIFICATIONS



Legacy Housings

D4B-IC1A-R | Standard LED



Round Insulated Airtight Type 1

TAG TYPE

--	--	--	--	--	--

ORDER FORM

1	2	3	4	5	6

1. HOUSING

D4B-IC1A-R

2. FLANGE TYPE¹

T Trimmed

TL Trimless

TLW-XX Trimless Wood Ceiling^{2,3}

3. SERIES¹

3 BRO 1000 Lumens Max

5 BRO 1800 Lumens Max

4. DIMMING

D DALI (1%)

LE Lutron Phase (1%)⁴

LH Lutron EcoSystem (1%)

P 0-10V Dimming (1%)

P1 eldoLED Dimming (1%)

S Phase Dimming (5%)⁴

5. VOLTAGE

120

277

347⁵

6. OPTIONS

BP Black Painted Interior

RCF Round Aperture Collar⁶

WP White Painted Interior

NOTES

1 Ensure trim compatibility prior to housing order. Conditions may apply.

2 TLW-XX wood trimless flange type is matched to trim finish. XX refers to trim finish code and must be specified at time of order. See trim spec sheet for color availability.

3 TLW-XX wood trimless ceiling thickness to be specified at time of order. Requires consultation with lighthouse sales personnel.

4 LE and S dimming is only available in 120V.

5 347V is only available in P dimming.

6 RCF option is not compatible with TLW-XX wood trimless ceiling.