

Legacy Housings

D4B-FEM-R | Standard LED

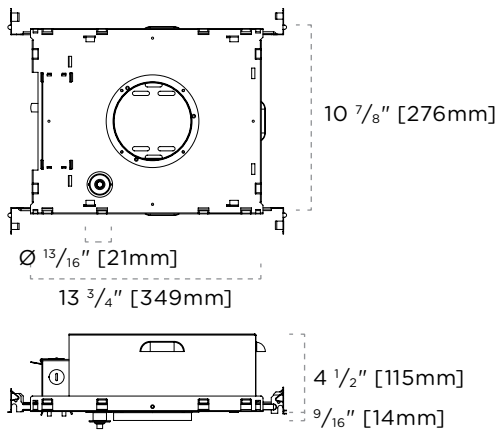
Round Non-Insulated Emergency

Proper illumination to exit a premises during a power failure is critical for safety. The Emergency Housing with integrated test button & driver with battery back provides up to 1000 initial lumens for 90 minutes.

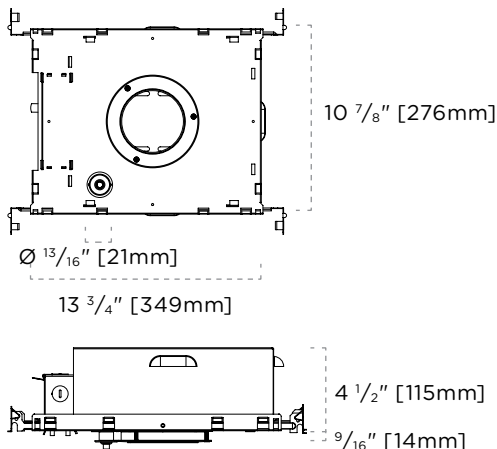
FEATURES

- Rated for non insulated ceilings to a max ambient temperature of 40°C (104°F)
- 6.4V DC LiFePO4 lithium iron phosphate backup battery
- 10W initial battery output while in emergency mode
- 12 hour battery recharge time
- 5 year battery life
- Bi-directional mounting
- 14"-25" adjustable hanger bars
- 18 Ga. galvanized steel junction box with multiple KO
- 20 Ga. black powder coated steel baseplate

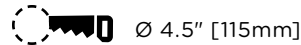
DIMENSIONS—TRIMMED + APERTURE COLLAR



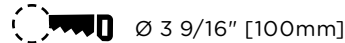
DIMENSIONS—TRIMLESS + APERTURE COLLAR



CEILING CUTOUT—TRIMMED & TRIMLESS



CEILING CUTOUT—WOOD TRIMLESS



PERFORMANCE SUMMARY

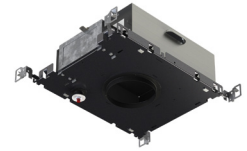
| | | |
|--------------------------|------|------|
| Color Rendering (CRI) | 80 | 90 |
| Battery Duration (Min) | 90 | |
| Lumen Series | 3 | |
| Source Lumens | 1000 | 800 |
| Initial Lumen Multiplier | 1.0 | |
| Lumen Series | 5 | |
| Source Lumens | 1800 | 1400 |
| Initial Lumen Multiplier | 0.65 | |
| Lumen Series | 7 | |
| Source Lumens | 2300 | 1800 |
| Initial Lumen Multiplier | 0.48 | |
| Lumen Series | 9 | |
| Source Lumens | 3000 | 2300 |
| Initial Lumen Multiplier | 0.45 | |

CERTIFICATIONS



Legacy Housings

D4B-FEM-R | Standard LED



Round Non-Insulated Emergency

TAG TYPE

| |
|--|
| |
|--|

ORDER FORM

| 1 | 2 | 3 | 4 | 5 | 6 |
|---|---|---|---|---|---|
| | | | | | |

1. HOUSING

D4B-FEM-R

2. FLANGE TYPE¹

T Trimmed

TL Trimless²

3. SERIES¹

3 BRO 1000 Lumens Max

5 BRO 1800 Lumens Max

7 BRO 2300 Lumens Max

9 BRO 3000 Lumens Max

4. DIMMING

P 0-10V Dimming (1%)

5. VOLTAGE

120

277

6. OPTIONS

BP Black Painted Interior

WP White Painted Interior

NOTES

1 Ensure trim compatibility prior to housing order. Conditions may apply.

2 TL is not available in 9 series.