

Legacy Housings

D4B-CP-S | Standard LED

Square Chicago Plenum

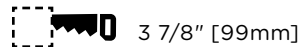
FEATURES

- Rated for non insulated ceilings to a max ambient temperature of 40°C (104°F)
- In accordance with CCEA (City of Chicago Environmental Air), Chicago electrical code section 18-27-300.22©
- 5 junction box knock outs
- Bi-directional mounting
- 14"-25" adjustable hanger bars
- 18 Ga. galvanized steel junction box with multiple KO
- 20 Ga. black powder coated steel baseplate

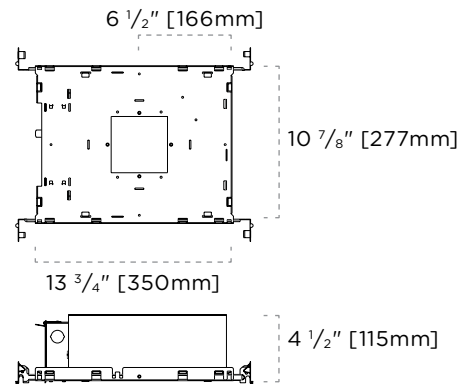
LISTINGS



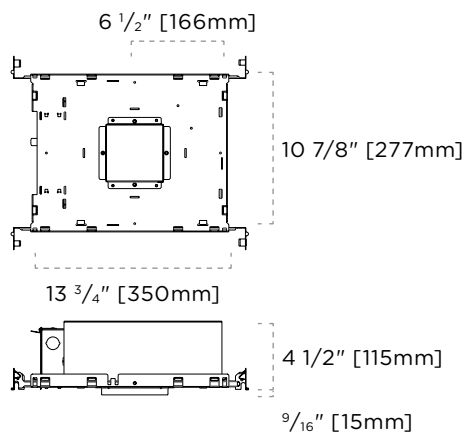
CEILING CUTOUT



DIMENSIONS—TRIM



DIMENSIONS—TRIMMED + APERTURE COLLAR



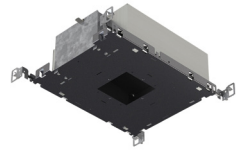
CERTIFICATIONS



Legacy Housings

D4B-CP-S | Standard LED

Square Chicago Plenum



TAG TYPE

--

ORDER FORM

1	2	3	4	5	6

1. HOUSING

D4B-CP-S

2. FLANGE TYPE¹

T Trimmed

3. SERIES¹

3 BRO 1000 Lumens Max

4. DIMMING

D DALI (1%)

LE Lutron Phase (1%)²

LH Lutron EcoSystem (1%)

P 0-10V Dimming (1%)

P1 eldoLED Dimming (1%)

S Phase Dimming (5%)³

5. VOLTAGE

120

277

6. OPTIONS

SCF Square Aperture Collar

BP Black Painted Interior

WP White Painted Interior

NOTES

1 Ensure trim compatibility prior to housing order. Conditions may apply.

2 LE dimming is only compatible with 120V.

3 S dimming is non-dimming when paired with 277V.