

Legacy Housings

2-100 | Incandescent

Round Concrete Pour

FEATURES

- Rated for concrete applications
- 14"-25" adjustable hanger bars
- 20 Ga. cold rolled steel baseplate
- 18 Ga. galvanized steel junction box
- 5 junction box knock outs
- Hinged lid
- MR16 porcelain Bi Pin socket type GX5.3
- MR16 low voltage (12V) lamp sold separately
- GU10 line voltage (120V) lamp sold separately
- Approved for branch circuit wiring

CEILING CUTOUT

Ø 4 1/2" [115mm]

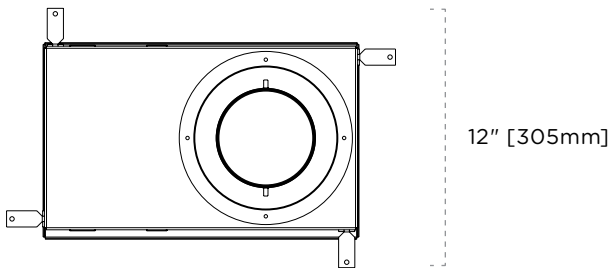
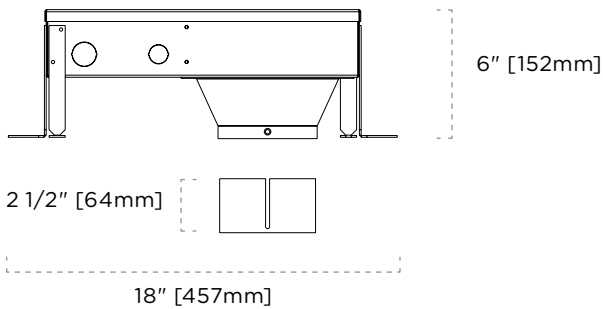
PERFORMANCE SUMMARY

Lamp	Series	Input Voltage		
		120V	277V	347V
		Maximum Wattage		
MR16	Magnetic Transformer	75W	75W	75W
MR16	Electronic Transformer	75W	75W	—
MR16	E15 Electronic Transformer	15W	15W	—
GU10	GU10 Halogen Lamp	50W	—	—
GU10	GU10 LED Lamp	15W	—	—

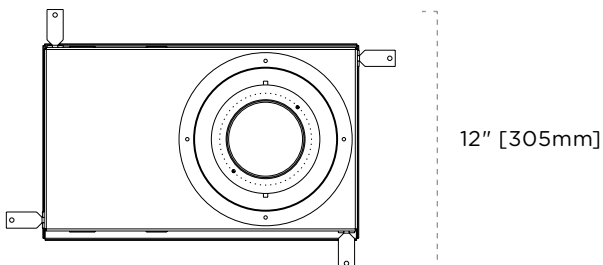
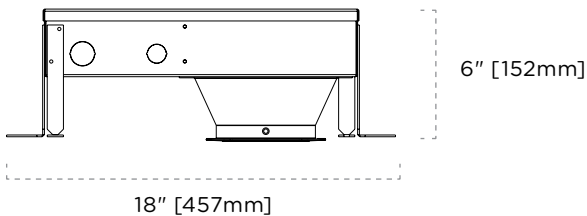
CERTIFICATIONS



DIMENSIONS—INSULATED



DIMENSIONS—AIRTIGHT INSULATED



Legacy Housings

2-100 | Incandescent

Round Concrete Pour



TAG TYPE

--

ORDER FORM

1	2	3	4	5

1. HOUSING

2-100 Round

2. HOUSING TYPE

CH Concrete Pour

3. TRANSFORMER

E MR16 Electronic Transformer
(Halogen Lamp)

E15 MR16 Electronic Transformer
(Halogen Replacement Lamp)¹

M MR16 Magnetic Transformer

GU10-HAL GU10 Halogen Lamp

GU10-LED GU10 LED²

4. VOLTAGE

120

277

347³

5. OPTIONS

BP Black Painted Interior

EC2 2 1/2" Extension Collar

WP White Painted Interior

NOTES

1 E15 transformer option is compatible with select Soraa lamps. Check Soraa compatibility charts for transformer voltage, lamp wattage, dimming and enclosed fixture restrictions.

2 GU10-LED is compatible with GU10 LED lamp, rated for a maximum 15W, sold separately.

3 347 voltage is only available with M magnetic transformer.