



Wall Lights

2-075 | Incandescent

SS Wall Light Enclosure

This enclosure is designed to provide a subtle pathway for lighting. With numerous options for remote or integral drivers, it can be mounted in insulated or non-insulated walls and concrete pour wall installations.

FEATURES

- 20 Ga. cold rolled steel baseplate
- Integrated electronic transformer
- Concrete pour installation option available

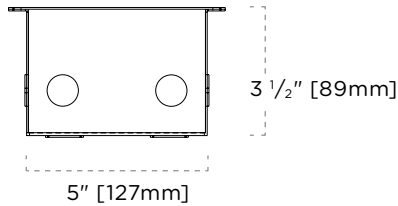
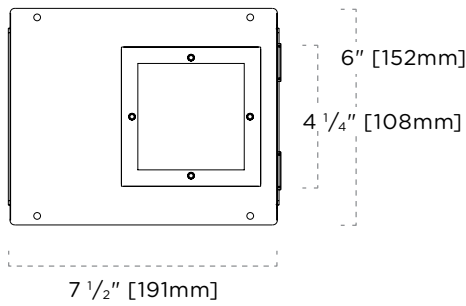
PERFORMANCE SUMMARY

| Housing Type | Housing Box | Halogen | Xenon |
|---------------|-------------|---------|-------|
| Non-Insulated | ✓ | 20W | 20W |
| Insulated | ✓ | 10W | 20W |
| Concrete | ✓ | 20W | 20W |

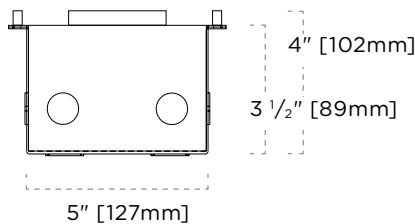
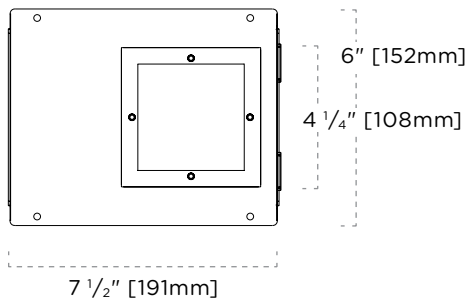
CERTIFICATIONS



NON-INSULATED & INSULATED



CONCRETE POUR



Wall Lights

2-075 | Incandescent

SS Wall Light Enclosure



TAG TYPE

| |
|--|
| |
|--|

ORDER FORM

| 1 | 2 | 3 |
|---|---|---|
| | | |

1. HOUSING

2-075 Wall Light Enclosure

2. HOUSING TYPE

WL Insulated & Non-Insulated

WL-CH Concrete Pour

3. VOLTAGE

120

277