



Wall Lights

2-074 | Standard LED

7W Wall Light Enclosure

The enclosure is an extruded aluminum wall box designed with an integral 7W LED module. With numerous options for remote or integral drivers, it can be mounted in insulated or non-insulated walls and is also approved for concrete pour wall installations.

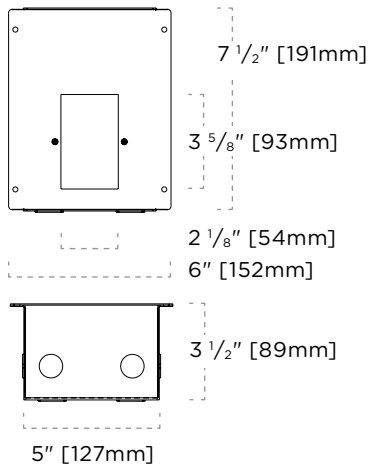
FEATURES

- Utilizes 2-350 series trim
- Concrete wall installation option available

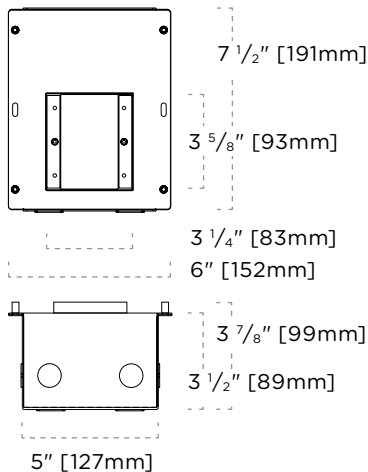
CERTIFICATIONS



NON-INSULATED & INSULATED



CONCRETE POUR



Wall Lights

2-074 | Standard LED

7W Wall Light Enclosure



TAG TYPE

| |
|--|
| |
|--|

ORDER FORM

| 1 | 2 | 3 | 4 |
|---|---|---|---|
| | | | |

1. HOUSING

2-074 Wall Light Enclosure

2. HOUSING TYPES

WL Non-Insulated & Insulated

WL-CH Concrete Housing

3. VOLTAGE

120¹

277

4. DIMMING

L Lutron 3-Wire (1%)

LE Lutron Phase (1%)¹

LH Lutron EcoSystem (1%)

P 0-10V Dimming (10%)

S ELV Dimming (10%)¹

NOTES

1 120 voltage is only available with S and LE dimming.