

Legacy Housings

2-025 | Incandescent

Square Non-Insulated

FEATURES

- Rated for non-insulated ceilings
- 14"–25" adjustable hanger bars
- 20 Ga. cold rolled steel baseplate
- 18 Ga. galvanized steel junction box
- 5 junction box knock outs
- MR16 porcelain Bi Pin socket type GX5.3
- MR16 low voltage (12V) lamp sold separately
- GU10 line voltage (120V) lamp sold separately
- Over lamping protection
- Transformer accessible through the ceiling
- Approved for branch circuit wiring

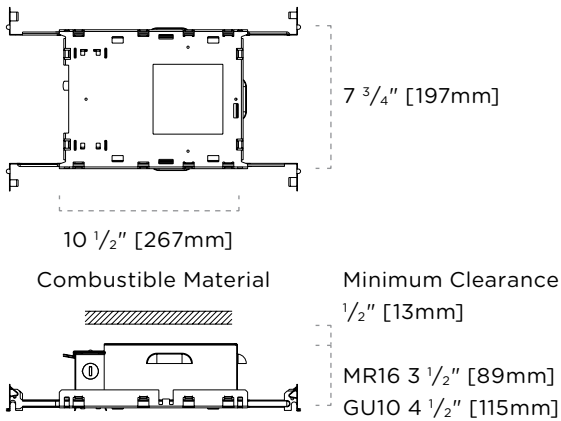
CEILING CUTOUT

3 7/8" [99mm] X 3 7/8" [99mm]

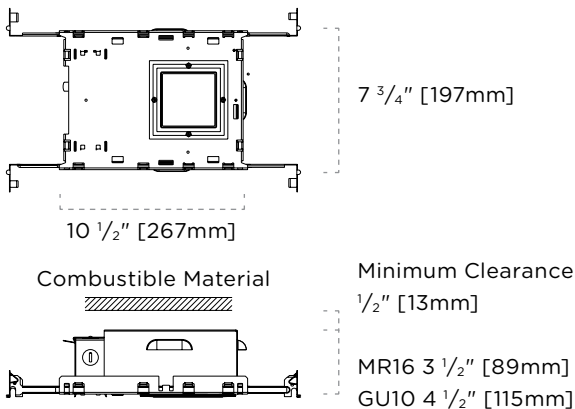
PERFORMANCE SUMMARY

Lamp	Series	Input Voltage		
		120V	277V	347V
		Maximum Wattage		
MR16	Magnetic Transformer	50W	50W	50W
MR16	Electronic Transformer	37W	37W	—
MR16	E15 Electronic Transformer	15W	15W	—
MR16	Magnetic Potted, Epoxy Encapsulated Transformer	50W	—	—
GU10	GU10 Halogen Lamp	50W	—	—
GU10	GU10 LED Lamp	15W	—	—

DIMENSIONS—TRIMMED



DIMENSIONS—TRIMLESS



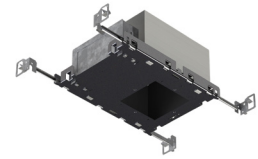
CERTIFICATIONS



Legacy Housings

2-025 | Incandescent

Square Non-Insulated



TAG TYPE

--

ORDER FORM

1	2	3	4	5

1. HOUSING

2-025 Square

2. HOUSING TYPE

F-Q Non-Insulated

F-Q-TL Trimless Non-Insulated

3. SERIES

E MR16 Electronic Transformer
(Halogen Lamp)

E15 MR16 Electronic Transformer
(Halogen Replacement Lamp)¹

M MR16 Magnetic Transformer

MPT MR16 Magnetic Potted
Transformer²

GU10-HAL GU10 Halogen Lamp

GU10-LED GU10 LED³

4. VOLTAGE

120

277

347⁴

5. OPTIONS

BP Black Painted Interior

WP White Painted Interior

NOTES

1 E15 transformer is rated for a maximum 15W, lamp sold separately. Ensure lamp and dimmer compatibility with lamp manufacturer.

2 MPT transformer option is available in 120 voltage and increases housing height to 4.5".

3 GU10-LED is rated for a maximum 15W, lamp sold separately.

4 347 voltage is only available with M magnetic transformer.