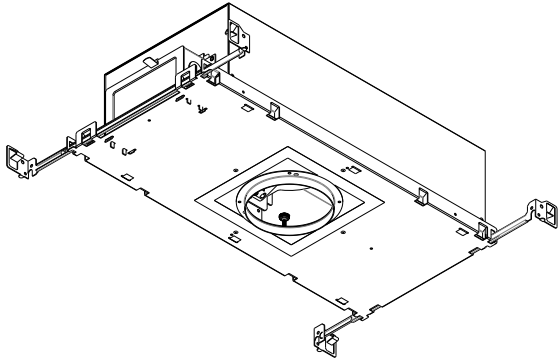


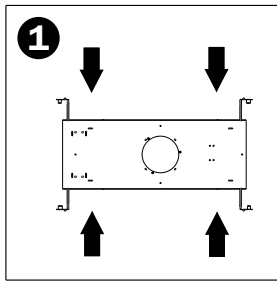
Install Guide



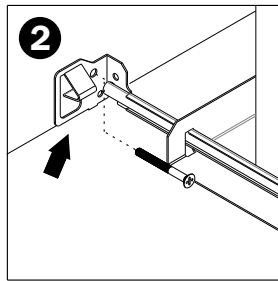
L4X-IC1A-R*-T HOUSING SERIES XTM IC HOUSING

This product must be installed in accordance with the applicable code by a person familiar with the construction and operation of the product and the hazards involved. Read all of these instructions before installing.

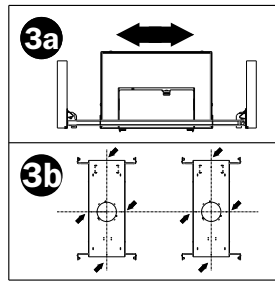
WARNING: Disconnect power prior to servicing or installing.



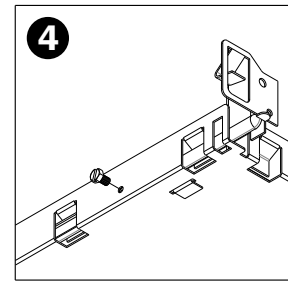
Slide hanging bars onto housing base plate



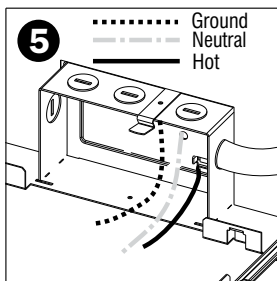
Line up bottom edge of hanging bars with bottom of wood joist and hammer in tabs. Nail or screw hanging bars into place



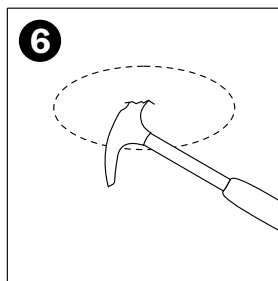
3a – Position trim hole to desired location by sliding housing
3b – Use centering holes on either side of housing base plate to line up a row of fixtures



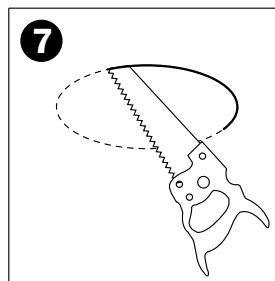
To secure housing, install sheet metal screws as required to lock hanger bars in place. Screws by others.



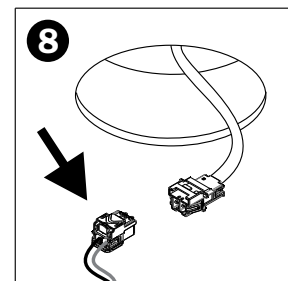
Remove knock out and make appropriate electrical connection. **See Dimming Instruction Diagram**



Mark approximate fixture location in ceiling



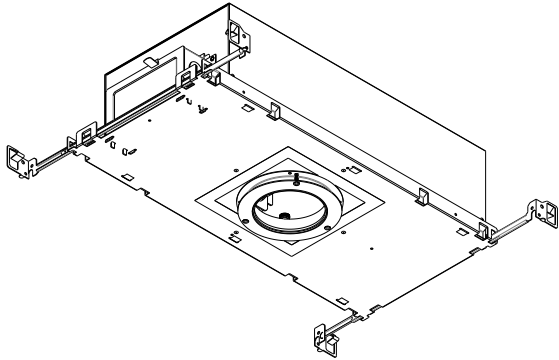
Cut open using trim hole as your guide



Connector hangs through hole until completion. Mate connectors, and then lock with RED assurance pin.



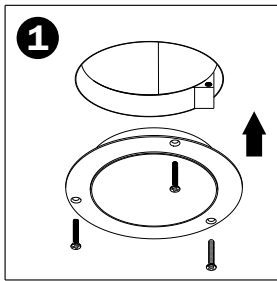
Install Guide



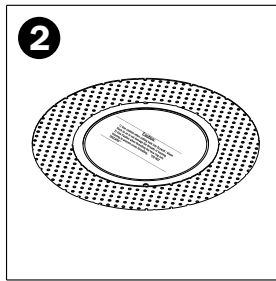
L4X-IC1A-R*-TL HOUSING SERIES XTM IC HOUSING

This product must be installed in accordance with the applicable code by a person familiar with the construction and operation of the product and the hazards involved. Read all of these instructions before installing.

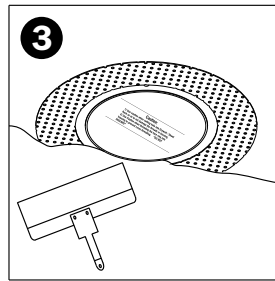
WARNING: Disconnect power prior to servicing or installing.



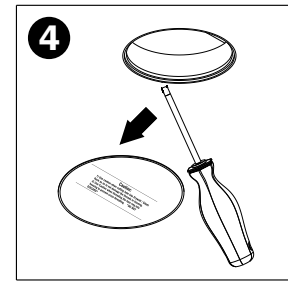
After drywall is cutout, cut notches to expose mounting holes on housing baseplate and install trimless frame with screws provided



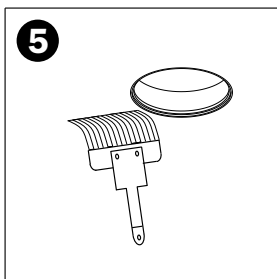
Apply factory supplied fibre mesh over trim collar edge. Insert cardboard cover into opening



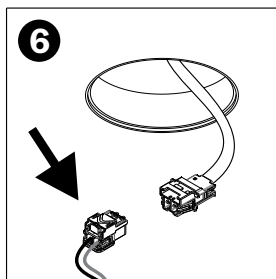
Apply thin coat of plaster mud onto trim collar and fibre mesh, using collar lip as the height guide. For best results feather mud 12" from edge of lip



Remove cardboard cover. Use a small screwdriver to clean the inside lip of the trim collar of any excess drywall mud



Paint ceiling. Excess paint on inside edge of ring may restrict the trim from sitting flat



Connector hangs through hole until completion. Mate connectors, and then lock with RED assurance pin.

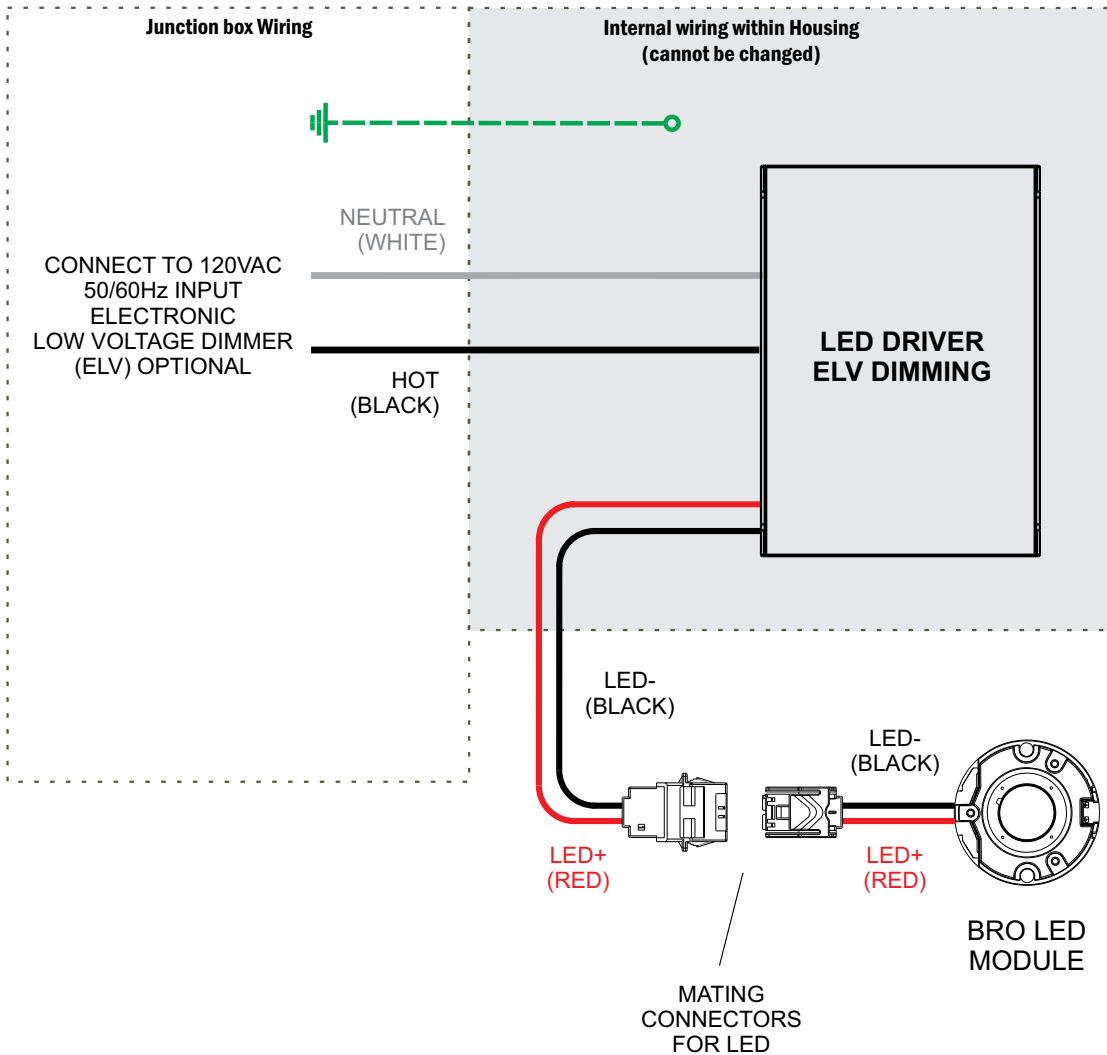


Install Guide

(S) XTM ELV DIMMING INSTRUCTION

WARNING:

ENSURE FIXTURE IS SWITCHED **OFF** BEFORE CONNECTING LED PRODUCT.
FAILURE TO DO SO WILL CAUSE **IMMEDIATE LED FAILURE**

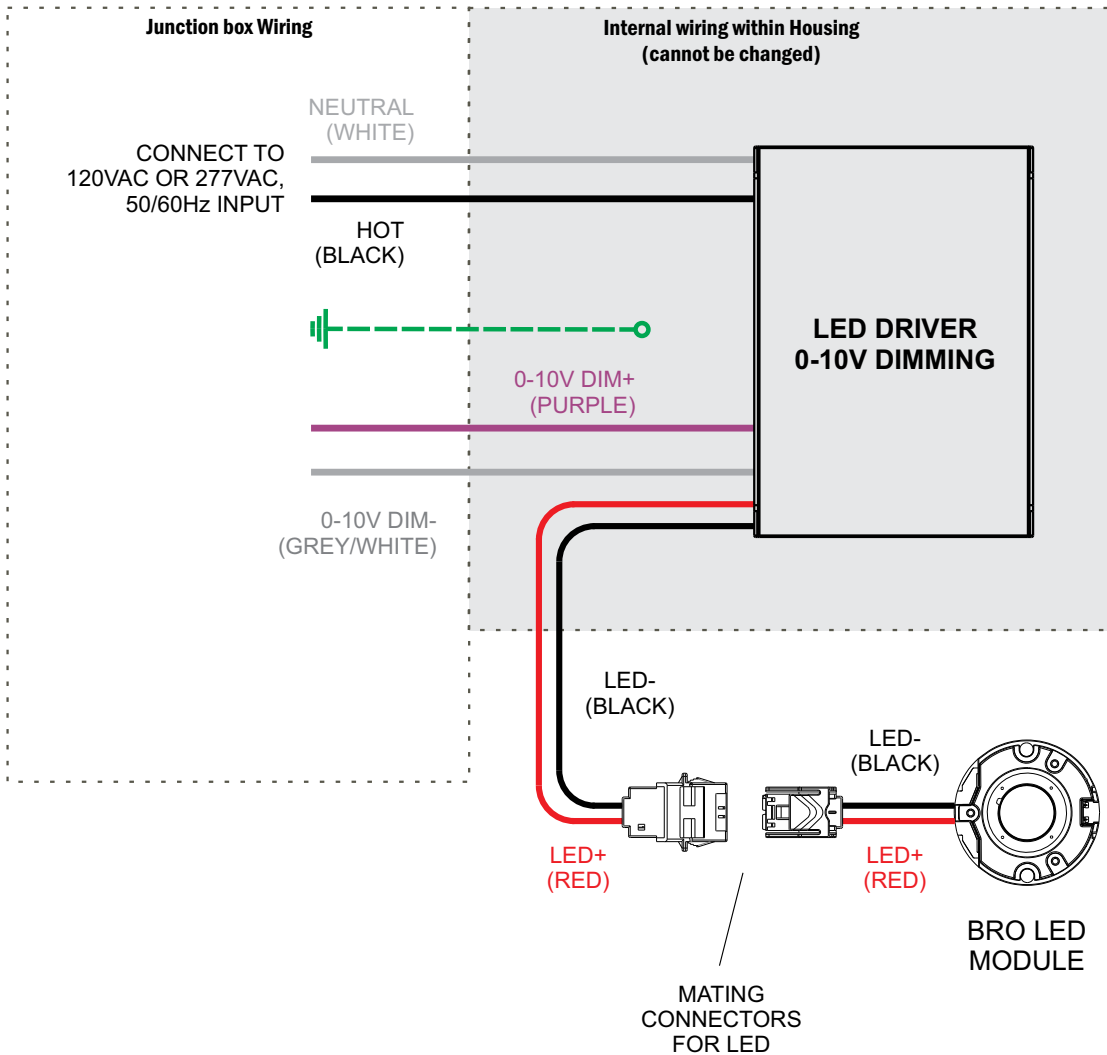


Install Guide

(P & P1) XTM 0-10V DIMMING INSTRUCTION

WARNING:

ENSURE FIXTURE IS SWITCHED **OFF** BEFORE CONNECTING LED PRODUCT.
FAILURE TO DO SO WILL CAUSE **IMMEDIATE LED FAILURE**

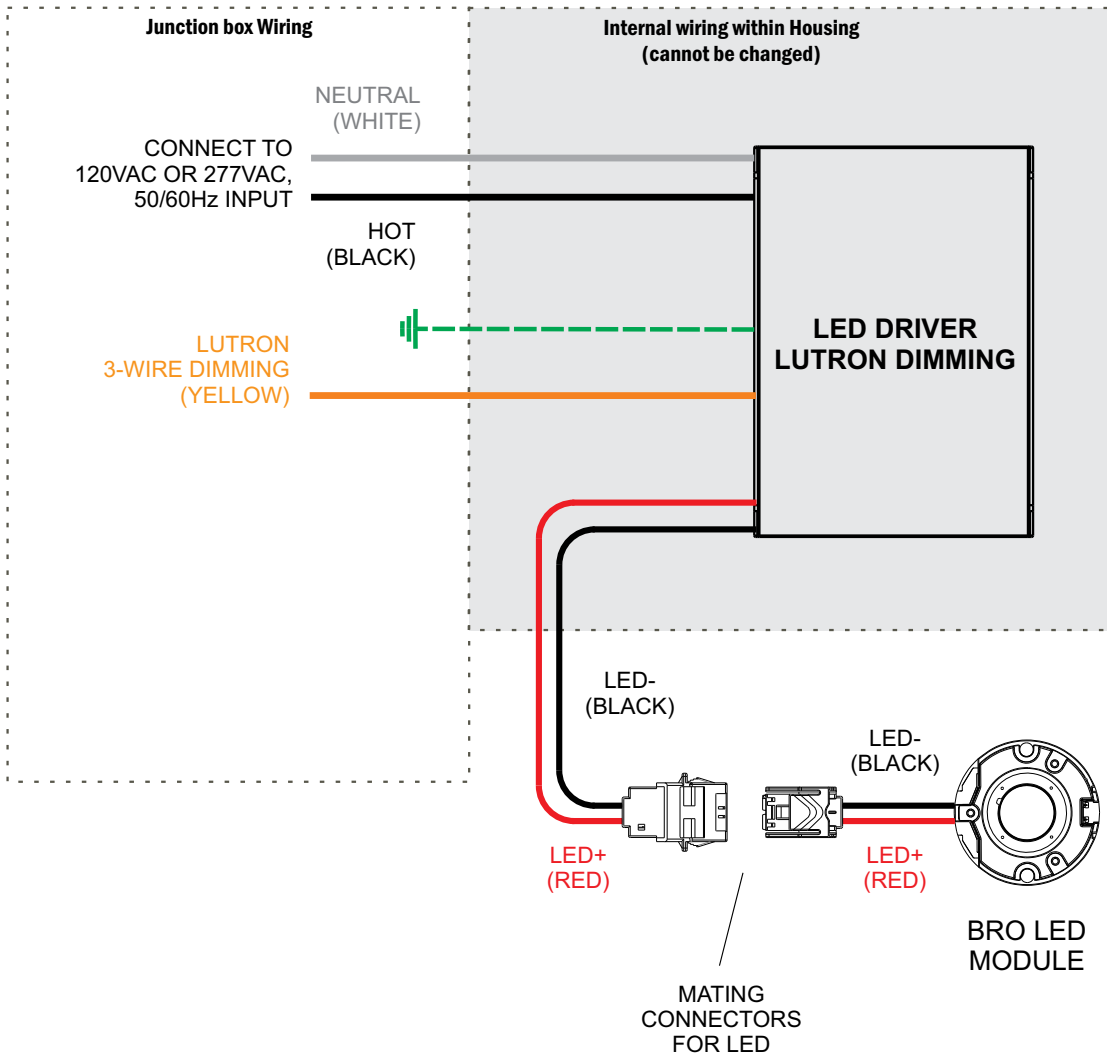


Install Guide

(L) XTM LUTRON 3-WIRE DIMMING INSTRUCTION

WARNING:

ENSURE FIXTURE IS SWITCHED **OFF** BEFORE CONNECTING LED PRODUCT.
FAILURE TO DO SO WILL CAUSE **IMMEDIATE LED FAILURE**

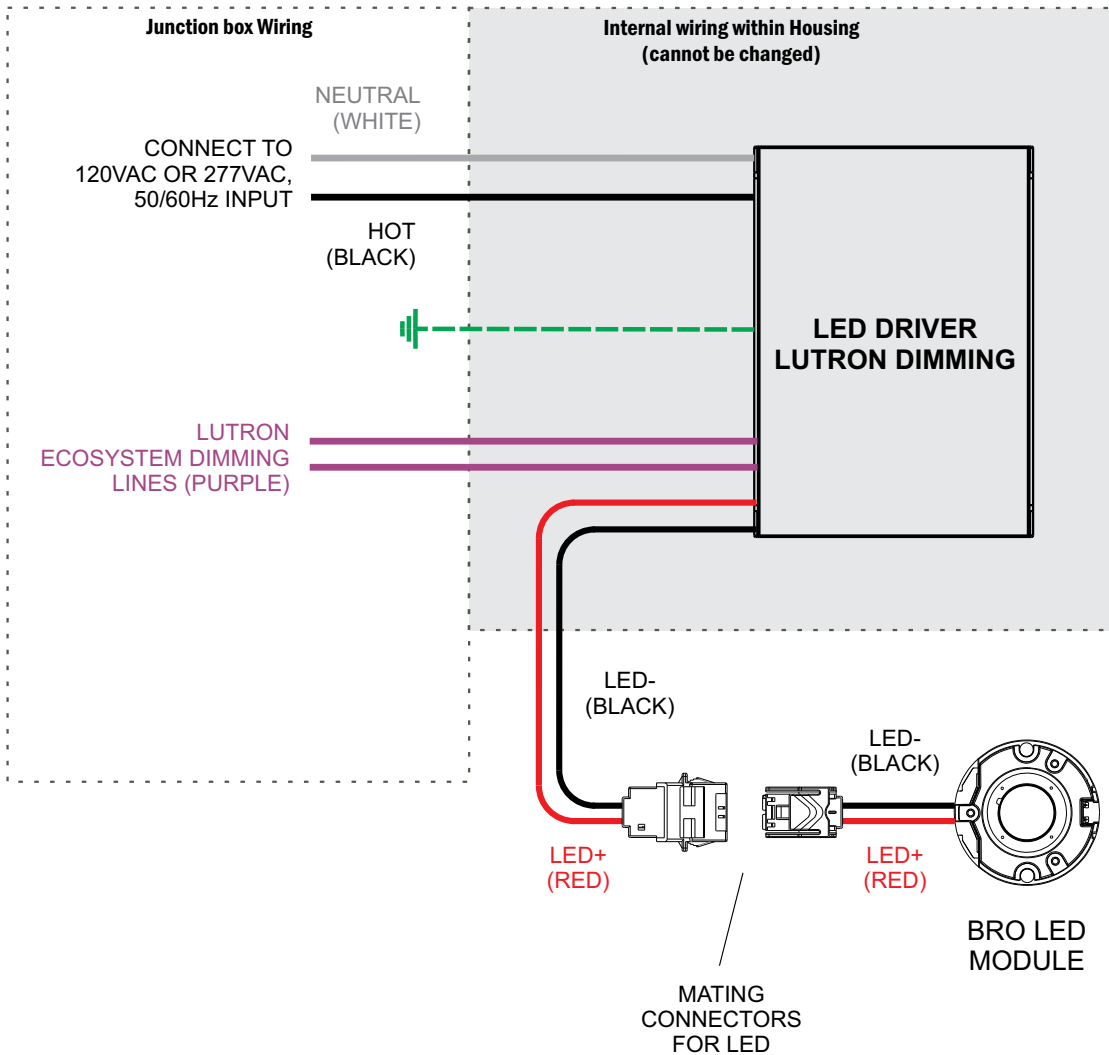


Install Guide

(LH) XTM LUTRON ECOSYSTEM DIMMING INSTRUCTION

WARNING:

ENSURE FIXTURE IS SWITCHED **OFF** BEFORE CONNECTING LED PRODUCT.
FAILURE TO DO SO WILL CAUSE **IMMEDIATE LED FAILURE**

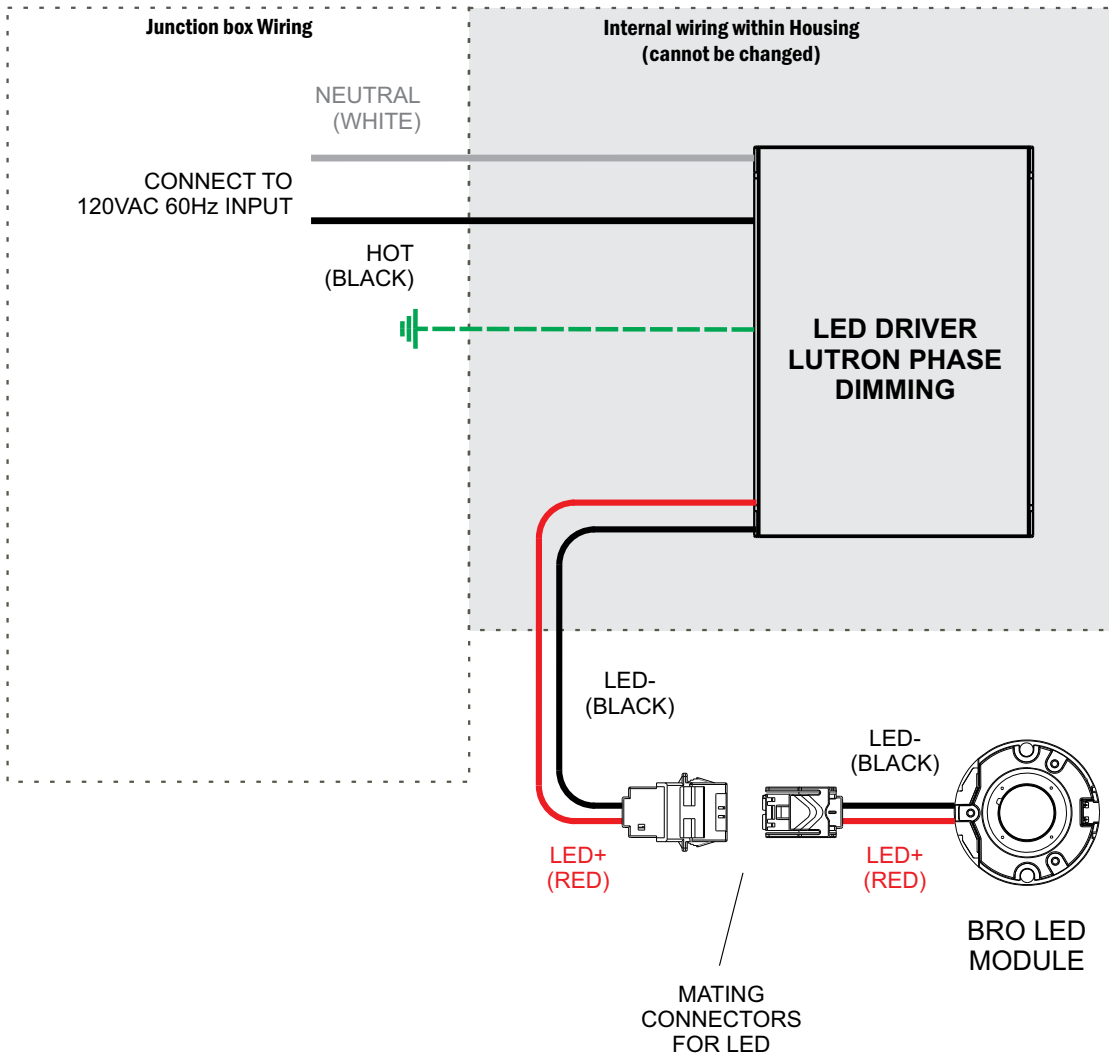


Install Guide

(LE) XTM LUTRON PHASE DIMMING INSTRUCTION

WARNING:

ENSURE FIXTURE IS SWITCHED **OFF** BEFORE CONNECTING LED PRODUCT.
FAILURE TO DO SO WILL CAUSE **IMMEDIATE LED FAILURE**



Install Guide

(D) XTM DALI DIMMING INSTRUCTION

WARNING:

ENSURE FIXTURE IS SWITCHED **OFF** BEFORE CONNECTING LED PRODUCT.
FAILURE TO DO SO WILL CAUSE **IMMEDIATE LED FAILURE**

