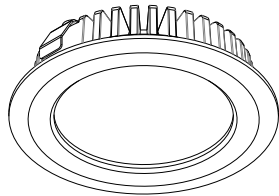


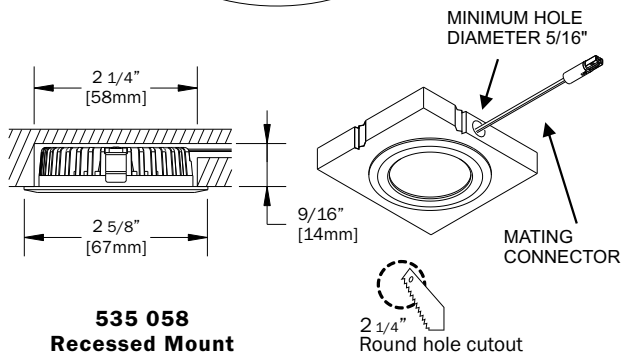
Install Guide

535-058/078 LED PUCK LIGHT



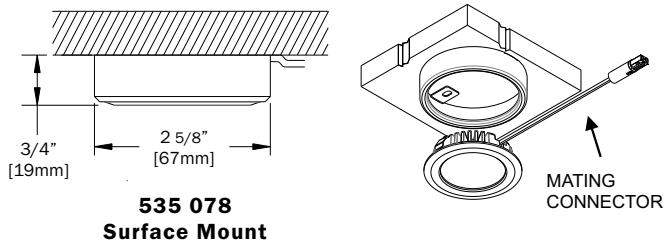
Caution: Ensure Power Supply is switched **OFF** before connecting LED. Failure to do so will cause **IMMEDIATE LED FAILURE**.

Wiring must be connected as noted in diagrams below. Failure to follow instruction provided will result in damage to luminaire.



CAUTION TO INSTALLER:

- ◆ This LED device is polarity sensitive with mating connectors
- ◆ Do not remove or temper with connectors
- ◆ Approved for blind hole applications (Router fit)
- ◆ Certified as stand alone luminaire
- ◆ For use with approved LED power supply with matching receptacle



BRAND	PRODUCT NUMBER	MAXIMUM NUMBER OF LED
Leviton	IPL06-10Z	72
Leviton	DSE06-10Z	72
Lutron	DVCL-153P-xx	36
Lutron	MSCL-OP153M-xx	36
Lutron	MACL-153M-xx	36
Lutron	CTCL-153P-xx	36

